



Orbix®

CICS Adapters Administrator's
Guide

Version 6.2, May 2005

IONA Technologies PLC and/or its subsidiaries may have patents, patent applications, trademarks, copyrights, or other intellectual property rights covering subject matter in this publication. Except as expressly provided in any written license agreement from IONA Technologies PLC, the furnishing of this publication does not give you any license to these patents, trademarks, copyrights, or other intellectual property. Any rights not expressly granted herein are reserved.

IONA, IONA Technologies, the IONA logo, Orbix, Orbix Mainframe, Orbix Connect, Artix, Artix Mainframe, Artix Mainframe Developer, Mobile Orchestrator, Orbix/E, Orbacus, Enterprise Integrator, Adaptive Runtime Technology, and Making Software Work Together are trademarks or registered trademarks of IONA Technologies PLC and/or its subsidiaries.

Java and J2EE are trademarks or registered trademarks of Sun Microsystems, Inc. in the United States and other countries. CORBA is a trademark or registered trademark of the Object Management Group, Inc. in the United States and other countries. All other trademarks that appear herein are the property of their respective owners.

IONA Technologies PLC makes no warranty of any kind to this material including, but not limited to, the implied warranties of merchantability and fitness for a particular purpose. IONA Technologies PLC shall not be liable for errors contained herein, or for incidental or consequential damages in connection with the furnishing, performance or use of this material.

While the information in this publication is believed to be accurate, IONA Technologies PLC makes no warranty of any kind to this material including, but not limited to, the implied warranties of merchantability and fitness for a particular purpose. IONA shall not be liable for errors contained herein, or for incidental or consequential damages in connection with the furnishing, performance or use of this material.

COPYRIGHT NOTICE

No part of this publication may be reproduced, stored in a retrieval system or transmitted, in any form or by any means, photocopying, recording or otherwise, without prior written consent of IONA Technologies PLC. No third-party intellectual property right liability is assumed with respect to the use of the information contained herein. IONA Technologies PLC assumes no responsibility for errors or omissions contained in this publication. This publication and features described herein are subject to change without notice.

Copyright © 2005 IONA Technologies PLC. All rights reserved.

All products or services mentioned in this publication are covered by the trademarks, service marks, or product names as designated by the companies that market those products."

Updated: 20-Dec-2006

Contents

List of Figures	ix
List of Tables	xi
Preface	xiii

Part 1 Introduction

Chapter 1 Introduction to CORBA and Orbix	3
Overview of CORBA	4
Why CORBA?	5
CORBA Objects	7
The ORB	9
CORBA Application Basics	10
Overview of Orbix	13
Simple Orbix Application	14
Broader Orbix Environment	17
Chapter 2 Introduction to the CICS Adapters	19
Overview of the CICS Server Adapter	21
Role of the CICS Server Adapter	22
CICS Server Adapter Processing of IDL Operations	25
The CICS Server Adapter cicsraw Interface	26
Unsupported IDL Types	34
Overview of the Client Adapter	35

Part 2 Configuring the CICS Server Adapter and the Orbix Runtime Inside CICS

Chapter 3 Introduction to CICS Server Adapter Configuration	41
A CICS Server Adapter Sample Configuration	42
Configuration Summary of Adapter Plug-Ins	46
Chapter 4 CICS Server Adapter Service Configuration Details	57
Chapter 5 Configuring the CICS Server Adapter EXCI Plug-In	67
Setting Up EXCI for the CICS Server Adapter	68
Installing Support for IRC for the External Call Interface	69
Installing Sample Orbix CICS Resource Definitions	70
Updating Access Permissions for CICS Resources	71
EXCI Plug-In Configuration Items	72
Chapter 6 Configuring the CICS Server Adapter APPC Plug-In	75
Setting Up APPC for the CICS Server Adapter	76
Defining LUs to APPC	77
Defining an APPC Destination Name for the CICS LU	78
Defining LUs to VTAM	80
Defining the Required Resources to CICS	82
Additional RACF Customization Steps for APPC	83
Bind Time Security with APPC	84
Protecting LUs	86
Link Security & User Security with APPC	87
APPC Plug-In Configuration Items	88
Chapter 7 Configuring the CICS Server Adapter RRS Plug-In	91
Introduction to RRS	92
Setting up RRS for the CICS Server Adapter	93
RRS Plug-In Configuration Items	100

Chapter 8	Configuring the CICS Server Adapter for Client Principals	101
	Activating Client Principal Support	103
	Setting up the Required Privileges	107
	Additional Requirements for CICS Protocol Plug-Ins	109
Chapter 9	Configuring the Orbix Runtime inside CICS	113
	Customizing CICS	114
	Customizing Orbix Event Logging	116
Chapter 10	IDL Compiler Configuration	119
 Part 3 Configuring the Client Adapter and the Orbix Runtime Inside CICS		
Chapter 11	Introduction to Client Adapter Configuration	125
	A Client Adapter Sample Configuration	126
	Configuration Summary of Client Adapter Plug-Ins	129
Chapter 12	Client Adapter General Configuration	133
Chapter 13	Configuring the Client Adapter AMTP_APPC Plug-in	137
	Setting Up APPC for the Client Adapter	138
	Defining LUs to APPC	139
	Defining an APPC Destination Name for the Client Adapter	142
	Defining LUs to VTAM	145
	Defining the Required Resources to CICS	150
	Additional RACF Customization Steps for APPC	151
	LU-to-LU Security Verification	152
	Protecting LUs	154
	AMTP_APPC Plug-In Configuration Items	155
Chapter 14	Configuring the Client Adapter Subsystem	157

Chapter 15	Configuring the Orbix Runtime inside CICS	161
	Customizing CICS	162
	Customizing Orbix Configuration	164
	Customizing Orbix Event Logging	166
	Customizing Orbix Maximum Segment Size	168
	Customizing Orbix APPC Symbolic Destination	169

Part 4 Securing and Using the CICS Server Adapter

Chapter 16	Securing the CICS Server Adapter	173
	Security Configuration Items	174
	Common Security Considerations	181
	EXCI-Based Security Considerations	184
	CICS Security Mechanisms when Using EXCI	185
	Orbix CICS Server Adapter Security Modes for EXCI	188
	APPC-Based Security Considerations	191
	CICS Security Mechanisms when Using APPC	192
	Orbix CICS Server Adapter Security Modes for APPC	198
Chapter 17	Mapping IDL Interfaces to CICS	199
	The Mapping File	200
	Characteristics of the Mapping File	201
	Generating a Mapping File	203
	Using the IFR as a Source of Type Information	206
	Introduction to Using the IFR	207
	Registering IDL interfaces with the IFR	209
	Informing CICS Server Adapter of a New Interface in the IFR	212
	Using an IFR Signature Cache file	214
	Using type_info store as a Source of Type Information	216
	Introduction to Using a type_info Store	217
	Generating type_info Files using the IDL Compiler	219
	Informing CICS Server Adapter of a new type_info Store File	221

Chapter 18 Using the CICS Server Adapter	223
Preparing the Server Adapter	225
Starting the Server Adapter	229
Stopping the CICS Server Adapter	231
Running Multiple Server Adapters Simultaneously	232
Using the MappingGateway Interface	234
Locating CICS Server Adapter Objects Using itmfaloc	237
Adding a Portable Interceptor to the CICS Server Adapter	240
Developing the Portable Interceptor	241
Compiling the Portable Interceptor	246
Loading the Portable Interceptor into the CICS Server Adapter	248
Enabling the GIOP Request Logger Interceptor	251
Gathering Accounting Information in the Server Adapter	253
Developing the Accounting DLL	254
Compiling the Accounting DLL	258
Loading the Accounting DLL into the Server Adapter	259
Exporting Object References at Runtime	260
Configuration Items for Exporting Object References	261
Exporting Object References to a File	265
Exporting Object References to Naming Service Context	266
Exporting Object References to Naming Service Object Group	268

Part 5 Securing and Using the Client Adapter

Chapter 19 Securing the Client Adapter	275
Security Configuration Items	276
Common Security Considerations	281
APPC Security Considerations	283
Chapter 20 Using the Client Adapter	289
Starting the Client Adapter	290
Stopping the Client Adapter	292
Running Multiple Client Adapters Simultaneously	293
Load Balancing with Multiple Client Adapters	294
Running Two Client Adapters on the Same z/OS Host	296

Part 6 Appendices

Appendix A	Troubleshooting	301
Appendix B	Glossary of Acronyms	305
Index		309

List of Figures

Figure 1: The Nature of Abstract CORBA Objects	7
Figure 2: Role of the ORB in the Basic CORBA Model	9
Figure 3: Invoking on a CORBA Object	11
Figure 4: Overview of a Simple Orbix Application	14
Figure 5: Graphical Overview of the Role of the CICS Server Adapter	23
Figure 6: Graphical Overview of the Role of the Client Adapter	37
Figure 7: CICS Security Mechanisms for EXCI-Based Server Adapter	185
Figure 8: CICS Security Mechanisms for APPC-Based Server Adapter	193
Figure 9: Graphical Overview of a Load Balancing Scenario	294
Figure 10: Running Two Client Adapters on the Same z/OS Host	297

LIST OF FIGURES

List of Tables

Table 1: Initial and Maximum Log Stream Sizes	95
Table 2: Client Principal Support and cicsa Plug-In Configuration Items	104
Table 3: Event Logging Settings for the CICS Server Adapter	116
Table 4: Server Adapter Mapping Member Configuration Settings	121
Table 5: S390 Assembler Program Variables and Default Values	165
Table 6: Event Logging Settings for the Client Adapter	166
Table 7: Summary of user IDs used for the CICS Security Checks	189
Table 8: APPC LU Security System Base LU Keyword Definitions	284
Table 9: APPC LU Security Client Adapter LU Keyword Definitions	284
Table 10: Glossary of Acronym Extensions	305

LIST OF TABLES

Preface

Orbix is a full implementation from IONA Technologies of the Common Object Request Broker Architecture (CORBA), as specified by the Object Management Group. Orbix complies with the following specifications:

- CORBA 2.6
- GIOP 1.2 (default), 1.1, and 1.0

Orbix Mainframe is IONA's implementation of the CORBA standard for the z/OS platform. Orbix Mainframe documentation is periodically updated. New versions between releases are available at <http://www.iona.com/docs>.

Support

If you need help with this or any other IONA products, contact IONA at support@iona.com. Comments on IONA documentation can be sent to docs-support@iona.com.

Audience

This guide is intended for CICS system programmers who want to configure, secure, and use the CICS server adapter and client adapter that are supplied with Orbix Mainframe. It is assumed that the reader is familiar with the basic concepts of CORBA 2.6 and CICS administration.

Related Documentation

Orbix Mainframe documentation includes the following related guides:

- *IMS Adapters Administrator's Guide*
- *COBOL Programmer's Guide and Reference*
- *PL/I Programmer's Guide and Reference*
- *CORBA Programmer's Guide, C++*
- *CORBA Programmer's Reference, C++*
- *CORBA Administrator's Guide*

- *Mainframe Security Guide*
- *Mainframe Migration and Upgrade Guide*
- *Mainframe Management Guide*
- *Mainframe CORBA Concepts Guide*
- *Mainframe OTS Guide*
- *Artix Transport User's Guide*

The *Orbix CICS Adapter Programmer's Guide*, which is based on Orbix 2.3.x rather than Orbix Mainframe 6.x, is also a useful reference. For migration issues refer to the *Mainframe Migration Guide*.

For the latest version of all IONA product documentation, see the IONA web site at: <http://www.iona.com/support/docs>

Organization of This Guide

This guide is divided into the following parts:

Part 1, "Introduction"

This part introduces Common Object Request Broker Architecture (CORBA), and Orbix, IONA's implementation of CORBA. It also introduces the CICS server adapter, which is an Orbix server that can connect with CICS; and the client adapter, which enables CICS transactions to connect to CORBA servers running on various platforms.

Part 2, "Configuring the CICS Server Adapter and the Orbix Runtime Inside CICS"

This part describes how to configure the CICS server adapter and the Orbix runtime inside CICS.

Part 3, "Configuring the Client Adapter and the Orbix Runtime Inside CICS"

This part explains security considerations for the CICS server adapter, and how the server adapter can be used as a bridge between CORBA based messages and CICS programs. It also describes how IDL operation signatures are mapped via the CICS server adapter to CICS.

Part 4, "Securing and Using the CICS Server Adapter"

This part describes how to configure the Orbix Mainframe client adapter and the Orbix runtime inside CICS.

Part 5, “Securing and Using the Client Adapter”

This part explains security considerations for the client adapter, and how the client adapter can be used as a bridge between CORBA based messages and CICS programs.

Appendix A, “Troubleshooting”

This chapter provides an overview of the `MCLOOKUP` utility that can be used for troubleshooting.

Appendix B, “Glossary of Acronyms”

This glossary provides an expansion for each of the acronyms used in this guide.

Additional Related Resources

The IONA knowledge base contains helpful articles, written by IONA experts, about the Orbix Mainframe, and other products. You can access the knowledge base at the following location:

http://www.iona.com/support/knowledge_base/index.xml

The IONA update center contains the latest releases, and patches for IONA products:

<http://www.iona.com/support/updates/index.xml>

Typographical Conventions

This guide uses the following typographical conventions:

Constant width	Constant width (courier font) in normal text represents portions of code, and literal names of items such as classes, functions, variables, and data structures. For example, text might refer to the <code>CORBA::Object</code> class. Constant width paragraphs represent code examples or information a system displays on the screen. For example: <code>#include <stdio.h></code>
<i>Italic</i>	Italic words in normal text represent <i>emphasis</i> and <i>new terms</i> .
<i>Code italic</i>	Italic words or characters in code and commands represent variable values that you must supply; for example: <code>install-dir/etc/domains</code>

Code Bold Code bold is used to highlight a piece of code within a particular code sample.

Keying Conventions

This guide might use the following keying conventions:

No prompt	When a command's format is the same for multiple platforms, a prompt is not used.
%	A percent sign represents the UNIX command shell prompt for a command that does not require root privileges.
\$	A dollar sign represents the z/OS UNIX System Services command shell prompt for a command that does not require root privileges.
#	A number sign represents the UNIX command shell prompt for a command that requires root privileges.
.	Horizontal or vertical ellipses in format and syntax descriptions indicate that material has been eliminated to simplify a discussion.
[]	Brackets enclose optional items in format and syntax descriptions.
{ }	Braces enclose a list from which you must choose an item in format and syntax descriptions.

Part 1

Introduction

In This part

This part contains the following chapters:

Introduction to CORBA and Orbix	page 3
Introduction to the CICS Adapters	page 19

Introduction to CORBA and Orbix

The Common Object Request Broker Architecture (CORBA) standard is specified by the Object Management Group (OMG) and provides the foundation for flexible and open systems. It underlies some of the Internet's most successful e-business sites, and some of the world's most complex and demanding enterprise information systems. Orbix is a full implementation of the CORBA standard from IONA Technologies. Orbix Mainframe is IONA's implementation of CORBA for the z/OS platform. This chapter provides an introductory overview of both CORBA and Orbix.

In this chapter

This chapter discusses the following topics:

Overview of CORBA	page 4
Overview of Orbix	page 13

Overview of CORBA

Overview

The Common Object Request Broker Architecture (CORBA) provides the foundation for flexible and open systems. It underlies some of the Internet's most successful e-business sites and some of the world's most complex and demanding enterprise information systems. This section provides an overview of CORBA in terms of the enterprise information solutions that it provides and the basic principles on which it is based.

In this section

This section discusses the following topics:

Why CORBA?	page 5
CORBA Objects	page 7
The ORB	page 9
CORBA Application Basics	page 10

Why CORBA?

Overview

CORBA is a standard middleware architecture that can be used to develop and integrate a wide variety of distributed systems that use a variety of hardware, operating systems, and programming languages.

This subsection discusses the following topics:

- [Need for open systems](#)
- [Need for high-performance systems](#)
- [Open standard solution](#)
- [Widely available solution](#)

Need for open systems

Today's enterprises need flexible, open information systems. Most enterprises must cope with a wide range of technologies, operating systems, hardware platforms, and programming languages that need to work together to make the enterprise function.

Need for high-performance systems

Orbix is a CORBA development platform for building high-performance systems. Its modular architecture supports the most demanding needs for scalability, performance, and deployment flexibility. The Orbix architecture is also language-independent, so you can implement Orbix applications in COBOL, PL/I, C++, or Java that interoperate, via the standard IIOP protocol, with applications built on any CORBA-compliant technology.

Open standard solution

CORBA is an open, standard solution for distributed object systems. You can use CORBA to describe your enterprise system in object-oriented terms, regardless of the platforms and technologies used to implement its different parts. CORBA objects communicate directly across a network, using standard protocols, regardless of the programming languages used to create objects or the operating systems and platforms on which the objects run.

Widely available solution

CORBA solutions are available for every common environment and are used to integrate applications written in C, C++, Java, Ada, Smalltalk, COBOL, and PL/I, COM, LISP, Python, and XML, running on embedded systems, PCs, UNIX hosts, and mainframes. CORBA objects running in these environments can cooperate seamlessly. Through COMet, IONA's dynamic

bridge between CORBA and COM, they can also interoperate with COM objects. CORBA offers an extensive infrastructure that supports all the features required by distributed business objects. This infrastructure includes important distributed services, such as transactions, messaging, and security.

CORBA Objects

Overview

This subsection describes the most basic components of a CORBA system. It discusses the following topics:

- [Nature of abstract CORBA objects](#)
 - [Object references](#)
 - [IDL interfaces](#)
 - [Advantages of IDL](#)
-

Nature of abstract CORBA objects

A CORBA system provides distributed object capability between applications in a network. A *client* in a CORBA system is any program that invokes the services (or functions) of a CORBA object. A *server* in a CORBA system is any program that contains instances of *CORBA objects*.

CORBA objects are abstract objects in a CORBA system that provide distributed object capability between applications in a network. [Figure 1](#) shows that any part of a CORBA system can refer to the abstract CORBA object, but the object is only implemented in one place and time on some server within the system.

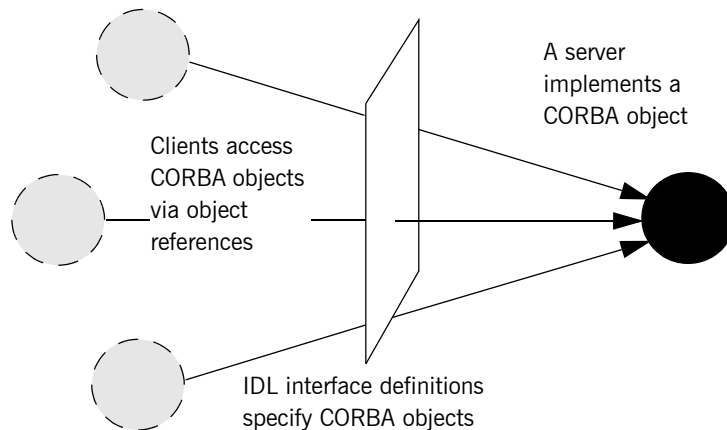


Figure 1: *The Nature of Abstract CORBA Objects*

Object references

An *object reference* is used to identify, locate, and address a CORBA object. Clients use an object reference to invoke requests on a CORBA object. CORBA objects can be implemented by servers in any supported programming language, such as COBOL, PL/I, C++, or Java.

For integration with existing transactions in CICS, you can:

- Use the Orbix CICS server adapter to receive CORBA client requests and translate them to program invocations in CICS.
- Use the Orbix CICS client adapter to allow transactions in CICS to initiate CORBA client requests to servers running outside of CICS.

IDL interfaces

Although CORBA objects are implemented using standard programming languages, each CORBA object has a clearly-defined interface, specified in the *CORBA Interface Definition Language (IDL)*. The *interface definition* specifies which operations (member functions), data types, attributes, and exceptions are available to a client, without making any assumptions about an object's implementation. Not all IDL data types are supported by the CICS server and client adapters. Refer to [“Unsupported IDL Types” on page 34](#) for more information.

Advantages of IDL

With a few calls to an Object Request Broker's (ORB's) application programming interface (API), servers can make CORBA objects available to client programs in your network.

To call member functions on a CORBA object, a client programmer needs only to refer to the object's interface definition. Clients use their normal programming language syntax to call the member functions of a CORBA object. A client does not need to know which programming language implements the object, the object's location on the network, or the operating system in which the object exists.

Using an IDL interface to separate an object's use from its implementation has several advantages. For example, you can change the programming language in which an object is implemented without affecting the clients that access the object. You can also make existing objects available across a network.

The ORB

Overview

CORBA defines a standard architecture for object request brokers (ORBs). An ORB is a software component that mediates the transfer of messages from a program to an object located on a remote network host. The ORB hides the underlying complexity of network communications from the programmer.

This subsection discusses the following topics:

- [Role of an ORB](#)
- [Graphical overview](#)

Role of an ORB

An ORB lets you create standard software objects whose member functions can be invoked by *client* programs located anywhere in your network. A program that contains instances of CORBA objects is often known as a *server*. However, the same program can serve at different times as a client and a server. For example, a server program might itself invoke calls on other server programs, and so relate to them as a client.

Graphical overview

When a client invokes a member function on a CORBA object, the ORB intercepts the function call. As shown in [Figure 2](#), the ORB redirects the function call across the network to the target object. The ORB then collects results from the function call and returns these to the client.

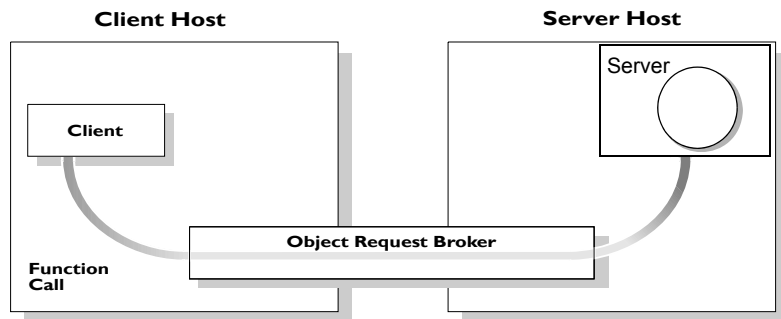


Figure 2: *Role of the ORB in the Basic CORBA Model*

CORBA Application Basics

Overview

This subsection describes the basics of how CORBA applications work. It discusses the following topics:

- [Developing application interfaces](#)
- [Client invocations on CORBA objects](#)
- [IDL operation parameters](#)
- [Parameter-passing mode qualifiers](#)

Developing application interfaces

The first step in developing a CORBA application is to define interfaces to objects in your system, in CORBA IDL. Then compile these interfaces with an IDL compiler. An IDL compiler can generate COBOL, PL/I, C++ or Java from IDL definitions. The generated code includes *client stub code* (excluding COBOL and PL/I), which you use to develop client programs; and *object skeleton code*, which you use to implement CORBA objects in server programs.

Note: With Orbix Mainframe, you can use the IDL compiler to generate only COBOL or PL/I server skeleton code from IDL definitions. The IDL compiler does not generate COBOL or PL/I client stub code.

Your installation of the CICS server adapter includes a server application that runs on z/OS and acts as the CORBA gateway to the CICS system. Your installation of the CICS client adapter includes a client application that runs on z/OS and acts as the CORBA gateway outbound from the CICS system. Sample demonstrations are provided with both the CICS server and client adapter installation programs. These demonstrations are located in the `orbixhlq.DEMOS.CICS.**` PDS range. Samples of both COBOL and PL/I CICS servers and clients are provided. For more details about the COBOL demonstrations, see the sections in the *COBOL Programmer's Guide and Reference* on developing a CICS server and a CICS client. For more details about the PL/I demonstrations, see the sections in the *PL/I Programmer's Guide and Reference* on developing a CICS server and a CICS client.

Client invocations on CORBA objects

When a client wants to invoke operations on a CORBA object, it invokes on an object reference that it obtains from the server process. As shown in [Figure 3 on page 11](#), a client call is transferred through the client stub code to the ORB. The ORB then passes the function call through the object skeleton code to the target object. Because the implemented object is not located in the client's address space, CORBA objects are represented in client code by *proxy objects*.

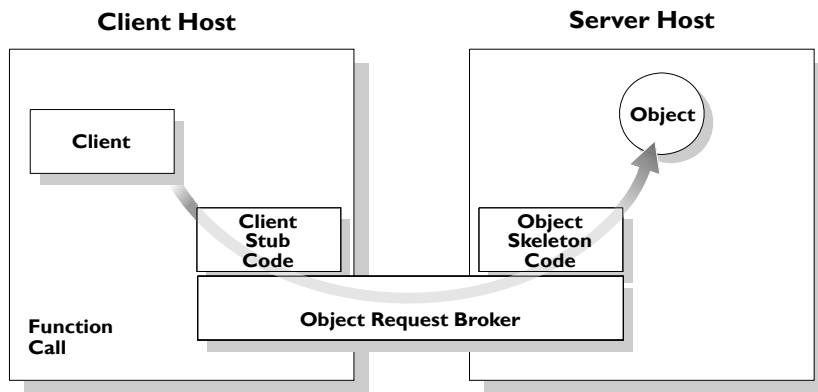


Figure 3: *Invoking on a CORBA Object*

IDL operation parameters

Each parameter specifies the direction in which its arguments are passed between client and object. Parameter-passing modes clarify operation definitions and allow the IDL compiler to accurately map operations to a target programming language. The Orbix CICS runtime uses parameter-passing modes to determine in which direction (or directions) it must marshal a parameter.

Parameter-passing mode qualifiers

There are three parameter-passing mode qualifiers:

in This means that the parameter is initialized only by the client and is passed to the object.

- `out` This means that the parameter is initialized only by the object and is passed to the client.
- `inout` This means that the parameter is initialized by the client and passed to the server; the server can modify the value before returning it to the client

Overview of Orbix

Overview

Orbix is IONA's implementation of the CORBA standard. This section provides an example of a simple Orbix application and an introduction to the broader Orbix environment.

In this section

This section discusses the following topics:

Simple Orbix Application	page 14
Broader Orbix Environment	page 17

Simple Orbix Application

Overview

A simple Orbix application might contain a client and a server along with one or more objects (see [Figure 4](#)). In this model, the client obtains information about the object it seeks, using *object references*. An object reference uniquely identifies a local or remote object instance.

This subsection discusses the following topics:

- [Graphical overview](#)
 - [Explanation of simple application](#)
 - [Portable object adapter](#)
 - [Limitations of a simple application](#)
-

Graphical overview

[Figure 4](#) provides a graphical overview of a simple Orbix application.

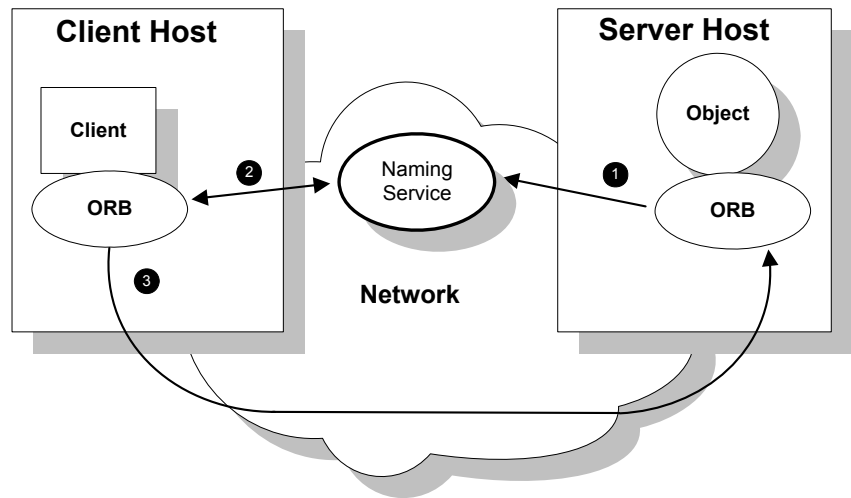


Figure 4: Overview of a Simple Orbix Application

Explanation of simple application

[Figure 4 on page 14](#) shows how an ORB enables a client to invoke on a remote object:

Step	Action
1	When a server starts, it creates one or more objects and publishes their object references in a <i>naming service</i> . A naming service uses simple names to make object references accessible to prospective clients. Servers can also publish object references to a file or as a URL.
2	The client program looks up the object reference by name in the naming service. The naming service returns the server's object reference.
3	The client ORB uses the object reference to pass a request to the server object.

Portable object adapter

For simplicity, [Figure 4 on page 14](#) omits details that all applications require. For example, Orbix applications use a Portable Object Adapter (POA), to manage access to server objects. A POA maps object references to their concrete implementations on the server. Given a client request for an object, a POA can invoke the referenced object locally.

The client request embeds the POA name and object ID taken from the published object reference. The server then uses the POA name to invoke the POA. The POA uses the object ID to invoke the desired object, if it exists on the server.

Refer to either the *COBOL Programmer's Guide and Reference* or the *PL/I Programmer's Guide and Reference* for details about the Orbix Mainframe POA.

Limitations of a simple application

This simple model uses a naming service to pass object references to clients. The naming service has some limitations and does not support all the needs of enterprise-level applications. For example, naming services are often not designed to handle frequent updates. They are designed to store relatively stable information that is not expected to change very often. If a process stops and restarts frequently, a new object reference must be published with each restart. In production environments where many

servers start and stop frequently, this can overwork a naming service. Enterprise applications also have other needs that are not met by this simple model—for example, on-demand activation, and centralized administration. These needs are met in a broader Orbix environment, as described in [“Broader Orbix Environment” on page 17](#).

Broader Orbix Environment

Overview

Along with the naming service, Orbix offers a number of features that are required by many distributed applications, for flexibility, scalability, and ease of use. This subsection provides an overview of those features. It discusses the following topics:

- [Location domains](#)
 - [Managing object availability](#)
 - [Configuration domains](#)
 - [Interface Repository](#)
-

Location domains

Location domains enable a server and its objects to move to a new process or host, and to be activated on demand. An Orbix location domain consists of two components—a locator daemon and a node daemon:

- locator daemon—This is a CORBA service that acts as the control center for the entire location domain. The locator daemon has two roles:
 - ♦ Manage the configuration information used to find, validate, and activate servers running in the location domain.
 - ♦ Act as the contact point for clients trying to invoke on servers in the domain.
- node daemon—This acts as the control point for a single host machine in the system. Every machine that runs an application server must run a node daemon. The node daemon starts, monitors, and manages application servers on its machine. The locator daemon relies on node daemons to start processes and tell it when new processes are available.

Managing object availability

A server makes itself available to clients by publishing Interoperable Object References (IORs). An IOR contains an object's identity and address. Refer to [“Sample configuration file” on page 227](#) for an example of an IOR.

When a client invokes on an object, Orbix locates the object as follows:

1. The ORB sends the invocation to the locator daemon.
 2. The locator daemon searches the implementation repository for the actual address of a server that runs this object.
 3. The locator daemon returns this address to the client.
 4. The client connects to the returned server address and directs this and all subsequent requests for this object to that address.
-

Configuration domains

Configuration domains allows you to organize ORBs into independently manageable groups. This brings scalability and ease of use to the largest environments.

Interface Repository

The *Interface Repository (IFR)* provides a source of type information, and allows clients to discover and use additional objects in the environment—even if clients do not know about these objects at compile time. Orbix Mainframe also supplies an alternative to using the IFR; refer to [“Using type_info store as a Source of Type Information” on page 216](#) for more information.

Introduction to the CICS Adapters

The Orbix Mainframe CICS server adapter provides a simple way to integrate distributed CORBA and EJB clients on various platforms with existing and new CICS transactions running on z/OS. It allows you to develop and deploy Orbix COBOL and Orbix PL/I servers in CICS, and to integrate these CICS servers with distributed CORBA clients running on various platforms. It also facilitates the integration of existing CICS transactions, not developed using Orbix, with distributed CORBA clients, without the need for code changes to these existing transactions. The CICS server adapter itself can execute in a native z/OS or UNIX System Services address space.

The Orbix Mainframe client adapter provides a simple way for CICS transactions to act as clients of distributed CORBA servers on various platforms. It allows you to develop and deploy Orbix COBOL and Orbix PL/I clients in CICS. The client adapter itself can execute in a native z/OS or UNIX Systems Services address space

This chapter provides an introductory overview of both the CICS server adapter and the client adapter that are supplied with Orbix Mainframe.

In this chapter

This chapter discusses the following topics:

Overview of the CICS Server Adapter	page 21
Overview of the Client Adapter	page 35

Overview of the CICS Server Adapter

Overview

The CICS server adapter is an Orbix IONA service that can be deployed in either a native z/OS or UNIX System Services environment. Its function is to integrate distributed CORBA or EJB clients (or both) running on various platforms with existing or new CICS applications (or both) running on z/OS.

In this section

This section discusses the following topics:

Role of the CICS Server Adapter	page 22
CICS Server Adapter Processing of IDL Operations	page 25
The CICS Server Adapter cicsraw Interface	page 26
Unsupported IDL Types	page 34

Role of the CICS Server Adapter

Overview

The CICS server adapter acts as a bridge between CORBA/EJB clients and CICS servers. It allows you to set up a distributed system that combines the powerful online transaction processing capabilities of CICS with the consistent and well-defined structure of a CORBA environment.

This subsection discusses the following topics:

- [Characteristics of the CICS server adapter](#)
 - [CICS server adapter functions](#)
 - [Graphical overview](#)
 - [Graphical overview explanation](#)
-

Characteristics of the CICS server adapter

The CICS server adapter has the following characteristics:

- It is a fully dynamic bridge, because the interfaces that it provides to CORBA clients can be changed at runtime.
 - It is an Orbix server that is used to allow CICS transactions to process IDL-defined operations. Refer to [“CICS Server Adapter Processing of IDL Operations” on page 25](#) for more details.
 - It implements the `cicsraw` IDL interface. Refer to [“The CICS Server Adapter `cicsraw` Interface” on page 26](#) for more details.
-

CICS server adapter functions

The CICS server adapter performs the following functions:

1. It accepts an IDL request or an input COMMAREA from the client.
2. It provides accepted IDL requests or an input COMMAREA to CICS.
3. It runs the CICS program. If it is an IDL-based request, the server adapter marshals the operation parameters for the implementation server program in CICS, performing any necessary data conversion; otherwise, it simply runs the requested program with the supplied input COMMAREA.
4. In the same way, it receives the results from CICS and returns them to the client.

Graphical overview

Figure 5 provides a graphical overview of the role of the CICS server adapter.

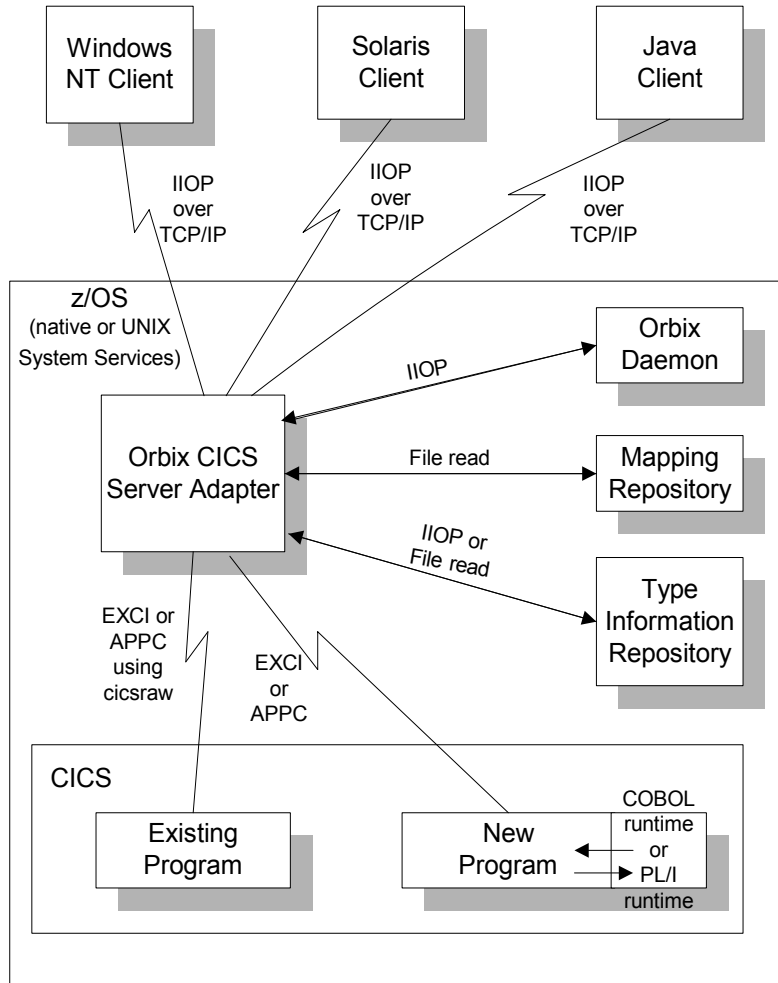


Figure 5: Graphical Overview of the Role of the CICS Server Adapter

Graphical overview explanation

[Figure 5 on page 23](#) provides an overview of the role of the CICS server adapter in integrating distributed CORBA or EJB clients (or both) on different platforms with CICS transactions running on z/OS. The CORBA or EJB clients can be written in languages such as C++ or Java.

The CICS server adapter communicates with CICS using either IBM's External CICS Interface (EXCI) or Advanced Program to Program Communications (APPC) protocol. A 32K data limit applies when using EXCI, but does not apply when using APPC. As discussed, the CICS server adapter acts as a bridge between CORBA/EJB clients that can be running on various platforms and servers that are running in CICS.

CICS Server Adapter Processing of IDL Operations

Overview

The CICS server adapter is an Orbix server that allows CICS programs to process IDL-defined operations. When the server adapter receives a request from a CORBA/EJB client, it looks up the appropriate CICS program name, based on the requested interface and operation name. The server adapter then marshals incoming data and submits the request to CICS with that program name. When the CICS program receives control via the normal CICS dispatching process, it uses the set of Orbix-provided services to read in the operation's parameters and marshal the return data, and returns the result to the client.

This subsection discusses the following topics:

- [List of required IDL interfaces](#)
- [CICS server adapter type information](#)

List of required IDL interfaces

The list of interfaces that the CICS server adapter needs to provide to its clients is provided to the server adapter in the form of a mapping file. Refer to [“The Mapping File” on page 200](#) for more details.

CICS server adapter type information

The CICS server adapter obtains IDL interface information (operation signatures) from either the IFR or from a type_info store, depending on the configuration values used. This enables the server adapter to unmarshal the data received from client programs and marshal the response back to the client. (Marshalling is the process whereby the communicated data is converted to a byte stream, so that it can be sent between the client and the server).

The exact manner in which information is loaded depends on the type information mechanism employed (that is, IFR or type_info store). Refer to [“Mapping IDL Interfaces to CICS” on page 199](#) for more information on these mechanisms.

The CICS Server Adapter `cicsraw` Interface

Overview

This subsection provides an introductory overview of the `cicsraw` IDL interface, which the CICS server adapter implements. It discusses the following topics:

- [What is the `cicsraw` interface?](#)
- [EXCI versus APPC](#)
- [Definition of the `cicsraw` IDL.](#)
- [Explanation of the `cicsraw` IDL.](#)
- [Demonstration of the `cicsraw` interface](#)

What is the `cicsraw` interface?

The CICS server adapter exposes a CORBA IDL interface, called `cicsraw`, to its clients. The `cicsraw` IDL interface defines operations to:

- Specify a CICS program name and an input COMMAREA.
- Run the program in CICS.
- Receive the resulting output COMMAREA.

Note: If you used the previous versions of the CICS server adapter, the `cicsraw` IDL interface has been modified to scope the `cicsraw` interface inside a module called `IT_MFA_CICS`. However, to maintain backwards compatibility with older client applications, the CICS server adapter can be configured to expose the legacy unscoped `cicsraw` API (see the *Mainframe Migration and Upgrade Guide* for more details). Also, as stated in the IDL of previous adapter versions, the `do_trans()` operation has been removed.

EXCI versus APPC

The `cicraw` interface is only supported by server adapters that are communicating with CICS over EXCI. It is not supported by server adapters that are communicating with CICS over APPC. In CICS, the called program is responsible for conversation handling (unlike in IMS, where the IMS system is responsible for conversation handling and simply passes the segments to the called transaction). Therefore, when communicating with CICS over APPC, you can only call a program that has been coded to be the other partner in an APPC conversation, rather than a program that takes a COMMAREA as input.

Definition of the cicsraw IDL

The following shows the IDL definitions contained within the `cicsraw` IDL interface:

Example 1: The cicsraw IDL Interface (Sheet 1 of 3)

```
1 //IDL
  #pragma prefix "iona.com"
2 module IT_MFA_CICS
  {
3     interface cicsraw {
        typedef string<8>      programName;
        typedef sequence<char> CharBuffer;
        typedef sequence<octet> ByteBuffer;
        typedef string<4>     CICSabend;
        typedef char          transid[4];
4
        exception CICSunavailable
        {
            string reason;
        };
        exception unknownProgramName {};
        exception commareaTooLarge {};
        exception userNotAuthorized
        {
            string reason;
        };
        exception programFailed
        {
            unsigned long eibresp;
            unsigned long eibresp2;
            CICSabend abendCode;
        };
        exception internalError
        {
            string reason;
        };
5
        //
        // Methods for invoking CICS server programs.
        // The first uses CharBuffer, so data is subject
        // to ASCII-EBCDIC conversion cross-platforms, the
        // second uses a ByteBuffer so no conversion will be
        // done.
        //
        void run_program(
```

Example 1: *The cicsraw IDL Interface (Sheet 2 of 3)*

```

        in programName program_name,
        inout CharBuffer commarea
    ) raises (
        commareaTooLarge,
        CICSunavailable,
        unknownProgramName,
        userNotAuthorized,
        programFailed,
        internalError
    );

5 void run_program_binary{
    in programName program_name,
    inout ByteBuffer commarea
    ) raises (
        commareaTooLarge,
        CICSunavailable,
        unknownProgramName,
        userNotAuthorized,
        programFailed,
        internalError
    );

    //
    // Methods for invoking CICS server programs with the
    // mirror transaction name specified.
    //
    // This is for the EXCI based CICS adapter only.
    //
    // The first uses a CharBuffer, so data is subject
    // to ASCII-EBCDIC conversion cross-platforms, the
    // second uses a ByteBuffer so no conversion will be
    // done.
    //
6 void run_program_with_tran(
    in programName program_name,
    in transid transaction_id,
    inout CharBuffer commarea
    ) raises(
        commareaTooLarge,
        CICSunavailable,
        unknownProgramName,
        userNotAuthorized,
        programFailed,
        internalError
    );

```

Example 1: *The cicsraw IDL Interface (Sheet 3 of 3)*

```

};

6 void run_program_binary_with_tran(
    in programName program_name,
    in transid transaction_id,
    inout ByteBuffer commarea
) raises (
    commareaTooLarge,
    CICSunavailable,
    unknownProgramName
    userNotAuthorized,
    programFailed,
    internalError
);

7 readonly attribute unsigned long maxCommareaSize;
};
};

```

Explanation of the cicsraw IDL

The `cicsraw` interface can be explained as follows:

- 1 This `pragma prefix` indicates that the IDL was developed by IONA.
- 2 The `cicsraw` interface is within the `IT_MFA_CICS` module scope. The `IT_` prefix is a naming convention that is used to signify IDL modules developed by IONA. This helps to avoid naming clashes in the global scope.
- 3 It defines five data types:
 - ◆ `programName`, which is a bounded string of up to eight characters.
 - ◆ `CharBuffer`, which is a sequence of `char` types.
 - ◆ `ByteBuffer`, which is a sequence of `octet` types.
 - ◆ `CICSabend`, which is a bounded string of up to four characters.
 - ◆ `transid`, which is a bounded string of up to four characters.
- 4 It defines a series of exceptions that can be used to describe errors that might occur when running a CICS program. Any such errors are returned to the client, using this series of exceptions. This means that a client program can catch and handle any errors that might be used for diagnostic purposes or for which a useful response is possible. See [“Exception information for APPC” on page 32](#) and [“Exception information for EXCI” on page 33](#) for more details of these exceptions.

- 5 It defines operations called `run_program()` and `run_program_binary()`. These operations are similar in that:
- ◆ They are both provided for passing COMMAREA data to a CICS program.
 - ◆ They both take an `in` parameter called `program_name`, and an `inout` parameter called `commarea`. The `program_name` parameter specifies the CICS program that the client wants to invoke. The `commarea` parameter is used by the client to pass the COMMAREA data to the CICS program. The `commarea` parameter is also used by the CICS server adapter, to pass the processed data from the CICS program back to the client.

The two operations differ in the type of the `commarea` parameter, as follows:

- ◆ The `commarea` parameter for `run_program()` is of the `CharBuffer` type. This means that the CICS server adapter performs ASCII-to-EBCDIC translations when it is sending the buffer that contains the COMMAREA across different platforms. However, if the client input is a mixture of character and numeric data, the numeric data might be corrupted by the ASCII-to-EBCDIC conversion process, and the CICS program is then unable to process the inputs. The easiest solution in this case is to have the CICS program receive all its input in character format, and to have the CICS server adapter use the `run_program()` operation to convert the data to EBCDIC format before supplying it to CICS.
- ◆ The `commarea` parameter for `run_program_binary()` is of the `ByteBuffer` type. This means that the data passed from a non-EBCDIC platform to z/OS is not converted. In such cases, where the COMMAREA contains a mixture of character and non-character data, there are two possible solutions. The first solution is to have the client call `run_program_binary` and translate all the character data to EBCDIC. (However, this translation is awkward and is not portable across different client platforms.) The second solution is to modify the CICS program, so that it only accepts character input.

- 6 It defines operations called `run_program_with_tran()` and `run_program_binary_with_tran()`. These operations are similar to `run_program()` and `run_program_binary()`. The only difference is that they also have an extra `in` parameter called `transaction_id`, which allows for the mirror transaction to be specified. The `run_program()` and `run_program_binary()` operations pick up a default mirror transaction specified in the configuration domain.
- 7 The readonly attribute, `maxCommareaSize`, allows the client to retrieve the maximum COMMAREA length for which the CICS server adapter was configured when it was started. Because this is a readonly attribute, clients can read its value, but they cannot set it.

As long as your CICS program uses a COMMAREA for all input and output, no changes are required to it.

Exception information for APPC

For APPC, the exception information that can be raised by the `cicsraw` interface can be explained as follows:

- `reason`
The reason string is usually created from a call to `ATBEES3()`, with some other available information, such as the return code from the `ATBxxx` call, added where applicable. For failures that do not involve APPC, a reason string is generated by the adapter to describe the failure.
- `exception CICSunavailable { string reason; };`
A `CICSunavailable` exception is thrown when `ATBALC5()` fails with `k_badDestname`, `k_remoteLUnotActive`, or `k_remoteLUnotActive2`.
- `exception unknownTransactionName {};`
An `unknownTransactionName` exception is thrown when `ATBSEND()`, `ATBRCVW()`, or `ATBDEAL()` fails with `CM_TPN_NOT_RECOGNIZED`.
- `exception segmentTooLarge {};`
A `segmentTooLarge` exception is thrown if one of the input segments exceeds the maximum length specified for segments in the adapter configuration file.
- `exception userNotAuthorized { string reason; };`
A `userNotAuthorized` exception is thrown when `ATBSEND()`, `ATBRCVW()`, or `ATBDEAL()` fails with `CM_SECURITY_NOT_VALID`. It can also be thrown if the `plugins:cicsa:use_client_principal` configuration item is set to "yes" but the principal received does not look like a valid RACF user ID.
- `exception transactionFailed { string reason; };`
A `transactionFailed` exception is thrown when `ATBSEND()` fails with `CM_PROGRAM_ERROR_NO_TRUNC`.
- `exception internalError { string reason; };`
An `internalError` exception is thrown for all other failures. Refer to the adapter event log output for more details on what caused a specific exception.

Exception information for EXCI

For EXCI, the exception information that can be raised by the `cicsraw` interface can be explained as follows:

- `exception CICSunavailable`
A `CICSunavailable` exception is thrown when EXCI returns `NO_CICS_IRC_STARTED`, `NO_PIPE`, or `NO_CICS` reason codes. It can also be thrown for a reason code of `IRC_CONNECT_FAILURE` with a subreason of `IRERRNSS` or `-1`.
- `exception unknownProgramName`
An `unknownProgramName` exception is thrown if the program name is more than eight characters in length. It can also be returned if CICS returns a DPL response code of `EXEC_PGMIDERR`.
- `exception commareaTooLarge`
A `commareaTooLarge` exception is thrown if the `commarea` received from the client application is either larger than the limit specified in the adapter configuration file or larger than 32K.
- `exception userNotAuthorized`
A `userNotAuthorized` exception is thrown if the adapter is configured to use client principals for calls to CICS, but the received principal is malformed. It can also be thrown for a reason code of `IRC_CONNECT_FAILURE` with a subreason of `IRERRSCF`.
- `exception programFailed`
A `programFailed` exception is thrown for any error, except `EXEC_PGMIDERR`, that is returned by DPL on the EXCI `DPL_request` call.
- `exception interalError`
An `internalError` exception is thrown for all other failures. Refer to the adapter event log output for more details on what caused a specific exception. This includes errors that are caused by the CICS adapter being configured to use the client principal, but not subsequently being able to log onto CICS with the principal provided by the client.

Demonstration of the `cicsraw` interface

A C++ demonstration client for the `cicsraw` interface is supplied with the other C++ demonstrations in your Orbix Mainframe installation. Follow the instructions in the supplied readme to run the client application.

Unsupported IDL Types

Overview

This section provides an overview of the IDL types that the CICS server adapter does not support.

Unsupported types

The following IDL types are not currently supported by the CICS server adapter:

- Object references.
- Value types, and other Pseudo-object types.
- wchar and wstring

Refer to the *COBOL Programmer's Guide and Reference* and the *PL/I Programmer's Guide and Reference* for details.

Overview of the Client Adapter

Overview

The Orbix Mainframe client adapter is an Orbix IONA Service that can be deployed in a native z/OS or UNIX System Services environment. Its function is to allow CICS transactions to act as clients of CORBA servers running on various platforms.

The client adapter acts as a bridge between CICS client transactions and CORBA servers. The client adapter allows you to set up a distributed system that combines the powerful online transaction processing capabilities of CICS with the consistent and well-defined structure of a CORBA environment.

This section discusses the following topics:

- [Characteristics of the client adapter](#)
- [Client adapter functions](#)
- [Graphical overview](#)
- [Graphical overview explanation](#)

Characteristics of the client adapter

The client adapter has the following characteristics:

- It is a mirror implementation of the CICS server adapter in that it adapts CORBA requests that originate in CICS, whereas the CICS server adapter adapts CORBA requests destined for CICS. [Figure 6 on page 37](#) provides an overview of the role of the client adapter in integrating CICS client transactions with distributed CORBA servers on different platforms.
- It uses APPC to communicate with CICS.
- It implements the CORBA invocation facility via the Orbix Dynamic Invocation Interface (DII), and uses the IFR server or a type_info store to obtain type information. Refer to the *CORBA Programmer's Guide, C++* for more information on the DII.
- It provides an optional caching feature to improve performance. It can cache target object references and type information for operations.
- It is a multi-threaded application that can service multiple concurrent client requests.

- It can service multiple CICS regions.
 - It supports two-phase commit processing initiated from CICS transactions.
-

Client adapter functions

The client adapter performs the following functions:

- It accepts a request from a CICS client transaction.
- It locates the target CORBA object and invokes the requested operation.
- It returns the CORBA object reply to the CICS client transaction.

Graphical overview

Figure 6 provides a graphical overview of the role of the client adapter.

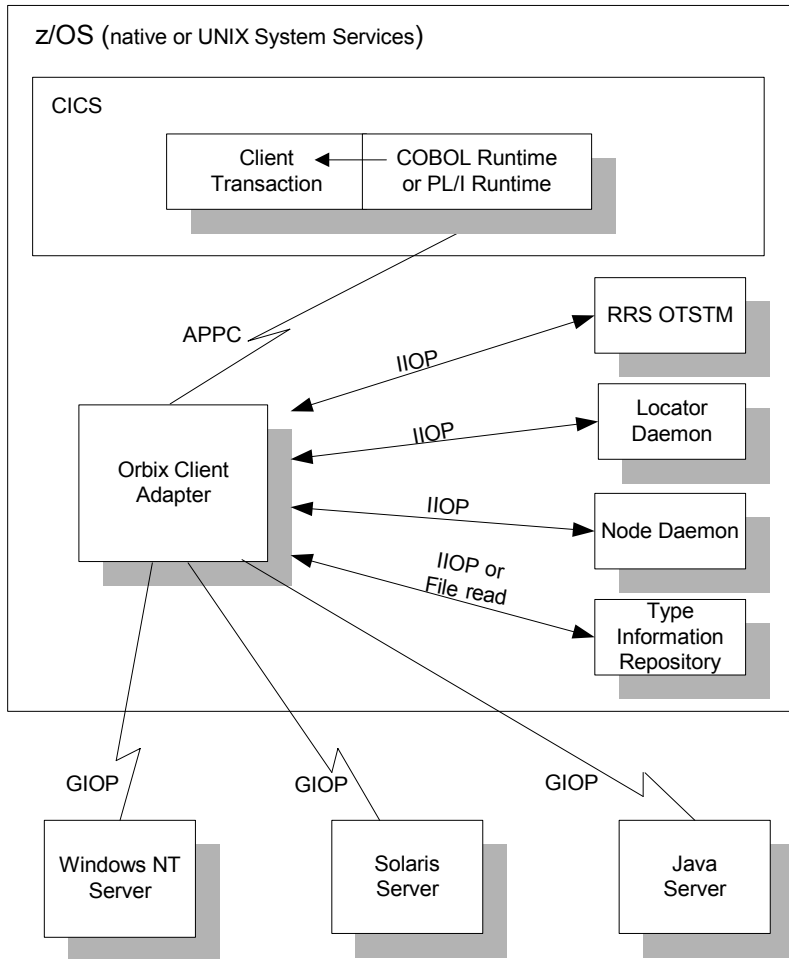


Figure 6: Graphical Overview of the Role of the Client Adapter

Graphical overview explanation

[Figure 6 on page 37](#) provides an overview of the role of the client adapter in integrating distributed CORBA servers on different platforms with CICS client transactions running on z/OS. The CICS client transactions can be written in COBOL or PL/I. The clients make a call to the COBOL or PL/I runtime that identifies both the target object and the operation to perform, and supplies `in`, `inout`, and `out` parameters. The COBOL or PL/I runtime uses the APPC protocol to communicate with the client adapter, and passes the client request to it. The client adapter locates the target server object and invokes the requested operation. The results are then returned back to the CICS client transaction. A CICS client transaction can process requests to servers using two-phase commit processing.

Part 2

Configuring the CICS Server Adapter and the Orbix Runtime Inside CICS

In this part

This part contains the following chapters:

Introduction to CICS Server Adapter Configuration	page 41
CICS Server Adapter Service Configuration Details	page 57
Configuring the CICS Server Adapter EXCI Plug-In	page 67
Configuring the CICS Server Adapter APPC Plug-In	page 75
Configuring the CICS Server Adapter RRS Plug-In	page 91
Configuring the CICS Server Adapter for Client Principals	page 101
Configuring the Orbix Runtime inside CICS	page 113
IDL Compiler Configuration	page 119

Introduction to CICS Server Adapter Configuration

This chapter provides information needed to configure the CICS server adapter and its components (plug-ins). It provides descriptions of all the configuration items involved in running the server adapter. It also provides details on configuring the various system components used by the server adapter. These components include CICS, EXCI, APPC/MVS, and RRMS.

In this chapter

This chapter discusses the following topics:

A CICS Server Adapter Sample Configuration	page 42
Configuration Summary of Adapter Plug-Ins	page 46

A CICS Server Adapter Sample Configuration

Overview

A sample configuration member is supplied with your Orbix Mainframe installation that provides an example of how you might configure and deploy the CICS server adapter on both native z/OS and UNIX System Services.

This section discusses the following topics:

- [Location of configuration templates](#)
- [Configuration scope](#)
- [Configuration scope example](#)

Location of configuration templates

Sample configuration templates are supplied with your Orbix Mainframe installation in the following locations:

- Non-TLS template—`orbixhlq.CONFIG(BASETMPL)`
- TLS template—`orbixhlq.CONFIG(TLSTMPL)`

Note: Further configuration resides in `orbixhlq.CONFIG(ORXINTRL)`. This contains internal configuration that should not usually require any modifications.

Configuration scope

An ORBname of `iona_services.cicsa` has been chosen for the CICS server adapter service. Therefore, the corresponding configuration items that are specific to the server adapter are scoped within an `iona_services.cicsa` configuration scope.

Configuration scope example

The following is an example of the `iona_services.cicsa` configuration scope.

Example 2: *iona_services.cicsa Configuration Scope Example (Sheet 1 of 4)*

```
iona_services
{
  orb_plugins = ["iiop_profile", "giop", "iiop",
               "local_log_stream", "ots"];
```

Example 2: *iona_services.cicsa Configuration Scope Example (Sheet 2 of 4)*

```

generic_server:wto_announce:enabled = "true";

...
cicsa
{
    event_log:filters = ["*=WARN+ERROR+FATAL", "IT_MFA=INFO_HI+WARN+ERROR+FATAL"];

    plugins:cicsa:direct_persistence = "no";
    plugins:cicsa:poa_prefix = "IT_MFA_CICS_";

    #
    # Settings for well-known addressing:
    # (mandatory if direct_persistence is enabled)
    #
    # plugins:cicsa:iiop:port = "5007";
    # plugins:cicsa:iiop:host = "%{LOCAL_HOSTNAME}";

    # List of mappings of interface/operation -> CICS prog name
    # PDS member or HFS filename may be specified
    #
    plugins:cicsa:mapping_file = "DD:MFAMAPS";

    # The adapter may be configured to use type_info files or
    # to contact the IFR to attain type information dynamically
    # during runtime.
    #
    # * To configure to use type_info files:
    #   (note: source may be a PDS or HFS pathname)
    #   plugins:cicsa:repository_id = "type_info";
    #   plugins:cicsa:type_info:source = "%{LOCAL_HFS_ROOT}/info.txt";
    #
    # * To configure to use the IFR:
    #   plugins:cicsa:repository_id = "ifr";
    #   plugins:cicsa:ifr:cache = "";
    #
    plugins:cicsa:repository_id = "type_info";
    plugins:cicsa:type_info:source = "DD:TYPEINFO";
    plugins:cicsa:ifr:cache = "";

    # Use the following to display timing information on adapter requests
    # plugins:cicsa:display_timings = "yes";

    # choose CICS protocol plugin: cics_exci or cics_appc
    #

```

Example 2: *iona_services.cicsa Configuration Scope Example (Sheet 3 of 4)*

```

initial_references:IT_cicsraw:plugin = "cics_exci";
#initial_references:IT_cicsraw:plugin = "cics_appc";

plugins:cics_exci:applid =          "CICSTS1";
plugins:cics_exci:pipe_name =      "ORXPIPE1";
plugins:cics_exci:default_tran_id = "ORX1";
plugins:cics_exci:pipe_type =      "SPECIFIC";
plugins:cics_exci:max_comm_area_length = "32000";

plugins:cics_appc:cics_destination_name = "ORBIXCIC";
plugins:cics_appc:appc_outbound_lu_name = "ORXLU02";
plugins:cics_appc:timeout =          "6";
plugins:cics_appc:segment_length =   "32767";

# Activate this to display accounting info
# plugins:cicsa:call_accounting_dll = "yes";

#
# For RRS/OTS support, add:
# plugins:rrs:rm_name = "TEST.CICSRAW.IONA.UA";
# initial_references:IT_RRS:plugin = "rrs";
#
#
# For client principal support, add/update:
# plugins:cicsa:use_client_principal = "yes";
# plugins:cicsa:use_client_password = "no";
#
# And add the following if the client cannot send principals in a
# service context over GIOP 1.2 in a format recognised by the GIOP
# plugin
# policies:iiop:server_version_policy = "1.1";
#
#
# For publishing IORs from the adapter, add:
#
# plugins:cicsa:publish_all_ior = "yes";
#
# Publishing to a USS file:
# plugins:cicsa:write_ior_to_file = "%{LOCAL_HFS_ROOT}/text.txt";
#
# Publishing to a DD file that has to be defined in the JCL:
# plugins:cicsa:write_ior_to_file = "DD:MFAIORS";
#

```

Example 2: *iona_services.cicsa Configuration Scope Example (Sheet 4 of 4)*

```

# Publishing to a naming service context:
# plugins:cicsa:write_iors_to_ns_context = "test_context";
# plugins:cicsa:place_iors_in_nested_ns_scopes = "no";
# plugins:cicsa:remove_ns_iors_on_shutdown = "yes";
#
# Publishing to a naming service group:
# plugins:cicsa:write_iors_to_ns_group_with_prefix = "group1_";
# plugins:cicsa:write_iors_to_ns_group_member_name = "adapter2";
# plugins:cicsa:remove_ns_iors_on_shutdown = "yes";

# For the Adapter portable interceptor demo, please
# add "demo_sec" and "portable_interceptor" to your
# orb_plugins list. If you need an example, please
# refer to the orb_plugins list in the iona_services
# scope. Afterwards, please uncomment the next
# three configuration settings.
#
# orb_plugins = ["iiop_profile", "giop", "iiop",
#               "local_log_stream", "ots",
#               "demo_sec", "portable_interceptor" ];
#
# binding:server_binding_list = ["DemoPI"];
# plugins:demo_sec:shlib_name = "SECPI";
# plugins:demo_sec:shlib_version = "1";
};
...

```

Note: The configuration items shown in [Example 2](#) can be used to deploy an insecure server adapter. See [“Securing and Using the CICS Server Adapter” on page 171](#) for more details about the configuration items that are involved in deploying a server adapter in secure mode.

Configuring a domain

Refer to the *CORBA Administrator's Guide* for more details on how to configure an Orbix configuration domain.

Configuration Summary of Adapter Plug-Ins

Overview

Orbix configuration allows you to configure an application on a per-plug-in basis. This section provides a summary of the configuration items associated with plug-ins specific to the CICS server adapter.

This section discusses the following topics:

- [CICS server adapter plug-ins](#)
- [Summary of items for the cicsa plug-in](#)
- [Summary of items for the cics_exci plug-in](#)
- [Summary of items for the cics_appc plug-in](#)
- [Summary of items for the rrs plug-in](#)
- [Summary of remaining configuration items](#)

Note: See [“Securing the CICS Server Adapter” on page 173](#) for more details about the items relating to the iSF security plug-in.

CICS server adapter plug-ins

There are four plug-ins associated with the CICS server adapter:

- The `cicsa` plug-in is the core CICS server adapter plug-in.
- The `cics_exci` plug-in is used specifically for communications with CICS over EXCI.
- The `cics_appc` plug-in is used specifically for communications with CICS over APPC.
- The `rrs` plug-in provides integration for the Object Transaction Service (OTS) and CICS commit processing. This plug-in is optional and can only be used if RRS is configured and RRS support in CICS is enabled. It can only be used with the `cics_exci` plug-in.

Note: Either the EXCI or APPC plug-in should be selected with the `initial_references:IT_cicsraw:plugin` configuration variable.

Summary of items for the cicsa plug-in

The following is a summary of the configuration items associated with the `cicsa` plug-in. Refer to [“CICS Server Adapter Service Configuration Details” on page 57](#) for more details.

<code>iiop:port</code>	Specifies the TCP/IP port number that the CICS server adapter uses to listen for incoming requests. Valid values are in the range 1025–65535. This is an optional item.
<code>direct_persistence</code>	Specifies the persistence mode adopted by the CICS server adapter service. This is an optional item. <code>iiop:port</code> is required if this is specified as "yes".
<code>poa_prefix</code>	Specifies the POA prefix name. This is an optional item. The default value is <code>IT_MFA_</code> .
<code>iiop:host</code>	Specifies the host name that is contained in IORs exported by the CICS server adapter.
<code>alternate_endpoint</code>	Allows requests to the <code>MappingGateway</code> administrative interface to be processed by threads on an alternate workqueue instead of using the thread resources of the main automatic workqueue.
<code>mapping_file</code>	This file contains the mapping entries. Refer to “The Mapping File” on page 200 for more details. Optional.
<code>repository_id</code>	Specifies the type information source to use. This source supplies the CICS server adapter with operation signatures as required. Valid values are <code>"ifr"</code> , <code>"type_info"</code> , and <code>"none"</code> . The default is <code>"ifr"</code> . Refer to “Type information mechanism” on page 64 for more information.
<code>ifr:cache</code>	This value is used if <code>repository_id</code> is set to <code>"ifr"</code> . The <code>ifr:cache</code> configuration item is optional, specifying the location of an (operation) signature cache file. This signature cache file contains a cache of operation signatures from a previous run of this server adapter. The default is no signature cache file (<code>""</code>).
<code>type_info:source</code>	This value is used if <code>repository_id</code> is set to <code>"type_info"</code> . The <code>type_info:source</code> variable denotes the location of a <code>type_info</code> store from which the server adapter can obtain operation signatures. Refer to “type_info store” on page 65 for more information.

<code>use_client_principal</code>	Indicates that the CICS server adapter should verify the client principal user ID with SAF before trying to start the target CICS program under that ID. The default is <code>no</code> .
<code>use_client_principal_user_security</code>	Used with the CICS EXCI plug-in. When set to <code>true</code> , this indicates that the CICS server adapter should provide the client principal user ID on the request to start the target CICS program. The default is <code>false</code> .
<code>use_client_password</code>	Indicates that the CICS server adapter should use a client password when it wants to switch the thread that is making the request to CICS to the user ID passed in the client principal, instead of using <code>SURROGAT</code> rights.
<code>display_timings</code>	Specifies that the server adapter print timestamps showing how long it takes to process requests in CICS.
<code>call_accounting_dll</code>	If set to <code>yes</code> , this causes the accounting DLL to be loaded and accounting statistics to be displayed after each client request has been processed. The default is <code>no</code> . Refer to “Loading the Accounting DLL into the Server Adapter” on page 259 for more details.
<code>capture_first_argument_in_dynany</code>	If set to <code>yes</code> , this passes the first argument of the request to the <code>IT_MFA_display_account_information()</code> function as a dynamic any. The default is <code>no</code> . Refer to “Loading the Accounting DLL into the Server Adapter” on page 259 for more details.
<code>object_publishers</code>	Specifies where the adapter can publish its object references. Valid options are <code>"naming_service"</code> to publish object references to the Naming Service, and <code>"filesystem"</code> to publish object references to file. The default value is <code>""</code> . See “Exporting Object References at Runtime” on page 260 for more details.
<code>write_iors_to_file</code>	This item has now been deprecated and is superseded by the <code>plugins:cicsa:object_publisher:filesystem:filename</code> configuration item described next.

<pre>object_publisher: filesystem:filename</pre>	<p>This supercedes the <code>plugins:cicsa:write_iors_to_file</code> configuration item. It specifies the file that should be used if you want the adapter to export object references to a file. You can specify the full path to an HFS filename, a PDS member name, or a PDS name as the value for this item. If this configuration item is not included in the adapter's configuration, no object references are exported to file. See "Exporting Object References at Runtime" on page 260 for more details.</p>
<pre>write_iors_to_ns_context</pre>	<p>This item has now been deprecated and is superceded by the <code>plugins:cicsa:object_publisher:naming_service:context</code> configuration item described next.</p>
<pre>object_publisher: naming_service: context</pre>	<p>This supercedes the <code>plugins:cicsa:write_iors_to_ns_context</code> configuration item. It specifies the Naming Service context that should be used if you want the adapter to export object references to a Naming Service context. If this configuration item is not included in the adapter's configuration, no object references are exported to a Naming Service context. See "Exporting Object References at Runtime" on page 260 for more details.</p>
<pre>object_publisher:naming_ service:update_mode</pre>	<p>Specifies whether adapter-deployed objects should only be published during start-up, or whether updates should also be published. Valid values are "startup" and "current". The default value is "startup". See "Exporting Object References at Runtime" on page 260 for more details.</p>
<pre>place_iors_in_nested_ns_ scopes</pre>	<p>This item has been deprecated and is superceded by the <code>plugins:cicsa:object_publisher:naming_service:nested_scopes</code> configuration item described next.</p>

<code>object_publisher:naming_</code>	This supercedes the <code>plugins:cicsa:place_</code>
<code>service:nested_scopes</code>	<code>iors_in_nested_ns_scopes</code> configuration item. If this configuration item is set to <code>"false"</code> , the IOR is stored in the specified scope in the Naming Service. If this configuration item is set to <code>"true"</code> , the module name(s) of the interface for the IOR are used to navigate subsopes from the configured scope, with the same names as the module names, and the IOR is then placed within the relevant subscope. The default is <code>"false"</code> . See “Exporting Object References at Runtime” on page 260 for more details.
<code>publish_all_iors</code>	If set to <code>yes</code> , this instructs the adapter to export object references for the <code>MappingGateway</code> interface, the <code>cicsraw</code> interface, and all interfaces specified in the adapter mapping file. If set to <code>no</code> , this instructs the adapter to export object references for the <code>MappingGateway</code> and <code>cicsraw</code> interfaces only. The default is <code>no</code> . See “Exporting Object References at Runtime” on page 260 for more details.
<code>remove_ns_iors_on_</code> <code>_shutdown</code>	If set to <code>yes</code> , this instructs the adapter to unbind the object references from the Naming Service when shutting down normally. The default is <code>no</code> . See “Exporting Object References at Runtime” on page 260 for more details.
<code>write_iors_to_ns_group</code> <code>_with_prefix</code>	This item has been deprecated and is superceded by the <code>plugins:cicsa:object_publisher:naming_service:group:prefix</code> configuration item described next.

`object_publisher:naming_service:group:prefix` `write_iors_to_ns_group_with_prefix` This supersedes the `plugins:cicsa:write_iors_to_ns_group_with_prefix` configuration item. It specifies the prefix that should be attached to each generated name indicating an interface, if you want the adapter to export object references to a Naming Service object group. This prefix is attached to the generated name, to specify the object group that is to be used.

If this configuration item is not included in the adapter's configuration, no object references are exported to any Naming Service object groups. See [“Exporting Object References at Runtime” on page 260](#) for more details.

`write_iors_to_ns_group_member_name` This item has been deprecated and is superseded by the `plugins:cicsa:object_publisher:naming_service:group:member_name` configuration item described next.

`object_publisher:naming_service:group:member_name` `write_iors_to_ns_group_member_name` This supersedes the `plugins:cicsa:write_iors_to_ns_group_member_name` configuration item. It specifies the member name that the adapter should use in the object group. A unique member name must be specified for each adapter; otherwise, one adapter might end up replacing the object group members of another adapter. See [“Exporting Object References at Runtime” on page 260](#) for more details.

Summary of items for the `cics_exci` plug-in

The following is a summary of the configuration items associated with the `cics_exci` plug-in. Refer to [“EXCI Plug-In Configuration Items” on page 72](#) for more details.

<code>applid</code>	Specifies the <code>APPLID</code> of the CICS region to which the server adapter is to connect. The default is <code>CICSAPPL</code> .
<code>pipe_name</code>	Specifies the <code>NETNAME</code> of a CICS-specific EXCI connection for the CICS server adapter to use. The default is <code>ORXPIPE1</code> .
<code>pipe_type</code>	Specifies whether specific or generic EXCI sessions are to be used. Valid values are <code>SPECIFIC</code> and <code>GENERIC</code> . The default is <code>SPECIFIC</code> .
<code>default_tran_id</code>	Specifies the default EXCI mirror transaction ID that is used on the CICS EXCI when the client makes a request. The default is <code>ORX1</code> .
<code>max_comm_area_length</code>	Specifies the maximum size, in bytes, of the <code>COMMAREA</code> block (that is, the buffer that is to be available to exchange data with the CICS programs). The default value is <code>32000</code> .
<code>check_if_cics_available</code>	If this is set to <code>"yes"</code> , CICS must be available before you start the CICS server adapter in EXCI mode. The default is <code>"no"</code> , to allow the CICS server adapter to start even if CICS is not available.

Summary of items for the `cics_appc` plug-in

The following is a summary of the configuration items associated with the `cics_appc` plug-in. Refer to the [“APPC Plug-In Configuration Items” on page 88](#) for more details.

<code>cics_destination_name</code>	Specifies a symbolic name that identifies the APPC LU (Logical Unit) name for the CICS region to which the CICS server adapter connects. The default value is <code>ORBXCICS</code> .
<code>appc_outbound_lu_name</code>	Specifies the CICS server adapter’s APPC LU name. The default value is <code>none</code> , which means that the system base LU is used.

<code>timeout</code>	Specifies the number of minutes that the CICS server adapter waits for a response from CICS before cancelling the request. The default value is no timeout.
<code>segment_length</code>	Specifies the maximum size, in bytes, of each APPC data segment. The default value is 32767, which is also the maximum.

Summary of items for the rrs plug-in

The following is a summary of the configuration items associated with the `rrs` plug-in. Refer to [“RRS Plug-In Configuration Items” on page 100](#) for more details.

<code>rm_name</code>	The resource manager name that the CICS server adapter uses to register with RRS. Ensure that this variable is not specified in the configuration scope of the CICS server adapter, if you do not want the RRS plug-in loaded.
<code>initial_references:IT_RRS:plugin</code>	Indicates to the CICS server adapter that it is the plug-in to loaded to enable communication with RRS. This is required if the <code>rrs</code> plug-in is used.

Summary of remaining configuration items

The following is a summary of the remaining configuration items. Refer to [“CICS Server Adapter Service Configuration Details” on page 57](#) and the *CORBA Administrator’s Guide* for more details.

<code>thread_pool:initial_threads</code>	Specifies the initial number of threads that are created in the thread pool to send requests to CICS. This item is optional. The default value is 5.
<code>thread_pool:high_water_mark</code>	Specifies the maximum number of threads created in the CICS server adapter thread pool to send requests to CICS. This item is optional. Default value is -1.

<code>event_log:filters</code>	Specifies the types of events that the CICS server adapter logs.
<code>orb_plugins</code>	List of standard ORB plug-ins the CICS server adapter should load.
<code>initial_references:IT_MFA:reference</code>	IOR used by <code>itadmin</code> to contact the CICS server adapter—added to configuration after the server adapter has been run in prepare mode.
<code>initial_references:IT_cicraw:plugin</code>	Specifies the CICS transport-level plug-in that is to be loaded. Valid values are <code>"cics_exci"</code> and <code>"cics_appc"</code> . When preparing the CICS server adapter, using the JCL in <code>orbixhlg.JCLLIB (PREPCICA)</code> , this must be set to <code>"cics_exci"</code> to allow the prepare JOB to complete with condition codes of zero.
<code>initial_references:IT_WTO_Announce:plugin</code>	This is used in conjunction with <code>generic_server:wto_announce:enabled</code> to enable the loading of the WTO announce plug-in in an IONA service, such as the CICS server adapter. This item must be set to <code>"wto_announce"</code> to enable messages to be written to the operator console on starting or shutting down successfully.
<code>generic_server:wto_announce:enabled</code>	This is used in conjunction with <code>initial_references:IT_WTO_Announce:plugin</code> to enable the loading of the WTO announce plug-in in an IONA service, such as the CICS server adapter. This item must be set to <code>"true"</code> to enable messages to be written to the operator console on starting or shutting down successfully.

<p>policies:iiop:server_version_policy</p>	<p>If this is set to "1.1", the server adapter publishes a version 1.1 IOR which instructs clients to communicate over GIOP 1.1. If this is set to "1.2" (the default), 1.2 is used as the default GIOP version. See "Configuring the CICS Server Adapter for Client Principals" on page 101 for more details.</p>
<p>policies:giop:interop_policy:enable_principal_service_context</p>	<p>For GIOP 1.2, if this is set to "true", it instructs the CICS server adapter to look for the principal string in a service context. The default is "false". See "Configuring the CICS Server Adapter for Client Principals" on page 101 for more details.</p>
<p>policies:giop:interop_policy:principal_service_context_id</p>	<p>If <code>principal_service_context_id</code> is set to "true", this item specifies the service context ID from which the CICS server adapter attempts to read the principal string. See "Configuring the CICS Server Adapter for Client Principals" on page 101 for more details.</p>

CICS Server Adapter Service Configuration Details

This chapter provides details of the configuration items for the CICS Server Adapter's application service plug-in. These items are used to specify parameters such as TCP/IP transport details, the level of Orbix event logging, and mapping information for mapping IDL operations to CICS programs.

Overview

This chapter discusses the following topics:

- [Persistence mode](#)
- [Host name](#)
- [Well known addressing](#)
- [Initial threads in thread pool](#)
- [Maximum threads in thread pool](#)
- [Alternate workqueue for the MappingGateway](#)
- [IT_cicsraw initial reference](#)

- [IT_MFA initial reference](#)
- [Orbix event logging](#)
- [WTO announce plug-in](#)
- [ORB plug-ins list](#)
- [POA prefix](#)
- [Displaying transaction processing times](#)
- [Mapping file](#)
- [Type information mechanism](#)
- [IFR signature cache file](#)
- [type_info store](#)

Persistence mode

The related configuration item is `plugins:cicsa:direct_persistence`. It specifies the persistence mode policy adopted by the CICS server adapter. If you want the server adapter to run as a standalone service, set this to `yes`. If you set this to `no`, the server adapter contacts and registers with the locator service.

Host name

The related configuration item is `plugins:cicsa:iiop:host`. It specifies the name of the host on which the CICS server adapter is running. This host name is contained in IORs exported by the CICS server adapter.

Well known addressing

Configuration items for well known addressing can be specified on the IIOP and secure IIOP plug-ins that are loaded by the CICS server adapter. For example, you can use `plugins:cicsa:iiop:port` to specify a fixed TCP/IP port that the CICS server adapter uses to listen for insecure incoming CORBA requests. If the adapter is running with direct persistence enabled, the specified port number is published in the IORs generated by the adapter in prepare mode, and in any IORs returned by the `MappingGateway` interface. Refer to [“Using the MappingGateway Interface” on page 234](#) for more details. If the adapter is running in indirect persistent mode, the locator’s addressing information is published in the IORs; however, in this case, the adapter still listens on the specified port.

The specified port number cannot be less than 1025, because the TCP/IP port numbers up to and including 1024 are reserved for TCP/IP services. Therefore, ensure that you do not use a port that is allocated to some other TCP/IP service on the machine. The server adapter checks to see if the port is available before it attempts to use it.

Initial threads in thread pool

The related configuration item is `thread_pool:initial_threads`. It specifies the initial number of threads that are created in the thread pool to send requests to CICS. This item is optional. The default value is "5".

Maximum threads in thread pool

The related configuration item is `thread_pool:high_water_mark`. It specifies the maximum number of threads created in the CICS server adapter thread pool to send requests to CICS. This item is optional. Default value is -1.

Alternate workqueue for the MappingGateway

The related configuration item is `plugins:cicsa:alternate_endpoint`. It allows the CICS server adapter to be configured so that requests to the `MappingGateway` administrative interface are processed by threads on an alternate workqueue instead of using the thread resources of the main automatic workqueue. This allows the main workqueue to remain dedicated to processing requests that are destined for CICS.

The associated thread pool settings can then be configured as follows:

```
plugins:cicsa:alternate_endpoint:thread_pool:high_water_mark =
    "-1";
plugins:cicsa:alternate_endpoint:thread_pool:low_water_mark =
    "-1";
plugins:cicsa:alternate_endpoint:thread_pool:initial_threads =
    "2";
plugins:cicsa:alternate_endpoint:thread_pool:max_queue_size =
    "-1";
```

The preceding values correspond to the default settings that are assumed if these items are omitted from the CICS server adapter configuration. See the *CORBA Administrator's Guide* for general information on thread pools and workqueues.

If you have configured the CICS server adapter to use direct persistence, you must specify the addressing information for the listener associated with the `MappingGateway` interface's alternate endpoint. You can specify well-known addressing information as follows:

```
plugins:cicsa:alternate_endpoint:iiop:port = "5007";
plugins:cicsa:alternate_endpoint:iiop:host = "hostname";
```

The IOR that is published by the server adapter for the `MappingGateway` interface now includes this addressing information.

IT_cicsraw initial reference

The related configuration item is `initial_references:IT_cicsraw:plugin`. The `cicsa` plug-in uses this configuration item to establish the name of the CICS transport-level plug-in to be loaded. To load the CICS EXCI plug-in, set this item to `cics_exci`. To load the CICS APPC plug-in, set this item to `cics_appc`.

This plug-in is used by the CICS server adapter service to communicate with CICS—it is therefore required for processing both the `cicsraw` interface and mapped IDL interface requests. This item is required.

Note: When preparing the CICS server adapter, using the JCL in `orbixhlq.JCLLIB(PREPCICA)`, set this value to `"cics_exci"`. This allows the prepare JOB to complete with condition codes of zero.

IT_MFA initial reference

The related configuration item is `initial_references:IT_MFA:reference`. This specifies the IOR that is used by `itadmin` to contact the CICS server adapter. This is added to the adapter configuration after the server adapter has been run in prepare mode.

Orbix event logging

The related configuration item is `event_log:filters`. It is used in Orbix configuration to specify the level of event logging. To obtain events specific to the CICS server adapter, the `IT_MFA` event logging subsystem can be added to this list item. For example:

```
event_log:filters = ["*=WARN+ERROR+FATAL",
  "IT_MFA=INFO_HI+INFO_MED+WARN+ERROR+FATAL"];
```

This then logs all `IT_MFA` events (except for `INFO_LOW` — low priority informational events), and any warning, error, and fatal events from all other subsystems (for example, `IT_CORE`, `IT_GIOP`, and so on). The level of detail that is provided for `IT_MFA` events can therefore be controlled by setting the relevant logging levels. Refer to the *CORBA Administrator's Guide* for more details.

The following is a categorization of the informational events associated with the `IT_MFA` subsystem.

<code>INFO_HI</code>	Configuration settings and CICS server adapter startup and shutdown messages
<code>INFO_MED</code>	Mapping gateway actions and CICS EXCI/APPC calls, including return codes
<code>INFO_LOW</code>	CICS segment data streams and RRS actions

Note: To enable the logging of user ID details sent into CICS via EXCI when the `plugins:cicsa:use_client_principal_security` configuration item is set to `true`, the `event_log:filters` configuration item must contain `INFO_MED` in its list of values for the `IT_MFA` filter, as shown in the preceding example.

WTO announce plug-in

Orbix applications may be configured to write messages to the operator console on starting or shutting down successfully. This can be useful for automated operations software to keep track of these events. The WTO announce plug-in is used to implement this feature.

To enable the loading of the WTO announce plug-in in an IONA service, such as the CICS server adapter, add the following two configuration items in the `iona_services.cicsa` scope:

- `initial_references:IT_WTO_Announce:plugin = "wto_announce";`

- `generic_server:wto_announce:enabled = "true";`

Note: For customer-developed Orbix applications (for example, a batch COBOL or PL/I server), the `wto_announce` plug-in should be added to the end of the `orb_plugins` list in that particular application's ORB configuration. (See [“ORB plug-ins list”](#) next for more details.) However, for all IONA services (by default, within the `iona_services` configuration scope), IONA recommends that you load the `wto_announce` plug-in by specifying the two preceding configuration items rather than by adding the `wto_announce` plug-in to the `orb_plugins` list.

When you load the WTO announce plug-in, a WTO message is issued when the server adapter ORB starts up and shuts down. Messages take the following format:

```
+ORX2001I ORB iona_services.cicsa STARTED (HOSTNAME:<process id>)
+ORX2002I ORB iona_services.cicsa ENDED (HOSTNAME: <process id>)
```

On UNIX System Services, `<process id>` is a pid. On native z/OS, `<process id>` is a job name and an `A=xxxx` job identifier.

ORB plug-ins list

The related configuration item is `orb_plugins`. It specifies the ORB-level plug-ins that should be loaded in your application at `ORB_init()` time. On z/OS, you can add the WTO announce plug-in support to any customer-developed Orbix application by updating this list in the relevant configuration scope. For example:

```
orb_plugins = ["iiop_profile", "giop", "iiop",
              "local_log_stream", "wto_announce"];
```

In the case of the CICS server adapter's configuration (that is, in the `iona_services.cicsa` scope itself) the `wto_announce` plug-in should not be included in this list, as discussed in [“WTO announce plug-in” on page 61](#).

If RRS support is required, you can add the OTS plug-in to this list. For example, in the `iona_services.cicsa` scope:

```
orb_plugins = ["iiop_profile", "giop", "iiop",
              "local_log_stream", "ots"];
```

POA prefix

The related configuration item is `plugins:cicsa:poa_prefix`. It specifies the prefix to be assigned to the POA name used by the CICS server adapter. The default value is `IT_MFA_`. This POA name is embedded in the object key of the IOR that is published by the server adapter in `prepare` mode, and obtained with `resolve` from the Mapping Gateway interface. The POA name is not significant in a server that runs in direct persistent mode; however, it can be useful for the purposes of keeping track of IORs in an environment where multiple CICS server adapters are being deployed.

Displaying transaction processing times

The related configuration item is `plugins:cicsa:display_timings`. This is set to "no" by default. If you set this to "yes", the server adapter produces output similar to the following:

```
2005-05-20 02:07:46: Simple/SimpleObject: call_me: 1: +0 ms, 2: +37ms, 3: +45ms, 4: +51ms
```

Each item of output contains one line. Each line shows the date and time when the corresponding request was completed, the name of the interface and operation, and the timestamps at each of the four measurement points (in milliseconds). All timestamps are relative to the first measurement point. Therefore, the first measurement point always shows zero milliseconds.

The four measurement points taken are:

1. After the dispatching handler thread gets the request from the server adapter's pending request work queue.
2. Before sending the request to CICS.
3. After receiving the response from CICS.
4. Before sending the response back to the client, using IIOp.

The times measured do not include any time that the request has waited for a server adapter processing thread to become available. If you therefore have five threads in the server adapter, and send six requests at exactly the same moment, the times displayed for the sixth request do not include the time it waited in the server adapter input queue for a thread to become available.

The first measurement point is taken before the data is marshalled from the IIOp request buffer, and is exactly the same point in the source code for each version of the server adapter.

The second and third measurement points are only approximately the same point in the source code for each version of the server adapter CICS transport (EXCI or APPC) plug-ins.

The fourth point is taken after the data has been marshalled back into the IIOF request buffer, but before it is transmitted to the client. It is also exactly the same point in the source code for each version of the server adapter.

No information is displayed for threads with IDs greater than 99. The use of `plugins:cicsa:display_timings` can cause a small decrease in the performance of server adapters, as opposed to when the server adapters are running without `plugins:cicaa:display_timings`.

Mapping file

The related configuration item is `plugins:cicsa:mapping_file`. You can use this to specify either a native z/OS dataset name or a fully qualified pathname to a z/OS UNIX System Services file. The contents of the specified file represent the mappings between IDL operations that the adapter supports and target CICS program names. The mapping file is read by the adapter when it starts. Refer to [“The Mapping File” on page 200](#) for more details.

Type information mechanism

The related configuration item is `plugins:cicsa:repository_id`. It specifies the repository used by the CICS server adapter to store operation signatures. Two repositories are supported: IFR (`"ifr"`) and type_info store (`"type_info"`). The default is `ifr`. Refer to [“Using type_info store as a Source of Type Information” on page 216](#) for more information on the role of type information. You can also set this item to `"none"`, to indicate that the adapter should only support `cicsraw` and not attempt to read type information from anywhere.

IFR signature cache file

If the CICS server adapter is configured to use the IFR as the type information repository (a store of operation signatures), an IFR signature cache file can be used to improve performance. The related configuration item is `plugins:cicsa:ifr:cache`. Refer to [“Using an IFR Signature Cache file” on page 214](#) for more information on how IFR signature cache files work.

The filename specification for the signature cache file can take one of several forms:

- The following example reads the mappings from a file in the z/OS UNIX System Services hierarchical file system (HFS):

```
plugins:cicsa:ifr:cache = "/home/user/sigcache.txt";
```

- The following example shows the syntax to indicate that the mappings are cached in a flat file (PS) data set, which is created with the default attributes used by the LE runtime:

```
plugins:cicsa:ifr:cache = "//orbixhlq.DEMOS.IFRCACHE";
```

The data set is created with the default attributes used by the LE runtime. Depending on the number of interfaces and the complexity of the types used, this might not be large enough. In this case, the CICS server adapter saves as many cache entries as possible and then issues error messages. If this occurs, you should preallocate a larger data set with the same attributes, and use this name the next time you start the server adapter.

Note: Do not use members of partitioned data sets as a signature cache file.

type_info store

If the CICS server adapter is configured to use a `type_info` store as the type information repository (a store of operation signatures), the location of the store must be supplied. The related configuration item is

```
plugins:cicsa:type_info:source.
```

The `plugins:cicsa:type_info:source` variable can be set to one of the following:

- An HFS file (z/OS UNIX System Services)
Specifies a file to use as a `type_info` source. Operation signatures are read from this file during start-up. If a refresh is requested (via `itadmin mfa refresh` for example), this file is re-read. For example:

```
plugins:cicsa:type_info:source = "/home/bob/type_info.txt";
```

- An HFS directory (z/OS UNIX System Services)
Specifies a directory to use as a `type_info` source. Operation signatures are read from all files in this directory during start-up. If a refresh is

requested, all files in the directory are browsed until the relevant operation signature(s) are found. For example:

```
plugins:cicsa:type_info:source = "/home/bob/typeinfo_store";
```

- A PDS member (native z/OS)
Specifies a PDS member (batch) to use as a type_info source. Operation signatures are read from this member during start-up. If a refresh is requested, this member is re-read. For example:

```
plugins:cicsa:type_info:source = "//MY1.TYPEINFO(MYINFS)";
```

- A PDS (native z/OS)
Specifies a dataset to use as a type_info source. Operation signatures are read from all members in this dataset during start-up. If a refresh is requested, all members in the dataset are browsed until the relevant operation signature(s) are found. For example:

```
plugins:cicsa:type_info:source = "//MY1.TYPEINFO";
```

For PDS names, you can use a DD name, as long as this is defined to the CICS server adapter start JCL, *orbixh1q.JCLLIB* (CICSA).

Note: The use of HFS directories or a PDS is preferable to the use of flat files, because these methods are better suited to the dynamic addition or removal of interface information, and they can also address IDL versioning.

Configuring the CICS Server Adapter EXCI Plug-In

This chapter describes how to configure the CICS server adapter to use EXCI to communicate with CICS.

In this chapter

This chapter discusses the following topics:

Setting Up EXCI for the CICS Server Adapter	page 68
EXCI Plug-In Configuration Items	page 72

Setting Up EXCI for the CICS Server Adapter

Overview

This section describes the steps to set up EXCI for the CICS server adapter. It discusses the following topics:

Installing Support for IRC for the External Call Interface	page 69
Installing Sample Orbix CICS Resource Definitions	page 70
Updating Access Permissions for CICS Resources	page 71

Further reading

Refer to the manual *CICS/ESA 4.1 Intercommunication Guide* or the equivalent CICS TS manuals for details on installing IRC support in CICS.

Refer to the manual *CICS/ESA 4.1 External CICS Interface* or the equivalent CICS TS manuals (*CICS TS External Interfaces Guide*) for details on EXCI used by the Orbix CICS server adapter.

Refer to the section on security in the IBM publication *EXCI reference*, SC26-8743 for details on security-related questions.

Installing Support for IRC for the External Call Interface

Overview

Support for Inter Region Communication (IRC) must be installed in CICS, and a number of definitions must be made in CICS to support the EXCI mechanism used by Orbix CICS.

This subsection discusses the following topics:

- [Enabling IRC](#)
- [Confirmation IRC is activated](#)

Enabling IRC

In general, IRC can be enabled by specifying the CICS parameter `IRC=YES` or `IRCSTRT=YES` (depending on the version), and by using the default CICS definitions in the CICS System Definition Data Set (CSD) group `DFH$EXCI` that are delivered with CICS by default. These definitions are sufficient to get started and they can be used as models for any future requirements you might have.

Confirmation IRC is activated

The following message is issued if this support is active and installed correctly within CICS:

```
DFHSI1519I CICS The interregion communication session was  
successfully started.
```

If this message is not issued, the CICS server adapter cannot use EXCI to communicate with the CICS region.

Installing Sample Orbix CICS Resource Definitions

Overview

This subsection discusses the following topics:

- [Location of sample JCL to run DFHCSDUP](#)
- [Using the sample JCL](#)
- [Achieving optimal performance](#)

Location of sample JCL to run DFHCSDUP

The *orbixhlq.JCLLIB(ORBIXCSD)* data set contains a job to run DFHCSDUP, which is the CICS offline resource definition utility, to define the CICS resources used by the sample jobs and demonstrations.

Using the sample JCL

You can run the sample ORBIXCSD JCL as is, or just use it as a reference when defining the resources online with the CEDDA transaction. When the resources have been defined, use CEDDA to install the whole group.

Achieving optimal performance

To achieve optimal performance, update the value of "RECEIVECOUNT" in the definition of the ORX1 session to ensure that it matches the maximum number of threads specified for the CICS server adapter via the `thread_pool:high_water_mark` configuration item.

Updating Access Permissions for CICS Resources

Overview

To use the CICS server adapter with a secured CICS region, a number of RACF definitions must be added or changed. Details of the relevant CICS security mechanisms are described in the chapter [“Securing the CICS Server Adapter” on page 173](#). The following are some examples of RACF commands that are needed to establish the necessary permissions.

This subsection discusses the following topics:

- [Prerequisites](#)
- [Running the server adapter in default mode](#)

Prerequisites

Depending on what security options are enabled in your CICS region, or if the region uses `SECPREFX=YES`, or if you use group instead of member RACF classes, the commands for your region might differ.

Running the server adapter in default mode

When you run the server adapter in default mode, it requires access to the EXCI connection, the CICS region, and the EXCI mirror transaction. If user security is enabled on the EXCI connection (`ATTACHSEC(IDENTIFY)`), clients of the server adapter might need access to the EXCI mirror transaction.

The following is an example of the commands for the default mode:

```
RDEFINE FACILITY (DFHAPPL.ORXPIPE1) UACC(NONE)
PERMIT DFHAPPL.ORXPIPE1 CLASS(FACILITY) ID(Adapter)
ACCESS(UPDATE)

RDEFINE FACILITY (DFHAPPL.CICS) UACC(NONE)
PERMIT DFHAPPL.CICS CLASS(FACILITY) ID(Adapter) ACCESS(READ)

RDEFINE TCICSTRN ORX1 UACC(NONE)
PERMIT ORX1 CLASS(TCICSTRN) ID(Adapter) ACCESS(READ)
PERMIT ORX1 CLASS(TCICSTRN) ID(client1, client2,...) ACCESS(READ)
```

EXCI Plug-In Configuration Items

In this section

This section provides a detailed description of the EXCI plug-in configuration items. It discusses the following topics:

- [CICS APPLID](#)
 - [CICS connection name](#)
 - [CICS connection type](#)
 - [CICS mirror transaction](#)
 - [CICS COMMAREA length](#)
 - [CICS availability](#)
-

CICS APPLID

The related configuration item is `plugins:cics_exci:applid`. It specifies the `APPLID` of the CICS region to which the server adapter is to connect. The CICS server adapter communicates with only one CICS region. If

`cics_exci:check_if_cics_available` is set to "yes", the specified `APPLID` is verified when the server adapter starts. This means that the CICS region has to be available when you start the server adapter in prepare mode. The CICS region does not have to be available, however, if `cics_exci:check_if_cics_available` is set to "no".

CICS connection name

The related configuration item is `plugins:cics_exci:pipe_name`. It specifies the `NETNAME` of a CICS-specific EXCI connection for the CICS server adapter to use. By default, the server adapter uses the specific connection that is defined to EXCI for communicating with CICS. You can also use the CICS generic connection. However, because this resource must be shared by all the EXCI programs in your system, there might be times when it is temporarily unavailable to the CICS server adapter. In such cases, the CICS server adapter might not be able to process an incoming client request. Better availability can be achieved by specifying a specific EXCI connection that is dedicated to each server adapter.

CICS connection type

The related configuration item is `plugins:cics_exci:pipe_type`. It specifies whether specific or generic EXCI sessions are to be used. Valid values are `SPECIFIC` and `GENERIC`.

CICS mirror transaction

The related configuration item is `plugins:cics_exci:default_tran_id`. It specifies the default CICS mirror transaction ID that is used on the CICS EXCI when the client calls `run_program()` or `run_program_binary()` on the `cicsraw` interface to invoke a CICS program or for a mapped transaction.

CICS COMMAREA length

The related configuration item is `plugins:cics_exci:max_comm_area_length`. It specifies the maximum size, in bytes, of the COMMAREA block (that is, the buffer that is to be available to exchange data with the CICS programs). IDL operations with a large number of arguments, or with large data values for arguments, might be rejected if the CICS server adapter cannot marshal their values into this buffer. When the CICS server adapter uses EXCI, a single COMMAREA is used for the request buffer. The standard EXCI limitation on request size (that is, 32K) therefore applies. The default is 3200 bytes per buffer.

CICS availability

The related configuration item is `plugins:cics_exci:check_if_cics_available`. If this is set to `yes`, CICS must be available before you start the CICS server adapter in EXCI mode. The default is `no`, to allow the CICS server adapter to start even if CICS is not available.

Configuring the CICS Server Adapter APPC Plug-In

The APPC plug-in for the CICS Server Adapter uses APPC to pass data into and out of a CICS region. Using this plug-in therefore enables you to avoid the 32K limit imposed by the EXCI plug-in. This chapter describes how to configure the CICS server adapter to use APPC to communicate with CICS.

In this chapter

This chapter discusses the following topics:

Setting Up APPC for the CICS Server Adapter	page 76
Additional RACF Customization Steps for APPC	page 83
APPC Plug-In Configuration Items	page 88

Setting Up APPC for the CICS Server Adapter

Prerequisites to using APPC

Before you can run an Orbix CICS application in your CICS region, you must perform a number of additional steps to enable the required APPC functionality on your z/OS system. Depending on your installation, one or all of these tasks might already have been completed.

Further reading

For more information on setting up APPC/MVS, refer to the IBM publication *MVS Planning: APPC/MVS Management*, GC28-107.

Additionally, you can find specific information about defining APPC links in CICS in the chapter on “Defining APPC Links” in the IBM publication *CICS Intercommunication Guide*, SC33-1695.

In this section

This section discusses the following topics:

Defining LUs to APPC	page 77
Defining an APPC Destination Name for the CICS LU	page 78
Defining LUs to VTAM	page 80

Defining LUs to APPC

Overview

An LU (Logical Unit) name identifies each side of an APPC conversation. It is defined to APPC/MVS in the APPCPMxx member of SYS1.PARMLIB. You must define at least one LU name to use the CICS server adapter. If you want to run multiple server adapters you might want to set up separate LUs for each one.

This subsection discusses the following topics:

- [Specifying the LU name](#)
- [Specifying the VSAM dataset name](#)
- [Location of sample JCL to create a VSAM dataset name](#)
- [RACF APPCLU profile name requirement](#)

Specifying the LU name

The LU name to be used by the server adapter is only used for outbound communication. It can therefore be specified as follows:

```
LUADD ACBNAME (ORXLU02) NOSCHED
```

Specifying the VSAM dataset name

The only other requirement in SYS1.PARMLIB (APPCPMxx) is the specification of the name of the VSAM data set where APPC-side information can be found. This data set is used to define APPC destination names. For example:

```
SIDEINFO DATASET (SYS1.APPCSI)
```

Location of sample JCL to create a VSAM dataset name

If your installation does not already have one, see SYS1.SAMPLIB (ATBSIVSM) for sample JCL to create a VSAM dataset name.

RACF APPCLU profile name requirement

If you define a new LU for the server adapter's use (for example, ORXLU02), that name must be used for the RACF APPCLU profile name. You can use the `plugins:cics_appc:appc_outbound_lu_name` configuration item to define a new LU.

Defining an APPC Destination Name for the CICS LU

Overview

The CICS server adapter connects to a CICS region through an APPC destination name rather than directly through the CICS LU name. This destination name is used to establish various default characteristics for the APPC conversation being initiated; including the name of the partner LU, the transaction program name, and a logon mode name.

This subsection discusses the following topics:

- [Storage of the APPC destination name](#)
 - [Example of the APPC-side information JCL](#)
 - [Explanation of example JCL](#)
-

Storage of the APPC destination name

All this information is stored in the APPC-side information data set. This data set is updated using the `ATBSDFMU` APPC/MVS utility program.

Example of the APPC-side information JCL

The following is an example of JCL to load an entry into the APPC-side information data set.

Example 3: *Example of APPC-Side Information JCL*

```

1 //SIADDEXEC PGM=ATBSDFMU
2 //SYSPRINT DD SYSOUT=*
3 //SYSSDLIB DD DSN=SYS1.APPCSI,DISP=SHR
4 //SYSSDOUT DD SYSOUT=*
//SYSIN DD DATA
SIADD
DESTNAME (ORBXCICS)
TPNAME (CICS)
MODENAME (APPCHOST)
PARTNER_LU (CICSTS1)
/*

```

Explanation of example JCL

The example APPC-side information JCL can be explained as follows:

- 1 For the purposes of the CICS server adapter, `DESTNAME` names the string that is to be passed to the server adapter when it starts up. The associated configuration item is `plugins:cics_appc:cics_destination_name`.
- 2 The `TPNAME` specification names a CICS transaction to run. However, the server adapter overrides this for each conversation. Therefore, its value here is not important.
- 3 The `MODENAME` parameter names an entry in the VTAM logon mode table. This specifies other characteristics that are to be used in the conversation. See the `SYS1.SAMPLIB(ATBLMODE)` data set for a definition of the `APPCHOST` logon mode, and the `SYS1.SAMPLIB(ATBLJOB)` data set for the JCL to install it.
- 4 `PARTNER_LU` must specify the `APPLID` of the CICS region to which you want to connect.

Defining LUs to VTAM

Overview

APPC/MVS expects its LUs to be defined as VTAM resources, so that they can access a SNA network. This subsection discusses the following topics:

- [VTAM requirements for LUs](#)
- [Using SYS1.SAMPLIB\(ATBAPPL\)](#)

VTAM requirements for LUs

Although the CICS server adapter is only intended to run on the same system as the CICS region it communicates with (that is, an LU=LOCAL conversation), VTAM application program definition (APPL) macros must still be coded for each LU. See `SYS1.SAMPLIB(ATBAPPL)` for a sample APPL definition of an APPC LU.

Using SYS1.SAMPLIB(ATBAPPL)

The following definitions for the CICS server adapter LU use the `SYS1.SAMPLIB(ATBAPPL)` definition, with some changes (which are highlighted):

Example 4: *Example of APPL Definitions for CICS and CICS Server Adapter LUs*

```

1 ORXLU02 APPL ACBNAME=ORXLU02, C
  APPC=YES, C
2 SECACPT=CONV, C
3 VERIFY=OPTIONAL, C
  AUTOSES=0, C
  DDRAINL=NALLOW, C
  DLOGMOD=APPCHOST, C
  DMINWNL=5, C
  DMINWNR=5, C
  DRESPL=NALLOW, C
  DSESLIM=10, C
  LMDENT=19, C
  MODETAB=LOGMODES, C
  PARSESS=YES, C
  SRBEXIT=YES, C
  VPACING=1

```


- 1 Both the `ACBNAME=` parameter and the APPL statement label should match the LU name defined to APPC. This LU must be supplied to the APPC-based CICS server adapter via the `plugins:cics_appc:appc_outbound_lu_name` configuration item.
 - 2 `SECACPT=` and `VERIFY=`, in conjunction with some CICS start-up options, specify what authentication and access checks are made when initiating conversations between the LU and CICS. `SECACPT=CONV` indicates that a partner LU must provide user and password information to authenticate itself before being allowed access to resources on the local system. This protects your CICS region from unauthorized access by users on other systems in your SNA network.
 - 3 `VERIFY=OPTIONAL` indicates that the password requirement can be bypassed if LU-LU *session-level verification* can be performed. This allows the server adapter to get access (via the session keys in the `APPCLU` profiles described in [“Session key” on page 85](#)) to the CICS region without having to know the passwords of all its clients.
-

Security considerations

If there is no possibility of unauthorized access from other systems in your SNA network, you might prefer to code `SECACPT=ALREADYV` and `VERIFY=NONE`, indicating that partner LUs do not need to be authenticated. This is safe for `LU=LOCAL` conversations, because user information is provided directly by APPC/MVS, with no opportunity for the programmer of the partner LU to fabricate his identity.

Refer to [“Securing the CICS Server Adapter” on page 173](#) for more details about APPC conversation security and session-level verification.

Defining the Required Resources to CICS

Overview

This subsection provides the location of the JCL used to define required APPC resources to CICS. It also provides information about prerequisites to using this JCL.

This subsection discusses the following topics:

- [Location of required JCL](#)
- [Prerequisites](#)

Location of required JCL

The `orbixhlq.JCLLIB(ORBIXCSD)` JCL member runs the CICS offline resource definition utility to define the required APPC resources to CICS.

Prerequisites

You might need to change the `STEPLIB` and `DFHCSD` DD cards to match your CICS installation.

Additional RACF Customization Steps for APPC

Overview

There are a number of RACF definitions related to APPC that you might need to add or change to run the CICS server adapter. Refer to [“Securing the CICS Server Adapter” on page 173](#) for more details about how the server adapter fits into a secure system environment.

Much of the information provided in this section can be found in the chapter on “Implementing LU 6.2 Security” in the IBM publication *CICS RACF Security Guide, SC33-1701 CICS RACF Security Guide*.

In this section

This section discusses the following topics:

Bind Time Security with APPC	page 84
Protecting LUs	page 86
Link Security & User Security with APPC	page 87

Bind Time Security with APPC

Overview

When a request to establish an APPC session is received from or sent to a remote system (that is, when the session is bound), a security check can be applied. This is called bind-time security and its purpose is to prevent an unauthorized system from binding a session to one of your CICS systems.

This subsection discusses the following topics:

- [Specifying session security at both ends of a connection](#)
- [Bind request prerequisites](#)
- [Implementing bind-time security](#)
- [APPCLU profile name](#)
- [Session key](#)
- [User IDs and APPCLU profiles](#)

Specifying session security at both ends of a connection

When you define an LU 6.2 connection to a remote system, you assume that all inbound bind requests originate in that remote system, and that all outbound bind requests are routed to the same system. However, where there is a possibility that a transmission line might be switched or broken into, you can guard against unauthorized session binds by specifying session security at both ends of the connection.

Bind request prerequisites

For a bind request to succeed, both ends must hold the same session key, which is defined to RACF in an `APPCLU` definition.

Implementing bind-time security

To implement bind-time security for your APPC connection, you need to:

- Specify `SEC=YES` and `XAPPC=YES` in your system initialization table (SIT) and recycle CICS to effect the change.
- Change the `BINDSECURITY` option to `YES` on the `CONNECTION` resource definition in the CSD.
- Define `APPCLU` RACF definitions with *shared session keys* as outlined below.

APPCLU profile name

Each APPCLU profile name has the form:

```
'networkid.local-lu-name.partner-lu-name'
```

and contains information to be used by APPC/MVS on one side of a conversation between the two named LUs. This means each side of a conversation has its own specific profile. For example, if LU ORXLU02 initiates a conversation with the CICS region whose APPLID is CICSTS1, APPC/MVS on the initiating (outbound) side examines the following profile:

```
'networkid.ORXLU02.CICSTS1'
```

and APPC/MVS on the receiving (inbound) side examines this profile:

```
'networkid.CICSTS1.ORXLU02'
```

Session key

Each profile includes a session key, which is a string of letters or numbers, and a CONVSEC setting. When a conversation is initiated between these two LUs, APPC/MVS on the outbound side passes the session key found in its profile to APPC/MVS on the inbound side. If APPC/MVS on the inbound side finds that the received session key matches the session key in its own profile, it overrides the VTAM SECACPT= setting with the CONVSEC setting from its profile. In summary, for a bind request to succeed, both ends must hold the same session key, which is defined to RACF as follows:

```
RDEFINE APPCLU P390.ORXLU02.CICSTS1
      UACC(NONE) SESSION(SESSKEY(137811C0) CONVSEC(ALREADYV))
RDEFINE APPCLU P390.CICSTS1.ORXLU02
      UACC(NONE) SESSION(SESSKEY(137811C0) CONVSEC(ALREADYV))

SETROPTS CLASSACT(APPCLU)
```

User IDs and APPCLU profiles

It is not necessary to permit the server adapter or CICS region to have user IDs for the APPCLU profiles. However, access to the profiles should be tightly controlled to ensure that only appropriate users can read or change the session keys.

Protecting LUs

Overview

This subsection discusses the following topics:

- [User access to LU names](#)
 - [Creating RACF APPCPORT profiles](#)
-

User access to LU names

If you have set up the `APPCLU` profiles that allow a conversation between two specific LU names to bypass password checking, you should limit the users that can initiate or received conversations using those LU names.

Creating RACF APPCPORT profiles

You can do this by creating RACF `APPCPORT` profiles for each LU name and by permitting only certain users access to those profiles. For example:

```
RDEFINE APPCPORT ORXLU02 UACC(NONE)
PERMIT ORXLU02 CLASS(APPCPORT) ID(Adapter) ACCESS(READ)

SETROPTS CLASSACT(APPCPORT) RACLIST(APPCPORT)
```

By having an `ORXLU02` profile, you are restricting the users that can take advantage of the session-level verification provided by the `APPCLU` profiles.

Link Security & User Security with APPC

Overview

Link security and user security further restricts the resources a user can access, depending on the remote system from which they are accessed.

This subsection discusses the following topics:

- [A bound APPC session](#)
- [Specifying ATTACHSEC=](#)

A bound APPC session

When an APPC session is bound, each side tells the other the level of attach-security user verification that is to be performed on its incoming requests. The ATTACHSEC operand on the CONNECTION resource definition in the CSD specifies the sign-on requirements for incoming transaction-attach requests.

Specifying ATTACHSEC=

If you specify `ATTACHSEC=LOCAL`, no user ID is supplied by the remote system. However, if you specify `ATTACHSEC=IDENTIFY`, a user ID is expected on every attach request. Depending on how you want to protect your CICS resources, you might want to change this option. Refer to the *CICS RACF Security Guide* for more information.

APPC Plug-In Configuration Items

Overview

This section discusses the following topics:

- [CICS APPC destination LU name](#)
 - [Server adapter outbound LU name](#)
 - [APPC/CICS transaction request timeout](#)
 - [Data segment length](#)
-

CICS APPC destination LU name

The related configuration item is `plugins:cics_appc:cics_destination_name`. This specifies a symbolic name that identifies the APPC LU name for the CICS region that the CICS server adapter connects to. All incoming client requests are forwarded into the specific CICS region that is associated with this destination name. The default value is `ORBXCICS`.

The specified APPC destination name is verified only when the server adapter first attempts to issue a request to the specified CICS region. This means that the CICS region does not have to be available when you start the APPC-based server adapter.

Server adapter outbound LU name

The related configuration item is `plugins:cics_appc:appc_outbound_lu_name`. This specifies the APPC LU name that the server adapter uses to initiate communication with CICS. This is useful when security considerations prohibit APPC connections between the system base LU and CICS. Refer to [“APPC-Based Security Considerations” on page 191](#) for more details. Refer to [“Defining LUs to APPC” on page 77](#) for an example where the LU name is created as `ORXLU02`.

APPC/CICS transaction request timeout

The related configuration item is `plugins:cics_appc:timeout`. It specifies the number of minutes that the CICS server adapter waits for a response from CICS before cancelling the request. It prevents the server adapter from having to wait indefinitely for a response from CICS if the transaction has stopped for some reason. The default is no timeout.

Data segment length

The related configuration item is `plugins:cics_appc:segment_length`. The CICS server adapter builds up APPC segments of this size. For APPC, multiple buffers of up to this specified length are used to transmit the data. The 32K limit for APPC for a single buffer therefore applies, but all the buffers together can be more than 32K. The default is 32767 bytes per buffer.

Configuring the CICS Server Adapter RRS Plug-In

The RRS plug-in provides integration facilities between the CORBA OTS service in the CICS server adapter and the commit/rollback processing of CICS. This chapter provides an introduction to RRS functionality, shows you how to set up RRS for the CICS server adapter, and provides details of the RRS plug-in configuration items.

In this chapter

This chapter discusses the following topics:

Introduction to RRS	page 92
Setting up RRS for the CICS Server Adapter	page 93
RRS Plug-In Configuration Items	page 100

Introduction to RRS

RRS plug-in functionality

This plug-in can only be used in conjunction with the EXCI transport plug-in. Also, RRS support is only available when using CICS TS 1.3 or higher. The RRS plug-in only becomes involved in the request if the client sends the request with a transaction context. The server adapter therefore supports both transactional and non-transactional requests when the RRS plug-in is enabled. The transactional performance overheads only affect transactional requests. With RRS support, the server adapter only commits or rolls back transactions in CICS when the client program issues the commit or rollback call for a transactional request.

This section discusses the following topics:

- [IORs and transaction support](#)
 - [Further reading](#)
-

IORs and transaction support

IORs for IDL interfaces that support transactional processing have an extra component to indicate to the client that transactional support is available in the server (the server adapter in this case). Ensure that you obtain new IORs from the CICS server adapter using prepare and resolve, and so on, after you have enabled the RRS plug-in. This is because transactional communication between the client program and the server adapter only works with these new IORs with the transaction support component.

Further reading

For further information, refer to the IBM publication *OS/390 MVS Setting up a Sysplex*, GC28-1779.

Further information about System Logger is available in the IBM publication *OS/390 MVS Setting up a Sysplex*, GC28-1779.

Setting up RRS for the CICS Server Adapter

Overview

This section describes what you need to do to use the RRS plug-in with the CICS server adapter. It discusses the following topics:

- [IPL your z/OS system in Sysplex mode](#)
 - [Defining the required log streams](#)
 - [Managing log streams](#)
 - [Starting RRS](#)
 - [Stopping RRS](#)
 - [Restarting CICS when RRS is available on the system](#)
-

IPL your z/OS system in Sysplex mode

RRS requires the use of a sysplex couple data set, which means that your z/OS system must be configured as part of a single-system or multi-system sysplex.

The following steps are required:

Step	Action
1	Change the PLEXCFG parameter in SYS1.PARMLIB (IEASYSXX) to PLEXCFG=MONOPLEX for a single-system sysplex or PLEXCFG=MULTISYSTEM for a multi-system sysplex. PLEXCFG=ANY is also valid.
2	Specify COUPLE _{xx} in SYS1.PARMLIB (IEASYS _{xx}) to identify the COUPLE _{xx} parmlib member that describes the sysplex environment.

Step	Action
3	<p>Use the XCF couple dataset format utility (IXCL1DSU) to create and format all sysplex couple data sets prior to IPLing a system that is to use them. The following JCL can be used:</p> <pre> //STEP1 EXEC PGM=IXCL1DSU //STEPLIB DD DSN=SYS1.MIGLIB,DISP=SHR //SYSPRINT DD SYSOUT=A //SYSIN DD * DEFINEDS SYSPLEX (IONAPLEX) DSN(SYS1.XCF.CDS01) VOLSER (S27VL1) MAXSYSTEM (8) CATALOG DATA TYPE (SYSPLEX) ITEM NAME (GROUP) NUMBER (50) ITEM NAME (MEMBER) NUMBER (120) ITEM NAME (GRS) NUMBER (1) DEFINEDS SYSPLEX (IONAPLEX) DSN(SYS1.XCF.CDS02) VOLSER (S27VL2) MAXSYSTEM (8) CATALOG DATA TYPE (SYSPLEX) ITEM NAME (GROUP) NUMBER (50) ITEM NAME (MEMBER) NUMBER (120) ITEM NAME (GRS) NUMBER (1) /* </pre>
4	<p>Create a COUPLE_{xx} member in SYS1.PARMLIB that includes the couple data sets you have just defined. For example:</p> <pre> COUPLE SYSPLEX (IONAPLEX) PCOUPLE (SYS1.XCF.CDS01) ACOUPLE (SYS1.XCF.CDS02) </pre>
5	IPL your system for the above changes to take effect.

Defining the required log streams

There are two types of log streams:

- Coupling facility log streams.
- DASD-only log streams.

The main difference between the two types of log streams is the storage medium used to hold interim log data. In a coupling facility log stream, interim storage for log data is contained in coupling facility list structures. In

a DASD-only log stream, interim storage for log data is contained in local storage buffers on the system. For the purposes of this demonstration, DASD-only log streams are used.

Prerequisites to running the log streams

RRS requires five log streams to be defined to System Logger. The IBM publication *OS/390 MVS Programming: Resource Recovery, GC28-1739* lists the following initial and recommended sizes for the log streams:

Table 1: *Initial and Maximum Log Stream Sizes*

Log Stream	Initial Size	Maximum Size
RM.Data	1 MB	1 MB
MAIN.UR	5 MB	50 MB
DELAYED.UR	5 MB	50 MB
RESTART	1 MB	5 MB
ARCHIVE	5 MB	50 MB

The initial sizes listed should be sufficient to run the demonstration, but the log streams should be set up with the maximum sizes, if possible, to facilitate future use of RRS on the system. This is because production-level applications require the maximum sizes listed. Also, the `ARCHIVE` stream is not required, but setting it up could help to trace any problems with RRS later on.

Managing log streams

Log streams are managed based on the policy information that is placed in the LOGR couple data set. To do this perform the following steps:

Step	Action
1	<p>Create and format the LOGR couple data set. The following JCL can be used:</p> <pre> //STEP1 EXEC PGM=IXCL1DSU //STEPLIB DD DSN=SYS1.MIGLIB,DISP=SHR //SYSPRINT DD SYSOUT=* //SYSIN DD * DEFINEDS SYSPLEX(IONAPLEX) DSN(SYS1.SLC.FDSS1) VOLSER(S27VL1) DATA TYPE(LOGR) ITEM NAME(LSR) NUMBER(100) ITEM NAME(LSTRR) NUMBER(50) ITEM NAME(DSEXTENT) NUMBER(20) DEFINEDS SYSPLEX(IONAPLEX) DSN(SYS1.SLC.FDSS2) VOLSER(S27VL2) DATA TYPE(LOGR) ITEM NAME(LSR) NUMBER(100) ITEM NAME(LSTRR) NUMBER(50) ITEM NAME(DSEXTENT) NUMBER(20) /* </pre>
2	<p>Update the SYS1.PARMLIB(COUPLExx) member to include the LOGR data sets you have just defined. For example:</p> <pre> DATA TYPE(LOGR) PCOUPLE(SYS1.SLC.FDSS1) ACOUPLE(SYS1.SLC.FDSS2) </pre>

Step	Action
3	<p>Make the LOGR couple data sets available. You can use either of the following ways to make the LOGR datasets available to the system:</p> <ul style="list-style-type: none">◆ IPL the system to activate the newly defined specifications in the COUPLxx member.◆ Issue the following SETXCF operator commands to bring the LOGR data sets online without an IPL: <code>SETXCF COUPLE,TYPE=LOGR,PCOUPLE=(SYS1.SLC.FDSS1)</code> <code>SETXCF COUPLE,TYPE=LOGR,ACOUPLE=(SYS1.SLC.FDSS2)</code>

Step	Action
4	<p>Define the log streams using the IXCMIAPU utility provided in SYS1.MIGLIB. The following JCL can be used:</p> <pre> //STEP1 EXEC PGM=IXCMIAPU //STEPLIB DD DSN=SYS1.MIGLIB,DISP=SHR //SYSPRINT DD SYSOUT=* //SYSIN DD * DATA TYPE (LOGR) REPORT (YES) DEFINE LOGSTREAM NAME (ATR.IONAPLEX.ARCHIVE) HLQ (IXGLOGR) MODEL (NO) LS_SIZE (1024) LOWOFFLOAD (0) HIGHOFFLOAD (80) RETPD (15) AUTODELETE (YES) DASDONLY (YES) DEFINE LOGSTREAM NAME (ATR.IONAPLEX.RM.DATA) HLQ (IXGLOGR) MODEL (NO) LS_SIZE (1024) LOWOFFLOAD (0) HIGHOFFLOAD (80) RETPD (15) AUTODELETE (YES) DASDONLY (YES) DEFINE LOGSTREAM NAME (ATR.IONAPLEX.MAIN.UR) HLQ (IXGLOGR) MODEL (NO) LS_SIZE (1024) LOWOFFLOAD (0) HIGHOFFLOAD (80) RETPD (15) AUTODELETE (YES) DASDONLY (YES) DEFINE LOGSTREAM NAME (ATR.IONAPLEX.DELAYED.UR) HLQ (IXGLOGR) MODEL (NO) LS_SIZE (1024) LOWOFFLOAD (0) HIGHOFFLOAD (80) RETPD (15) AUTODELETE (YES) DASDONLY (YES) DEFINE LOGSTREAM NAME (ATR.IONAPLEX.RESTART) HLQ (IXGLOGR) MODEL (NO) LS_SIZE (1024) LOWOFFLOAD (0) HIGHOFFLOAD (80) RETPD (15) AUTODELETE (YES) DASDONLY (YES) /* </pre>

Starting RRS

Perform the following steps to start RRS:

Step	Action
1	Update the <code>IEFSSNxxx</code> member of <code>SYS1.PARMLIB</code> to add RRS as a z/OS subsystem as follows: <pre>SUBSYS SUBNAME (RRS)</pre> An IPL is required to activate this change. Dynamic subsystem definition is not supported by RRS, so you cannot use the <code>SETSSI ADD, SUBNAME=RRS</code> command to define RRS.
2	Copy <code>SYS1.SAMPLIB (ATRRRS)</code> to <code>SYS1.PROCLIB (RRS)</code>
3	Start RRS by issuing the following operator command: <pre>S RRS</pre>

Stopping RRS

To stop RRS, issue the following command:

```
SETRRS CANCEL
```

Restarting CICS when RRS is available on the system

Add `RRMS=YES` to the CICS SIT table. Restart the CICS region. The following message must appear in the CICS region output to indicate that CICS has attached to RRS:

```
The Resource Recovery Services (RRS) exit manager ATR.EXITMGR.IBM
is now available.
```

RRS Plug-In Configuration Items

Overview

This section discusses the following topics:

- [Server adapter resource manager name](#)
 - [Initial reference name for RRS plug-in](#)
-

Server adapter resource manager name

The related configuration item is `plugins:rrs:rm-name`. It specifies the resource manager name that the CICS server adapter uses to register with RRS. The server adapter registers with RRS as a communications resource manager, because it only forwards transactional requests and does not itself manage incoming data on a transactional basis (that is, it supports only communication and is not a database). Each server adapter should have its own resource manager name that it uses to register with RRS. The resource manager name should also be in a dot-separated format; for example, as follows: `TEST.CICSADAP1.IONA.UA`

According to the rules of RRS on the naming of resource managers, the resource manager name for the server adapter must be suffixed with `.UA`. This indicates to RRS that the server adapter might run without APF authorization and that it does not use any of the RRS services that require APF authorization. The second last item in the name should be the company name that provides this resource manager. Depending on the naming schemes in your company, this should either be `IONA` or the name of your company. Using `IONA` is usually the best option, to ensure that the resource manager names do not conflict with resource managers provided by other companies. The rest of the name should be specified in such a way that it is unique for each server adapter.

The presence of this configuration item instructs the server adapter to attempt to load RRS.

Initial reference name for RRS plug-in

The related configuration item is `initial_references:IT_RRS:plugin`. It specifies that the RRS plug-in should be used for RRS services in the server adapter. This should always be set to `rrs` and is a required item if RRS is used.

Configuring the CICS Server Adapter for Client Principals

The CICS server adapter can be configured to read the client principal from incoming GIOP 1.0 and 1.1 requests. It can also be configured to read the principal from a service context for GIOP 1.2. If the server adapter reads the principal from the GIOP request, it passes it into CICS for mapped requests. The server adapter can also run the transaction in CICS under the user principal obtained from the client. This chapter explains how to configure the server adapter to use client principals.

In this chapter

This chapter discusses the following topics:

Activating Client Principal Support	page 103
Setting up the Required Privileges	page 107

[Additional Requirements for CICS Protocol Plug-Ins](#)

[page 109](#)

Note: See [“Securing and Using the CICS Server Adapter”](#) on [page 171](#) for more details about the use of client principals when running the server adapter in secure mode.

Activating Client Principal Support

Overview

For IDL mapped requests, the server adapter marshals the principal data into CICS, making it available to the Orbix server inside CICS. The server adapter can also be configured to run the transaction in CICS under this client's user ID for both `cicsraw` requests and mapped requests.

This section discusses the following topics:

- [Using CORBA::Principal](#)
- [Configuring the cicsa plug-in](#)

Using CORBA::Principal

`CORBA::Principal` has been deprecated by the OMG in GIOP 1.2 and higher. Hence the principal can only be made available to the server adapter via GIOP 1.0 or 1.1 client requests. However, GIOP 1.2 can still be used. In this case, the client must pass the principal string in a service context and the server adapter must be configured to read the principal from this service context.

Configuring the cicsa plug-in

To configure `client_principal` support, the following items within the server adapter's configuration scope must be reviewed.

Table 2: *Client Principal Support and cicsa Plug-In Configuration Items (Sheet 1 of 3)*

Configuration Item	Description
plugins:cicsa:use_client_principal	<p>When this item is set to "true", the principal is be obtained from GIOP, truncated to eight characters and converted to uppercase. The CICS server adapter then also runs the transaction under the user ID. If no principal is available or it is invalid, the transaction fails.</p> <p>Setting this item to "true", therefore, instructs the CICS server adapter to use z/OS services, to assume the identity of the client when communicating with CICS. This results in CICS and either APPC or EXCI making their security checks against that user ID. If this option is not specified, the security checks are made against the user ID of the server adapter itself. The use of this option requires that the server adapter has special privileges set up. See "Securing the CICS Server Adapter" on page 173 for more details about using this configuration item. When this item is set to "false", the transaction runs under the server adapter's user ID.</p> <p>When this item is set to "true" or "false", the principal is still obtained from GIOP and passed as is (apart from being converted from ASCII to EBCDIC) to the transaction inside CICS, if <code>cicsraw</code> is not being used. If the client principal is not available from GIOP, it is not passed as part of the request to CICS, but the transaction is still executed.</p> <p>The default is "false".</p>
plugins:cicsa:use_client_principal_user_security	<p>This is used only with CICS EXCI. When this item is set to "true", the CICS server adapter is to provide the client principal user ID rather than its own user ID on the request to start the target CICS program.</p> <p>The default is "false".</p>

Table 2: *Client Principal Support and cicsa Plug-In Configuration Items (Sheet 2 of 3)*

Configuration Item	Description
<p><code>plugins:cicsa:use_client_password</code></p>	<p>When this item is set to "yes", it indicates that the CICS server adapter should use a client password when it wants to switch the thread that is making the request to CICS to the user ID passed in the client principal, instead of using <code>SURROGAT</code> rights. The format of the principal sent by the client application must then take the form <code>userid;password</code> (that is, user ID and password separated by a colon) instead of the normal <code>userid</code> format.</p> <p>When using this option, there is a risk that the password might be displayed in the CICS server adapter output or that the password might be obtained from the IIOp message on the network if TLS is not used. You should therefore consider these security implications before using this configuration item to send passwords from the client. The default is "no".</p>
<p><code>policies:iiop:server_version_policy</code></p>	<p>If this is set to 1.1, the server adapter publishes a version 1.1 IOR which instructs clients to communicate over GIOP 1.1. In this case, the principal is transmitted in the <code>CORBA::Principal</code> field.</p> <p>If this is set to 1.2 (the default), 1.2 is used as the default GIOP version. In this case, the principal must be transmitted in the request message using an alternative mechanism (that is, a service context).</p> <p>Note: Orbix does not support publishing 1.0 version IORs. Therefore, this configuration item must be set to 1.1 or 1.2.</p> <p>Note: Even if this configuration item is set to 1.2, clients may still choose to communicate using a lower GIOP version, if the client ORB is capable of parsing a 1.2 IOR. For example, Orbix clients can use the <code>policies:iiop:client_version_policy</code> configuration item to communicate with the server adapter over GIOP 1.0 or 1.1.</p>
<p><code>policies:giop:interop_policy:enable_principal_service_context</code></p>	<p>For GIOP 1.2, if this item is set to "true", it instructs the CICS server adapter to look for the principal string in a service context. The default value is "false".</p>

Table 2: *Client Principal Support and cicsa Plug-In Configuration Items (Sheet 3 of 3)*

Configuration Item	Description
<code>policies:giop:interop_policy: principal_service_context_id</code>	This item specifies the service context ID from which the CICS server adapter attempts to read the principal string if <code>policies:giop:interop_policy:enable_principal_service_context</code> is set to true. The default service context ID where the server adapter looks for the principal string is <code>0x49545F44</code> .

Setting up the Required Privileges

Overview

If the CICS server adapter is to be run using the `use_client_principal` configuration item in the APPC or EXCI plug-ins, the user ID under which the server adapter runs might need to be granted special privileges to enable thread-level security environments. The requirements vary, depending on whether the FACILITY RACF class profile `BPX.SERVER` is defined on your system.

This section discusses the following topics:

- [Requirements when BPX.SERVER is defined](#)
 - [Requirements when BPX.SERVER is not defined](#)
 - [Impersonating users](#)
-

Requirements when BPX.SERVER is defined

If `BPX.SERVER` is defined, the user ID does not need to have a `UID` of 0, but it must have `READ` access to the `BPX.SERVER` profile. In addition, the server adapter executable must reside in a z/OS load library that is PADS-defined. (PADS is the acronym for Program Access to Data Sets.)

Requirements when BPX.SERVER is not defined

If `BPX.SERVER` is not defined, this user ID must have a `UID` of 0 assigned to it in the `OMVS` segment of its RACF user profile.

Impersonating users

Additionally, because the CICS server adapter is processing requests for users without having their passwords, you must activate the `SURROGAT` RACF class and define profiles in it that allow the server adapter's user ID to *impersonate* particular users. You can do this by establishing a profile for each potential client user. For example:

```
RDEFINE SURROGAT BPX.SRV.client1 UACC(NONE)
PERMIT BPX.SRV.client1 CLASS(SURROGAT) ID(Adapter) ACCESS(READ)
RDEFINE SURROGAT BPX.SRV.client2 UACC(NONE)
PERMIT BPX.SRV.client2 CLASS(SURROGAT) ID(Adapter) ACCESS(READ)
```

Alternatively, you might want to use a generic profile that allows the CICS server adapter to *impersonate* any client user. For example:

```
RDEFINE SURROGAT BPX.SRV.* UACC(NONE)  
PERMIT BPX.SRV.* CLASS(SURROGAT) ID(Adapter) ACCESS(READ)
```

Access to such profiles should be very tightly controlled.

Additional Requirements for CICS Protocol Plug-Ins

Overview

When running authorized and using the `use_client_principal` configuration item in the APPC or EXCI plug-in, the CICS server adapter changes the ID of the thread processing the request to that of the client principal. It then makes the request under the new ID; so, in this case, the request should start the CICS transaction with an ACEE for the client ID.

This section discusses the following topics:

- [Switching threads](#)
- [Making the CICS server adapter program-controlled](#)
- [Further Reading](#)

Switching threads

The CICS server adapter uses the `pthread_security_np()` call on the thread that is processing the client request, to switch that thread to run under the requested user ID (client principal). For EXCI, it then issues the EXCI call, providing this ID in the request. For APPC, it issues the APPC calls now that the thread is running under this user ID. For this to work, an EXCI or APPC server adapter must be program-controlled.

Making the CICS server adapter program-controlled

To make the CICS server adapter program-controlled, you need to consider the following issues:

Step	Action
1	<p>If the CICS server adapter user ID does not have READ access to the <code>BPX.SERVER</code> RACF resource, in the <code>FACILITY</code> class, you get the <code>EPERM</code> errors when the server adapter is trying to switch identities on the thread. The server adapter user ID also needs access to the <code>BPX.SRV.userid</code> resource in the RACF <code>SURROGAT</code> class where <code>userid</code> is the client principal in question. If the user ID under which the server adapter runs is well controlled, you could possibly give it read access to the <code>BPX.SRV.*</code> resource, to enable the server adapter to handle requests from any client principal.</p>
2	<p>When deploying in UNIX System Services, the CICS server adapter must run in its own address space. You must ensure that the <code>_BPX_SHAREAS</code> variable is not set in the server adapter's environment. The <code>itcicsa</code> shell script supplied by IONA handles this, by unsetting this variable before running the server adapter program.</p>
3	<p>When deploying in UNIX System Services, you must ensure that any UNIX System Services files that are involved in running the server adapter have the appropriate extended attributes set. Your systems programmer might execute the <code>extattr</code> command, as follows, to make these files program-controlled:</p> <pre data-bbox="599 1154 1071 1215">\$ cd \$IT_PRODUCT_DIR \$ extattr +p shlib/* asp/6.0/bin/itcicsa</pre> <p>The command <code>ls -E</code> can be used to display the extended file attributes in the UNIX System Services shell.</p> <p>Note: If, at this point, the address space is still not program-controlled, the server adapter throws an exception back to the client and logs an error message to indicate that it could not switch to that user ID, and that it is therefore not going to attempt to start the transaction in CICS.</p>

Further Reading

Refer to the IBM publication *Planning: OpenEdition MVS, SC23-3015* for more information on enabling thread-level security for servers.

Configuring the Orbix Runtime inside CICS

This chapter provides information on configuring the Orbix runtime that is used by Orbix servers running in CICS.

In this chapter

This chapter discusses the following topics:

Customizing CICS	page 114
Customizing Orbix Event Logging	page 116

Customizing CICS

Overview

Before you can run Orbix CICS applications in your region, you must perform a number of additional steps to enable your CICS system to support Orbix servers. Depending on your installation, one or all of these tasks might already have been completed. You must verify this with the systems programmer responsible for CICS at your site.

This section discusses the following topics:

- [Installing language environment support](#)
 - [Installing support for C++ classes in CICS](#)
 - [Installing sample Orbix CICS resource definitions](#)
 - [Updating the CICS region](#)
-

Installing language environment support

CICS Language Environment (LE) support is not installed as standard. To enable LE support in CICS you must perform a number of steps. Refer to the IBM manual *Language Environment for OS/390 Customization* for details on installing LE support in CICS.

If LE support has been successfully installed in CICS, the following message is written to the console:

```
DFHAP1203I CICS Language Environment is being initialized
```

If you cannot see this message, LE support is not available under CICS and any Orbix activities fail.

Installing support for C++ classes in CICS

Support for the C++ standard classes must be explicitly defined to CICS. Refer to the IBM manual *OS/390 C/C++ Programming Guide* for details of the steps required to run C++ application programs under CICS. In particular, note that the standard C++ DLLs such as `IOSTREAM` must be defined to CICS.

Failure to do this results in the following messages being issued from CICS when attempting to run an Orbix CICS transaction:

```
EDC6063I DLL name is IOSTREAM
EDC5207S Load request for DLL load module unsuccessful.
```

C++ support is required by Orbix itself, which is written in C++.

Note: From the Orbix CICS programming perspective, servers can only be written in COBOL or PL/I at this time.

Installing sample Orbix CICS resource definitions

The data set *orbixhlq.JCLLIB* (ORBIXCSD) contains a job to run DFHCSDUP, which is the CICS offline resource definition utility, to define the CICS resources used by the sample jobs and demonstrations. You can run this as is, or just use it as a reference when defining the resources online with the CEDA transaction. When the resources have been defined, use CEDA to install the whole group.

Updating the CICS region

To update the CICS region perform the following steps.

Step	Action
1	Add five libraries to the CICS region's DFHRPL concatenation as follows: <pre>DD DSN=orbixhlq.DEMOS.CICS.CBL.LOADLIB,DISP=SHR DD DSN=orbixhlq.DEMOS.CICS.PLI.LOADLIB,DISP=SHR DD DSN=orbixhlq.MFA.LOADLIB,DISP=SHR DD DSN=CEE.SCEERUN,DISP=SHR DD DSN=CBC.SCLBDLL,DISP=SHR</pre>
2	Add CEE.SCEERUN to the STEPLIB concatenation.
3	Recycle the regions to pick up these libraries.

Customizing Orbix Event Logging

Overview

For the Orbix runtime in CICS, most of the configuration settings are fixed. However, the level of event logging performed by the runtime can be customized for the server adapter.

This section discusses the following topics:

- [Customizing the level of event logging](#)
- [Event logging settings](#)
- [ORXMFACTx DLL setting](#)
- [Modifying the ORXMFACTx DLL setting](#)

Customizing the level of event logging

This is done by modifying the `ORXMFACTx` DLL. This DLL contains an S390 Assembler `CSECT` that supplies the event logging string to the runtime.

Event logging settings

The event logging settings are as follows:

Table 3: *Event Logging Settings for the CICS Server Adapter*

Value	Description
0	<code>LOG_NONE</code> — no logging in CICS is performed.
1	<code>LOG_ERROR</code> —only log errors.
2	<code>LOG_WARNING</code> —log warnings and errors.
3	<code>LOG_INFO_HIGH</code> —log high priority informational messages, warnings and errors.
4	<code>LOG_INFO_MED</code> —log medium priority informational messages, high priority informational messages, warnings and errors.
5	<code>LOG_INFO_LOW</code> —log low priority informational messages, medium priority informational messages, high priority informational messages, warnings and errors.
6	<code>LOG_INFO_ALL</code> —log all messages.

ORXMFACTx DLL setting

The `ORXMFACTx` DLL shipped with the CICS server adapter has a setting of 2 for event logging in CICS.

This can be modified to some other setting. For example, to help trace a problem with a transaction in CICS, it can be changed to 6.

Modifying the ORXMFACTx DLL setting

This is done using the `MFACTLINK` JCL member supplied in `orbixhlq.JCLLIB`. In this JCL, the `LOGLVL` variable can be modified to contain the new event logging value. It can then be run to create a new version of the `ORXMFACTx` DLL with this new value. Ensure that you make a backup copy of `ORXMFACTx`, before running this JCL member. After this re-link of the DLL, make it available to the CICS region in which you are testing, for the new setting to come into effect. After the testing is complete, consider copying back the original DLL, to revert to the normal logging levels.

IDL Compiler Configuration

This chapter describes Orbix IDL compiler settings for the mfa plug-in, which is used to generate CICS server adapter mapping files and type_info files.

In this chapter

This chapter discusses the following topics:

Overview	page 120
Configuration settings	page 120
Mandatory settings	page 120
User-defined settings	page 121
List of available settings	page 121

Overview

The `-mfa` plug-in allows the IDL compiler to generate CICS server adapter mapping members and CICS server adapter `type_info` files from IDL. The behavior of the Orbix IDL compiler is defined by the IDL compiler configuration file, `orbixhlq.CONFIG(IDL)`. This chapter details the default settings used and describes how these can be modified.

Note: IDL compiler configuration is separate from standard Orbix configuration and is contained in its own configuration member (`orbixhlq.CONFIG(IDL)`).

Configuration settings

The CICS server adapter mapping member configuration is listed under `MFAMappings` as follows:

```
MFAMappings
{
    Switch = "mfa";
    ShlibName = "ORXBMFA";
    ShlibMajorVersion = "6";
    IsDefault = "NO";
    PresetOptions = "";

# Mapping & Type Info file suffix and ext. can be overridden
# The default mapping file suffix is A
# The default mapping file ext. is .map and none for OS/390
# The default type info file suffix is B
# The default type info file ext. is .inf and none for OS/390
# MFAMappingExtension = "";
# MFAMappingSuffix = "";
# TypeinfoFileExtension = "";
# TypeinfoFileSuffix = "";

};
```

Note: Settings listed with a `#` are considered to be comments and are not in effect.

Mandatory settings

The first three of the preceding settings are mandatory and must not be altered. They inform the Orbix IDL compiler how to recognize the server adapter mapping member switch, and what name the DLL plug-in is stored under.

User-defined settings

All but the first three settings are user-defined and can be changed. The reason for these user-defined settings is to allow you to change, if you want, default configuration values that are set during installation. To enable a user-defined setting, use the following format:

```
setting_name = "value";
```

List of available settings

[Table 4](#) provides an overview and description of the available settings.

Table 4: *Server Adapter Mapping Member Configuration Settings*

Setting Name	Description	Default
IsDefault	Indicates whether the Orbix IDL compiler generates CICS server adapter mapping members by default from IDL. If this is set to YES, you do not need to specify the <code>-mfa</code> switch when running the compiler.	NO
PresetOptions	The arguments that are passed by default as parameters to the Orbix IDL compiler for the purposes of generating CICS server adapter mapping members.	
MFAMappingExtension	Extension for the CICS server adapter mapping file (on UNIX System Services).	map
TypeinfoFileExtension	Extension for the CICS server adapter <code>type_info</code> files (on UNIX System Services).	inf
TypeinfoFileSuffix	Suffix for CICS server adapter <code>type_info</code> files (on both native z/OS and UNIX System Services). If you do not supply a value for this, a default suffix of <code>B</code> is used.	B

Table 4: *Server Adapter Mapping Member Configuration Settings*

Setting Name	Description	Default
MFAMappingSuffix	Suffix for the CICS server adapter mapping member on z/OS. If you do not specify a value for this, a default suffix of <code>A</code> is used.	A

Part 3

Configuring the Client Adapter and the Orbix Runtime Inside CICS

In this part

This part contains the following chapters:

Introduction to Client Adapter Configuration	page 125
Client Adapter General Configuration	page 133
Configuring the Client Adapter AMTP_APPC Plug-in	page 137
Configuring the Client Adapter Subsystem	page 157
Configuring the Orbix Runtime inside CICS	page 161

Introduction to Client Adapter Configuration

This chapter provides information needed to configure the client adapter and its components (plug-ins). It provides descriptions of all the configuration items involved in running the client adapter. It also provides details on configuring the various system components used by the client adapter.

In this chapter

This chapter discusses the following topics:

A Client Adapter Sample Configuration	page 126
Configuration Summary of Client Adapter Plug-Ins	page 129

A Client Adapter Sample Configuration

Overview

A sample configuration member is supplied with your Orbix Mainframe installation that provides an example of how you might configure and deploy the client adapter on both native z/OS and UNIX System Services.

This section discusses the following topics:

- [Location of configuration templates](#)
 - [Configuration scope](#)
 - [Configuration scope example](#)
 - [Configuring a domain](#)
-

Location of configuration templates

Sample configuration templates are supplied with your Orbix Mainframe installation in the following locations:

Non-TLS—`orbixhlq.CONFIG(BASETMPL)`.

TLS—`orbixhlq.CONFIG(TLSTMPL)`.

Note: Further configuration resides in `orbixhlq.CONFIG(ORXINTRL)`. This contains internal configuration that should not usually require any modifications.

Configuration scope

The client adapter uses an ORBname of `iona_services.cics_client`. The items specific to the client adapter configuration are scoped in the `iona_services.cics_client` configuration scope.

Configuration scope example

The following is an example of the `iona_services.cics_client` configuration scope.

Example 5: *An `iona_services.cics_client` Configuration Scope Example*

```

iona_services
{
...
  cics_client
  {
    event_log:filters = ["*=WARN+ERROR+FATAL","IT_MFA=INFO_HI+WARN+ERROR+FATAL",
                        "IT_MFU=INFO_HI+WARN+ERROR+FATAL"];

    plugins:cicsa:direct_persistence = "yes";
    plugins:cicsa:iiop:host = "%{LOCAL_HOSTNAME}";
    plugins:cicsa:iiop:port = "5072";

    plugins:client_adapter:repository_id = "type_info";
    plugins:client_adapter:type_info:source = "DD:TYPEINFO";

    orb_plugins = ["local_log_stream", "iiop_profile", "giop", "iiop", "ots",
                  "amtp_appc"];

    # Client Adapter amtp_appc plugin

    plugins:amtp_appc:symbolic_destination = "ORXCLNT1";
    plugins:amtp_appc:appc_function_wait = "5";
    plugins:amtp_appc:min_comm_threads = "5";
    plugins:amtp_appc:max_comm_threads = "10";

    #For two-phase commit support uncomment the following lines:
    #
    #plugins:amtp_appc:maximum_sync_level = "2";
    #initial_references:TransactionFactory:reference = "%{LOCAL_OTSTM_REFERENCE}";

    # Client Adapter mfu plugin
    #
    plugins:ots_lite:use_internal_orb = "true";
    plugins:ots_lite:orb_name= "iona_services.cics_client.ots";

    ots
    {
      orb_plugins = ["local_log_stream", "iiop_profile", "giop", "iiop"];
    };
  };
};

```

Configuring a domain

Refer to the *CORBA Administrator's Guide* for details on how to configure an Application Server Platform domain.

Configuration Summary of Client Adapter Plug-Ins

Overview

Orbix configuration allows you to configure an application on a per-plug-in basis. This section provides a summary of the configuration items associated with plug-ins specific to the client adapter.

This section discusses the following topics:

- [Client adapter components](#)
- [Summary of items for the `amtp_appc` plug-in](#)
- [Summary of items for the client adapter subsystem](#)
- [Summary of remaining configuration items](#)

Client adapter components

The main components of the client adapter include:

- A client adapter subsystem, which is loaded by the adapter executable (many subsystems can be run by the same application).
- The `amtp_appc` plug-in, which is used to provide APPC transport between CICS client transactions and the client adapter.
- The `common_adapter` plug-in, which exposes common functionality such as support for different signature repositories (that is, `type_info`, `IFR`, and so on).

Summary of items for the `amtp_appc` plug-in

The following is a summary of the configuration items associated with the `amtp_appc` plug-in. Refer to [“AMTP_APPC Plug-In Configuration Items” on page 155](#) for more details.

`symbolic_destination` Specifies the APPC/MVS symbolic destination name the client adapter uses for APPC services. The Orbix Runtime in CICS uses the symbolic destination to send CICS client transaction requests to the client adapter. The default value is `“ORXCLNT1”`.

<code>appc_function_wait</code>	Specifies the number of minutes that the client adapter can wait for a response from a CICS client transaction before canceling the request. Valid values are in the range 0–1440. The default value is 5 minutes.
<code>min_comm_threads</code>	Specifies the minimum number of client adapter threads used to service requests from CICS client transactions. Each thread processes a request from a CICS client transaction. A valid value is greater than 0. The default value is 5 threads.
<code>max_comm_threads</code>	Specifies the maximum number of client adapter threads that can be used to service requests from CICS client transactions. If all client adapter threads are busy, and the client adapter receives another request, it dynamically starts more threads up to this maximum number. The default value is 10 threads.
<code>maximum_sync_level</code>	Specifies the maximum APPC synchronization level supported by the client adapter. The value can be 0 or 2. A value of 0 does not allow CICS client transactions to perform two-phase commit processing. A value of 2 allows CICS client transactions to perform two-phase commit processing. The default value is 0.

Summary of items for the client adapter subsystem

The following is a summary of the configuration items associated with the client adapter subsystem. Refer to [“Configuring the Client Adapter Subsystem” on page 157](#) for more details.

<code>repository_id</code>	Specifies the type information source to use. This source supplies the CICS client adapter with operation signatures as required. Valid values are <code>"ifr"</code> and <code>"type_info"</code> . The default is <code>"ifr"</code> . Refer to “Type information mechanism” on page 158 for more information.
----------------------------	--

<code>ifr:cache</code>	This value is used if <code>repository_id</code> is set to "ifr". The <code>ifr:cache</code> configuration item is optional. It specifies the location of an (operation) signature cache file. This signature cache file contains a cache of operation signatures from a previous run of this client adapter. The default is no signature cache file (" ").
<code>type_info:source</code>	This value is used if <code>repository_id</code> is set to "type_info". The <code>type_info:source</code> variable denotes the location of a <code>type_info</code> store from which the client adapter can obtain operation signatures. Refer to “type_info store” on page 159 for more information.

Summary of remaining configuration items

The following is a summary of the remaining configuration items. Refer to [“Client Adapter General Configuration” on page 133](#) and the *CORBA Administrator's Guide* for more details.

<code>event_log:filters</code>	Specifies the types of events the client adapter logs.
<code>orb_plugins</code>	List of standard ORB plug-ins the client adapter should load.
<code>initial_references: TransactionFactory: reference</code>	Specifies the IOR of the RRS OTSTM service that coordinates two-phase commit processing initiated by CICS client transactions. The IOR is obtained by running <code>orbixhlq.JCLLIB(DEPLOY3)</code> . See the <i>Mainframe Installation Guide</i> for more details. The RRS OTSTM service must be running if a CICS client transaction is to be able to perform two-phase commit processing.

Client Adapter General Configuration

This chapter provides details of the configuration items for the core client adapter. These details specify the level of Orbix Event logging and plug-ins to be loaded when the ORB is initializing.

Overview

This chapter discusses the following topics:

- [Orbix event logging](#)
 - [ORB plug-ins list](#)
 -
-

Orbix event logging

The related configuration item is `event_log:filters`. It specifies the level of event logging. To obtain events specific to the client adapter, the `IT_MFU` event logging subsystem can be added to this list. For example:

```
event_log:filters = ["*=WARN+ERROR+FATAL", "IT_MFU=INFO_HI+INFO_MED+WARN+ERROR+FATAL"];
```

This logs all `IT_MFU` events (except for `INFO_LOW` — low priority informational events), and any warning, error, and fatal events from all other subsystems (for example, `IT_CORE`, `IT_GIOP`, and so on). The level of detail provided for `IT_MFU` events can be controlled by setting the relevant logging levels. Refer to the *CORBA Administrator's Guide* for more details.

The following is a categorization of the informational events associated with the `IT_MFU` subsystem.

<code>INFO_HI</code>	Configuration settings and client adapter start-up and shutdown messages
<code>INFO_MED</code>	APPC informational messages
<code>INFO_LOW</code>	CICS segment data streams and two-phase commit events.

WTO announce plug-in

Orbix applications may be configured to write messages to the operator console on starting or shutting down successfully. This can be useful for automated operations software to keep track of these events. The `WTO` announce plug-in is used to implement this feature.

To enable the loading of the `WTO` announce plug-in in an IONA service, such as the client adapter, add the following two configuration items in the `iona_services.cics_client` scope:

- `initial_references:IT_WTO_Announce:plugin = "wto_announce";`
- `generic_server:wto_announce:enabled = "true";`

Note: For customer-developed Orbix applications (for example, a batch COBOL or PL/I server), the `wto_announce` plug-in should be added to the end of the `orb_plugins` list in that particular application's ORB configuration. (See [“ORB plug-ins list”](#) next for more details.) However, for all IONA services (by default, within the `iona_services` configuration scope), IONA recommends that you load the `wto_announce` plug-in by specifying the two preceding configuration items rather than by adding the `wto_announce` plug-in to the `orb_plugins` list.

When you load the WTO announce plug-in, a WTO message is issued when the server adapter ORB starts up and shuts down. Messages take the following format:

```
+ORX2001I ORB iona_services.cics_client STARTED
  (HOSTNAME:<process id>)
+ORX2002I ORB iona_services.cics_client ENDED (HOSTNAME:
  <process id>)
```

On z/OS UNIX System Services, *<process id>* is a pid. On native z/OS, *<process id>* is a job name and an *A=xxxx* job identifier.

ORB plug-ins list

The related configuration item is `orb_plugins`. It specifies the ORB-level plug-ins that should be loaded into your application at `ORB_init()` time. On z/OS, you can add the WTO announce plug-in support to any Orbix application by updating this list in the relevant configuration scope. For example, in the `iona_services.cics_client` scope:

```
orb_plugins = ["local_log_stream", "iiop_profile", "giop",
              "iiop", "ots", "amtp_appc", "wto_announce"];
```

In the case of the CICS client adapter's configuration (that is, in the `iona_services.cics_client` scope) the `wto_announce` plug-in should not be included in this list, as discussed in [“WTO announce plug-in” on page 134](#).

Configuring the Client Adapter AMTP_APPC Plug-in

The AMTP_APPC plug-in for the client adapter uses APPC to communicate with client transactions. This chapter describes how to configure APPC for CICS, and the client adapter AMTP_APPC plug-in configuration.

In this chapter

This chapter discusses the following topics:

Setting Up APPC for the Client Adapter	page 138
Additional RACF Customization Steps for APPC	page 151
AMTP_APPC Plug-In Configuration Items	page 155

Setting Up APPC for the Client Adapter

Prerequisites to using APPC

Before you can run the client adapter, you must first enable the required APPC functionality on your z/OS system. Depending on your installation, one or all of these tasks might already have been completed.

Further reading

For more information on setting up APPC/MVS, refer to the IBM publication *MVS Planning: APPC/MVS Management, GC28-107*.

Additionally, you can find specific information about defining APPC links in CICS in the chapter on "Defining APPC Links" in the IBM publication *CICS Intercommunication Guide, SC33-1695*.

In this section

This section discusses the following topics:

Defining LUs to APPC	page 139
Defining an APPC Destination Name for the Client Adapter	page 142
Defining LUs to VTAM	page 145
Defining the Required Resources to CICS	page 150

Defining LUs to APPC

Overview

A Logical Unit (LU) name identifies each side of an APPC conversation. It is defined to APPC/MVS in the `APPCPMxx` member of `SYS1.PARMLIB`. You must define at least one LU name to use the client adapter—the LU used by the client adapter.

Note: CICS client transactions use the system base LU for their side of the conversations with the client adapter.

This subsection discusses the following topics:

- [CICS local LU](#)
 - [Client adapter LU](#)
 - [Specifying the APPC/MVS-side information dataset name](#)
 - [Client adapter LU name and security](#)
 - [Running multiple client adapters](#)
-

CICS local LU

CICS does not define a local LU for transactions that use APPC/MVS. When a CICS transaction issues a request to allocate a conversation, APPC/MVS determines which local LU to use. For CICS client transactions, this is the system base LU.

For information on how APPC/MVS chooses its local LU, see the description on the `allocate` callable service in the chapter on “*APPC/MVS TP Conversation Callable Services*” in the IBM publication *Writing Transaction Programs for APPC/MVS*, GC28-1775.

An example of a system base LU is:

```
LUADD ACBNAME (MVSLU01)
SCHED (ASCH)
BASE
TPDATA (SYS1.APPCTP)
TPLEVEL (USER)
```

The definition of `MVSLU01`—the system base LU—is provided here as an example. This LU (perhaps with a different name) should already be defined.

Client adapter LU

The client adapter LU is used by the client adapter to receive requests from CICS client transactions, and to return replies back to CICS client transactions. It can be defined as follows:

```
LUADD ACBNAME (ORXLUCA1)
NOSCHED
```

Specifying the APPC/MVS-side information dataset name

The APPC/MVS side information dataset contains APPC symbolic destination names. If your installation does not have a side information dataset, see `SYS1.SAMPLIB(ATBSIVSM)` for sample JCL to create one.

The name of the side information dataset must be defined in `SYS1.PARMLIB(APPCMxx)` (for example, `SIDEINFO DATASET(SYS1.APPCSI)`).

Note: If you are using the CICS APPC plug-in for the CICS server adapter, this step might already have been performed.

Client adapter LU name and security

If you choose to secure the LU used by the client adapter, be aware that the LU name is used as part of the `APPCLU` RACF profile name for the LU. Refer to [“Bind Time Security with APPC” on page 84](#) for more information.

Running multiple client adapters

If you want to run multiple client adapters, you must first decide if you want the client adapters to share APPC/MVS allocation queues.

APPC/MVS allocation queues hold requests to start APPC conversations. As client transactions initiate requests to the client adapter, they are first placed in an APPC/MVS allocation queue. The requests designate which LU and Transaction Program Name (TPN) they are destined for. The client adapter registers with APPC/MVS and specifies the LU and TPN requests it expects to process. (Refer to [“Defining an APPC Destination Name for the Client Adapter” on page 142](#) for details of how to set up the LU and TPN name used by the client adapter.) APPC/MVS delivers the requests from the allocation queue to the client adapter.

You can choose to run multiple client adapters that specify the same LU and TPN. The client adapters all share the same APPC/MVS allocation queue. APPC/MVS chooses one of the client adapters to deliver the request to. This approach can be used as a form of load balancing where the load is spread

over multiple client adapters. This approach also provides a measure of fault tolerance. If a client adapter is stopped or goes down, allocation requests from client transactions can still be processed by the other client adapters.

You can alternatively choose to run multiple client adapters where each client adapter specifies a different LU and TPN. The client adapters all have their own APPC/MVS allocation queue. This approach is useful for setting up a test client adapter along with a production client adapter. The Orbix runtime inside the test CICS region is configured to direct allocation requests to the test client adapter, while the Orbix runtime inside the production CICS region is configured to direct allocation requests to the production client adapter.

Defining an APPC Destination Name for the Client Adapter

Overview

A CICS client transaction connects to the client adapter through an APPC destination name rather than directly through the client adapter LU name. The APPC destination name is used to establish various default characteristics for the APPC conversation being initiated, including the name of the partner LU, the TPN, and a logon mode name.

This subsection discusses the following topics:

- [Storage of the APPC destination name](#)
- [Example of the APPC destination name JCL](#)
- [Explanation of the APPC destination name JCL](#)
- [Example of multiple APPC destination names JCL](#)
- [Explanation of multiple APPC destination names JCL](#)

Storage of the APPC destination name

The APPC destination name information is stored in the APPC-side information data set. This data set is updated using the `ATBSDFMU` APPC/MVS utility program.

Example of the APPC destination name JCL

The following is an example of defining an APPC destination name.

Example 6: JCL Example for Defining an APPC Destination Name

```

1 //SIADDEXEC PGM=ATBSDFMU
2 //SYSPRINT DD SYSOUT=*
3 //SYSSDLIB DD DSN=SYS1.APPCSI,DISP=SHR
4 //SYSSDOUT DD SYSOUT=*
5 //SYSIN DD DATA
6     STADD
7     DESTNAME (ORXCLNT1)
8     TPNAME (ORXCLNT1)
9     MODENAME (APPCHOST)
10    PARTNER_LU (ORXLUCA1)
11    /*

```

Explanation of the APPC destination name JCL

The JCL example for defining an APPC destination name can be explained as follows:

- 1 The `DESTNAME` is a symbolic name that contains the `TPNAME`, `MODENAME`, and `PARTNER_LU`. It is used in two places:
 - The Orbix runtime inside CICS configuration specifies which destname the CICS region uses for APPC communication with the client adapter.
 - The `amtp_appc` plug-in configuration item `symbolic_destination`, which tells the client adapter which LU and TPN to use for APPC communication. The LU/TPN define the APPC/MVS allocation queue from which the client adapter receives allocation requests.
- 2 The `TPNAME` specification forms part of the APPC/MVS allocation queue designation. If you want to run a test client adapter along with a production client adapter, two symbolic destinations can be defined. They can each specify the same `MODENAME` and `PARTNER_LU`, but each can specify a different `TPNAME`. (Refer to [“Explanation of multiple APPC destination names JCL” on page 144](#) for more information.)
- 3 The `MODENAME` parameter is used to name an entry in the VTAM logon mode table. This specifies other characteristics that are to be used in the conversation. See the `SYS1.SAMPLIB(ATBLMODE)` data set for a definition of the `APPCHOST` logon mode, and the `SYS1.SAMPLIB(ATBLJOB)` data set for the JCL to install it.
- 4 `PARTNER_LU` must specify the client adapter LU name.

Example of multiple APPC destination names JCL

You might want to define multiple APPC destination names to allow multiple client adapters that do not share APPC/MVS allocation queues. A good example of this is to have a production client adapter processing requests from a production CICS region, and a test client adapter processing requests from a test CICS region.

Example 7: JCL Example for Defining Multiple APPC Destination Names

```
//SIADDEXEC PGM=ATBSDFMU
//SYSPRINT DD SYSOUT=*
//SYSSDLIB DD DSN=SYS1.APPCSI,DISP=SHR
//SYSSDOUT DD SYSOUT=*
//SYSIN DD DATA
```

Example 7: JCL Example for Defining Multiple APPC Destination Names

```

1  SIADD
   DESTNAME (ORXCLNT1)
   TPNAME (ORXCLNT1)
   MODENAME (APPCHOST)
   PARTNER_LU (ORXLUCA1)
2  SIADD
   DESTNAME (ORXTEST)
   TPNAME (ORXTEST)
   MODENAME (APPCHOST)
   PARTNER_LU (ORXLUCA1)
3  /*
4
5

```

Explanation of multiple APPC destination names JCL

The JCL example for defining multiple APPC destination names can be explained as follows:

- 1 The first `SIADD` statement defines the production destination, as explained in [“Explanation of the APPC destination name JCL” on page 143](#).
- 2 A second `DESTNAME` is defined for the test destination. It defines a different name from the production `DESTNAME`. The production CICS region and production client adapter is configured to use the production `DESTNAME`. The test CICS region and test client adapter is configured to use the test `DESTNAME`.
- 3 The test `DESTNAME` defines a `TPNAME` that is different from the production `TPNAME`. This causes APPC/MVS to use separate allocation queues for the production and test client adapters.
- 4 The test `MODENAME` is the same as the production `MODENAME`.
- 5 The test `PARTNER_LU` is the same as the production `PARTNER_LU`. This means you can run multiple client adapters that do not share APPC/MVS allocation queues, yet still use the same LU name for each.

Defining LUs to VTAM

Overview

APPC/MVS expects its LUs to be defined as VTAM resources, so that they can access a SNA network.

This subsection discusses the following topics:

- [VTAM requirements for LUs](#)
- [Using SYS1.SAMPLIB\(ATBAPPL\)](#)
- [APPC definition parameter security requirements](#)

VTAM requirements for LUs

Although the client adapter is usually run on the same system as the CICS region with which it communicates (that is, an LU=LOCAL conversation), VTAM application program definition (APPL) macros must still be coded for each LU. See SYS1.SAMPLIB(ATBAPPL) for a sample APPL definition of an APPC LU.

Using SYS1.SAMPLIB(ATBAPPL)

The following definitions for the system base LU and client adapter LUs use the SYS1.SAMPLIB(ATBAPPL) definition, with some changes (which are highlighted).

Example 8: *Example of APPL Definitions for Client Adapter LUs*

```

1  MVSLU01 APPL  ACBNAME=MVSLU01,          C
   APPC=YES,          C
2  SECACPT=CONV,          C
3  VERIFY=OPTIONAL,      C
   AUTOSES=0,          C
   DDRAINL=NALLOW,      C
   DLOGMOD=APPCHOST,     C
   DMINWNL=5,           C
   DMINWNR=5,           C
   DRESPL=NALLOW,       C
   DSESLIM=10,          C
   LMDENT=19,           C
   MODETAB=LOGMODES,    C
   PARSESS=YES,         C
   SRBEXIT=YES,         C
   VPACING=1
1  ORXLCA1 APPL  ACBNAME=ORXLCA1,          C
   APPC=YES,          C

```

Example 8: Example of APPL Definitions for Client Adapter LUs

```

2          SECACPT=CONV,           C
3          VERIFY=OPTIONAL,       C
          AUTOSES=0,             C
          DDRAINL=NALLOW,       C
          DLOGMOD=APPCHOST,      C
          DMINWNL=5,             C
          DMINWNR=5,             C
          DRESPL=NALLOW,        C
          DSESLIM=10,            C
          LMDENT=19,             C
          MODETAB=LOGMODES,      C
          PARSESS=YES,           C
          SRBEXIT=YES,           C
          VPACING=1

```

APPC definition parameter security requirements

The code for `APPL` definitions for client adapter LUs can be explained as follows:

- 1 Both the `ACBNAME=` parameter and the `APPL` statement label should match the LU name defined to APPC.
- 2 The `VERIFY=` and `SECACPT=` parameters specify the security levels for each LU. Determining the correct values for these parameters depends on the environment in which CICS and the client adapter are running. A test environment might not require the same level of security that a production environment does.

`SECACPT=` specifies the greatest level of security information passed on a conversation allocation request from a CICS client transaction to the client adapter. If the LUs are secured using RACF `APPCLU` profiles, this level of security information can be overridden to the value set in the `APPCLU` profile. Refer to [“Additional RACF Customization Steps for APPC” on page 151](#) for more details. Each LU should have the same value for `SECACPT`.

- `SECACPT=NONE`—No security information is passed on conversation allocation requests. Use this value if security is not required, such as in a development environment.
- `SECACPT=CONV`—APPC/MVS passes security information (if available) on conversation allocation requests. Use this value when security is desired, such as in a production environment. The security information that can be passed is:

- ◆ User ID
- ◆ Security profile name (treated as a group ID by APPC/MVS)
- ◆ Already verified indicator
- `SECACPT=ALREADYV`—Conversation allocation requests with security information, and conversation allocation requests with an indication that security information is already verified. Use this value when the system base LU used by CICS and the client adapter LU are both trusted. See below.

Note: There are other values for the `SECACPT` parameter that are not described here, because they do not apply.

3 `VERIFY=` specifies that VTAM should verify the identity of partner LUs that attempt to establish sessions with this LU. Generally each LU has the same value for `VERIFY=`, but there are valid cases where the values can be different.

- `VERIFY=NONE`—VTAM should not verify partner LUs. Use this value if security is not required.
- `VERIFY=OPTIONAL`—VTAM should verify those LUs that have session keys defined. The session keys are defined in the RACF `APPCLU` profile. Refer to the topic on LU 6.2 Security in the IBM publication *SNA Network Implementation Guide, SC31-8562* for more information on how VTAM verifies the partner LU. Use this value when security is desired.
- `VERIFY=REQUIRED`—VTAM should verify every partner LU. This provides even tighter security control. The system base LU used by CICS can be defined with `VERIFY=OPTIONAL`, and the client adapter LU can be defined with `VERIFY=REQUIRED`. This provides two benefits:
 - ◆ Compatibility with the CICS server adapter if it is being used.
 - ◆ Only those LUs defined with a proper RACF `APPCLU` profile can connect to the client adapter.

If there is no possibility of unauthorized access from other systems in your SNA network, you might prefer to code `SECACPT=ALREADYV` and `VERIFY=NONE` to indicate that partner LUs do not need to be authenticated. This is safe for `LU=LOCAL` conversations because user information is provided directly by APPC/MVS. Therefore, there is no opportunity for the programmer of the

partner LU to fabricate his or her identity. Refer to [“Securing the Client Adapter” on page 275](#) for more details about APPC conversation security and session-level verification.

Note: The definition of `MVSLU01`—the system base LU—is provided here as an example. This LU (perhaps with a different name) should already be defined. You might want to modify the security parameters as described above.

APPC definitions for two-phase commit

To support two-phase commit processing, define the VTAM LUs with the `ATNLOSS` and `SYNCLVL` operands as follows:

Example 9: Example of APPL Definitions for Two-Phase Commit

```

1  MVSLU01  APPL  ACBNAME=MVSLU01,          C
   APPC=YES,          C
2  SECACPT=CONV,      C
3  VERIFY=OPTIONAL,   C
   AUTOSES=0,         C
   DDRAINL=NALLOW,   C
   DLOGMOD=APPCHOST,  C
   DMINWNL=5,         C
   DMINWNR=5,         C
   DRESPL=NALLOW,    C
   DSESLIM=10,        C
   LMDENT=19,         C
   MODETAB=LOGMODES, C
   PARSESS=YES,       C
   SRBEXIT=YES,       C
   VPACING=1,         C
   ATNLOSS=ALL,       C
   SYNCLVL=SYNCPT
1  ORXLUCA1 APPL  ACBNAME=ORXLUCA1,        C
   APPC=YES,          C
2  SECACPT=CONV,      C

```

Example 9: *Example of APPL Definitions for Two-Phase Commit*

3

VERIFY=OPTIONAL,	C
AUTOSES=0,	C
DDRAINL=NALLOW,	C
DLOGMOD=APPCHOST,	C
DMINWNL=5,	C
DMINWNR=5,	C
DRESPL=NALLOW,	C
DSESLIM=10,	C
LMDENT=19,	C
MODETAB=LOGMODES,	C
PARSESS=YES,	C
SRBEXIT=YES,	C
VPACING=1,	C
ATNLOSS=ALL,	C
SYNCLVL=SYNCPT	

Defining the Required Resources to CICS

Overview

This subsection provides the location for the required JCL to define the required APPC resources to CICS. It also describes the contents of the JCL and how it is to be used. It discusses the following topics:

- [Location of required JCL](#)
 - [Description of the contents of the JCL](#)
 - [Using the JCL](#)
-

Location of required JCL

The *orbixh1q.JCLLIB*(ORBIXCSD) JCL member runs the CICS offline resource definition utility to define the required APPC resources to CICS. You might need to change the *STEPLIB* and *DFHCSD* DD cards to match your CICS installation.

Description of the contents of the JCL

The sample JCL defines the following for the client adapter:

- A Connection definition which identifies the LU used by the client adapter.
 - A Sessions definition which defines session characteristics for sessions between CICS and the client adapter.
 - A Partner definition which defines information needed for conversations between CICS and the client adapter.
 - Demonstration programs and transactions.
-

Using the JCL

Make the appropriate changes to the JCL and run it to define the client adapter CICS resources.

Note: If you are using the CICS server adapter with the APPC plug-in, this step might already have been performed.

Additional RACF Customization Steps for APPC

Overview

There are a number of RACF definitions related to APPC that you might need to add or change to run the client adapter. Refer to [“Securing the Client Adapter” on page 275](#) for more details about how the client adapter fits into a secure system environment.

Much of the information provided in this section can be found in the sections relating to LU Security and Conversation Security in the IBM publication *MVS Planning: APPC/MVSManagement, GC28-1807*, as well as in the chapter on “Implementing LU 6.2 Security” in the IBM publication *CICS RACF Security Guide, SC33-1701*.

In this section

This section discusses the following topics:

LU-to-LU Security Verification	page 152
Protecting LUs	page 154

LU-to-LU Security Verification

Overview

LU-LU security verification provides a means of controlling which LUs can establish sessions with a particular LU. RACF provides the `APPCLU` class for this purpose. CICS uses the term “Bind Time Security” when referring to LU-to-LU security verification.

This subsection discusses the following topics:

- [Enable LU-to-LU security verification in CICS](#)
- [APPCLU profiles](#)
- [APPCLU profile contents and operation](#)
- [Accessing APPCLU profiles](#)

Enable LU-to-LU security verification in CICS

CICS requires definitions in the System Initialization Table (SIT) and the client adapter `CONNECTION` definition to enable LU-to-LU security verification.

The required changes to the SIT are that you specify `SEC=YES` and `XAPPC=YES`.

After the changes to the SIT are made, CICS must be recycled for the changes to take effect.

Note: If you are using the CICS server adapter APPC plug-in, this step might already have been performed.

The required change to the client adapter `CONNECTION` is that you specify `BINDSECURITY=YES`.

APPCLU profiles

`APPCLU` profiles can be defined to control which LUs can establish sessions with a particular LU.

Each `APPCLU` profile name has the form:

'networkid.local-lu-name.partner-lu-name'.

Each profile contains information to be used by APPC/MVS on one side of a session between the two named LUs. This means each side of a session has its own specific profile. CICS requires the system base LU to communicate with the client adapter. However, when defining `APPCLU` profiles to secure the CICS LU, the LU defined on the `APPLID` parameter of the SIT is the LU that must be secured.

For example, if LU `CICSTS1` attempts to establish a session with LU `ORXLUCA1`, APPC/MVS on the initiating (outbound) side examines the '`networkid.CICSTS1.ORXLUCA1`' profile, and APPC/MVS on the receiving (inbound) side examines the '`networkid.ORXLUCA1.CICSTS1`' profile. LU `CICSTS1` was defined on the `APPLID` parameter of the SIT.

APPCLU profile contents and operation

Each APPCLU profile contains a session key, which is a string of letters or numbers, and a `CONVSEC` setting. When a session is initiated between two LUs, APPC/MVS on the initiating (outbound) side passes the session key found in its APPCLU profile to APPC/MVS on the receiving (inbound) side. If APPC/MVS on the inbound side finds that the received session key matches the session key in its own APPCLU profile, it overrides the VTAM `SECACPT=` setting with the `CONVSEC` setting from its profile. Thus, to allow a CICS client transaction to authenticate itself to the client adapter, the following definitions might be used:

```
RDEFINE APPCLU P390.ORXLUCA1.CICSTS1
UACC (NONE) SESSION (SESSKEY (137811C0) CONVSEC (ALREADYV) )

RDEFINE APPCLU P390.CICSTS1.ORXLUCA1
UACC (NONE) SESSION (SESSKEY (137811C0) CONVSEC (ALREADYV) )

SETROPTS CLASSACT (APPCLU)
```

To refresh the profiles in VTAM, use the following VTAM commands:

```
F VTAM,PROFILES, ID=CICSTS1
F VTAM,PROFILES, ID=ORXLUCA1
```

Accessing APPCLU profiles

It is not necessary to permit the client adapter or CICS region to have user IDs for the APPCLU profiles. However, access to the profiles should be tightly controlled to ensure that only appropriate users can read or change the session keys.

Protecting LUs

Overview

Protecting LUs involves controlling the users that are permitted to use the CICS local LU that initiates requests to the client adapter LU, and controlling the users that are permitted to use the client adapter LU that receives requests from CICS.

This subsection discusses the following topics:

- [Controlling access to the CICS local LU](#)
- [Controlling access to the client adapter LU](#)

Controlling access to the CICS local LU

The CICS local LU initiates requests to allocate conversations with the client adapter. This LU is considered the APPC port of entry. It can be secured by controlling the users that are permitted to use the LU. The RACF `APPCPORT` class provides this security control. First, a profile is defined for the CICS local LU that permits no access. A `PERMIT` is then issued for each user that requires access to the CICS local LU. For example:

```
RDEFINE APPCPORT CICSTS1 UACC(NONE)
PERMIT CICSTS1 CLASS(APPCPORT) ID(USER1) ACCESS(READ)
PERMIT CICSTS1 CLASS(APPCPORT) ID(USER2) ACCESS(READ)
...
SETROPTS CLASSACT(APPCPORT) RACLIST(APPCPORT)
```

Controlling access to the client adapter LU

The client adapter LU receives requests initiated by the CICS local LU. The client adapter LU can be secured by controlling the users that are permitted to use this LU. The RACF `APPL` class provides this security control. First, a profile is defined for the client adapter LU that permits no access. A `PERMIT` is then issued for each user that requires access to the client adapter LU. For example:

```
RDEFINE APPL ORXLUCA1 UACC(NONE)
PERMIT ORXLUCA1 CLASS(APPL) ID(USER1) ACCESS(READ)
PERMIT ORXLUCA1 CLASS(APPL) ID(USER2) ACCESS(READ)

SETROPTS CLASSACT(APPL) RACLIST(APPL)
SETROPTS RACLIST(APPL) REFRESH
```

AMTP_APPC Plug-In Configuration Items

Overview

This section discusses the following topics:

- [APPC destination](#)
 - [AMTP function timeout](#)
 - [APPC minimum communication threads](#)
 - [APPC maximum communication threads](#)
-

APPC destination

The related configuration item is

`plugins:amtp_appc:symbolic_destination`. This specifies the APPC/MVS symbolic destination name that identifies the LU, TPN, and `LOGMODE` the client adapter uses. The Orbix runtime in CICS is configured to use this destination. Refer to [“Customizing Orbix APPC Symbolic Destination” on page 169](#) for more information on configuring the destination in the Orbix runtime in CICS. CICS client transactions have their requests sent to the client adapter using this symbolic destination. The default value is `ORXCLNT1`.

The specified symbolic destination name is verified only when a CICS client transaction attempts to send a request to the client adapter. This means the CICS region does not have to be available when you start the client adapter. Refer to [“Example of the APPC destination name JCL” on page 142](#) for details of how to define the symbolic destination to APPC/MVS.

AMTP function timeout

The related configuration item is `plugins:amtp_appc:function_wait`. It specifies the number of minutes the client adapter waits for a response from the CICS client transaction before canceling the request. It prevents the client adapter from having to wait indefinitely for a response from the CICS client transaction if the transaction has stopped for some reason. The default is 5 minutes.

APPC minimum communication threads

The related configuration item is `plugins:amtp_appc:min_comm_threads`. It specifies the minimum number of client adapter threads that are used to service CICS client transaction requests. Each thread services a single client transaction request. Multiple threads allow for multiple concurrent client requests to be processed. The default is 5 threads.

APPC maximum communication threads

The related configuration item is `plugins:amtp_appc:max_comm_threads`. It specifies the maximum number of client adapter threads that can be used to service CICS client transaction requests. If all client adapter threads are busy, and another request arrives, further threads are started dynamically up to this maximum number. The default is 10 threads.

AMTP maximum sync level

The related configuration item is `plugins:amtp_appc:maximum_sync_level`. It specifies the maximum APPC synchronization level supported by the client adapter. The value can be 0 or 2. A value of 0 indicates that two-phase commit processing is not used by CICS transactions. A value of 2 indicates that two-phase commit processing is available for CICS transactions to use. Transactions that do not require two-phase commit processing can still function correctly if the maximum sync level is set to 2. The default value is 0.

Configuring the Client Adapter Subsystem

The client adapter receives CICS client transaction requests from the AMTP_APPC plug-in, locates target objects, invokes operations, and returns results to the AMTP_APPC plug-in. This functionality is implemented as a client adapter subsystem that is dynamically loaded by the adapter application. This chapter describes how to configure the client adapter subsystem.

Overview

This chapter discusses the following topics:

- [Type information mechanism](#)
- [IFR signature cache file](#)
- [type_info store](#)

Type information mechanism

The related configuration item is `plugins:client_adapter:repository_id`. It specifies the repository used by the client adapter to store operation signatures. Two repositories are supported: IFR ("`ifr`") and `type_info` store ("`type_info`"). The default is `type_info`. Refer to [“Using type_info store as a Source of Type Information” on page 216](#) for more information on the role of type information.

IFR signature cache file

If the client adapter is configured to use the IFR as the type information repository (a store of operation signatures), an IFR signature cache file can be used to improve performance. The related configuration item is `plugins:client_adapter:ifr:cache`. Refer to [“Using an IFR Signature Cache file” on page 214](#) for more information on how IFR signature cache files work.

The filename specification for the signature cache file can take one of several forms:

- The following example reads the mappings from a file in the z/OS UNIX System Services hierarchical file system (HFS):

```
plugins:client_adapter:ifr:cache =  
    "/home/user/sigcache.txt";
```

- The following example shows the syntax to indicate that the mappings are cached in a flat file (PS) data set, which is created with the default attributes used by the LE runtime:

```
plugins:client_adapter:ifr:cache =  
    "//orbixhlq.DEMOS.IFRCACHE";
```

The data set is created with the default attributes used by the LE runtime. Depending on the number of interfaces and the complexity of the types used, this might not be large enough. In this case, the client adapter saves as many cache entries as possible and then issues error messages. If this occurs, you should preallocate a larger data set with the same attributes, and use this name the next time you start the client adapter.

Note: Do not use members of partitioned data sets as a signature cache file.

type_info store

If the client adapter is configured to use a `type_info` store as the type information repository (a store of operation signatures), the location of the store must be supplied. The related configuration item is `plugins:client_adapter:type_info:source`.

The `plugins:client_adapter:type_info:source` variable can be set to one of the following:

- An HFS file (z/OS UNIX System Services)
Specifies a file to use as a `type_info` source. Operation signatures are read from this file during start-up. If a refresh is requested (via `itadmin mfa refresh` for example), this file is re-read. For example:

```
plugins:client_adapter:type_info:source =  
    "/home/bob/type_info.txt";
```

- An HFS directory (z/OS UNIX System Services)
Specifies a directory to use as a `type_info` source. Operation signatures are read from all files in this directory during start-up. If a refresh is requested, all files in the directory are browsed until the relevant operation signature(s) are found. For example:

```
plugins:client_adapter:type_info:source =  
    "/home/bob/typeinfo_store";
```

- A PDS member (native z/OS)
Specifies a PDS member (batch) to use as a `type_info` source. Operation signatures are read from this member during start-up. If a refresh is requested, this member is re-read. For example:

```
plugins:client_adapter:type_info:source =  
    "//MY1.TYPEINFO (MYINFS)";
```

- A PDS (native z/OS)
Specifies a dataset to use as a `type_info` source. Operation signatures are read from all members in this dataset during start-up. If a refresh is requested, all members in the dataset are browsed until the relevant operation signature(s) are found. For example:

```
plugins:client_adapter:type_info:source = "//MY1.TYPEINFO";
```

For PDS names, you can use a DD name, as long as this is defined to the client adapter start JCL, *orbixhlq.JCLLIB(CICSCA)*.

Note: The use of HFS directories or a PDS is preferable to the use of flat files, because these methods are better suited to the dynamic addition or removal of interface information, and they can also address IDL versioning.

Configuring the Orbix Runtime inside CICS

This chapter provides information on configuring the Orbix runtime that is used by Orbix clients running in CICS.

In this chapter

This chapter discusses the following topics:

Customizing CICS	page 162
Customizing Orbix Configuration	page 164
Customizing Orbix Event Logging	page 166
Customizing Orbix Maximum Segment Size	page 168
Customizing Orbix APPC Symbolic Destination	page 169

Customizing CICS

Overview

Before you can run Orbix CICS applications in your region, you must perform a number of additional steps to enable your CICS system to support Orbix clients. Depending on your installation, one or all of these tasks might already have been completed. You must verify this with the systems programmer responsible for CICS at your site.

This section discusses the following topics:

- [Installing language environment support](#)
 - [Installing support for C++ classes in CICS](#)
 - [Installing sample Orbix CICS resource definitions](#)
 - [Updating the CICS region](#)
-

Installing language environment support

CICS Language Environment (LE) support is not installed as standard. To enable LE support in CICS you must perform a number of steps. Refer to the IBM manual *Language Environment for OS/390 Customization* for details on installing LE support in CICS.

If LE support has been successfully installed in CICS, the following message is written to the console:

```
DFHAP1203I CICS Language Environment is being initialized
```

If you cannot see this message, LE support is not available under CICS and any Orbix activities fail.

Installing support for C++ classes in CICS

Support for the C++ standard classes must be explicitly defined to CICS. Refer to the IBM manual *OS/390 C/C++ Programming Guide* for details of the steps required to run C++ application programs under CICS. In particular, note that the standard C++ DLLs such as `IOSTREAM` must be defined to CICS.

Failure to do this results in the following messages being issued from CICS when attempting to run an Orbix CICS transaction:

```
EDC6063I DLL name is IOSTREAM
EDC5207S Load request for DLL load module unsuccessful.
```

C++ support is required by Orbix itself, which is written in C++.

Note: From the Orbix CICS programming perspective, clients can only be written in COBOL or PL/I at this time.

Installing sample Orbix CICS resource definitions

The data set `orbixhlq.JCLLIB(ORBIXCSD)` contains a job to run `DFHCSDUP`, which is the CICS offline resource definition utility, to define the CICS resources used by the sample jobs and demonstrations. You can run this as is, or just use it as a reference when defining the resources online with the CEDA transaction. When the resources have been defined, use CEDA to install the whole group.

Updating the CICS region

To update the CICS region perform the following steps:

Step	Action
1	Add five libraries to the CICS region's DFHRPL concatenation as follows: <pre>DD DSN=orbixhlq.DEMOS.CICS.CBL.LOADLIB,DISP=SHR DD DSN=orbixhlq.DEMOS.CICS.PLI.LOADLIB,DISP=SHR DD DSN=orbixhlq.MFA.LOADLIB,DISP=SHR DD DSN=CEE.SCEERUN,DISP=SHR DD DSN=CBC.SCLBDLL,DISP=SHR</pre> Where <code>hlq</code> and <code>version</code> represents the location of your Orbix installation.
2	Add <code>CEE.SCEERUN</code> to the STEPLIB concatenation.
3	Recycle the regions to pick up these libraries.

Note: If you are using the CICS server adapter, this step might have already been performed.

Customizing Orbix Configuration

Overview

The Orbix configuration inside CICS is DLL-based. (DLL is the acronym for Dynamic Link Library.) The Orbix runtime inside CICS does not access a file for configuration information, but instead gets configuration information from a DLL. The DLL resides in the Orbix CICS runtime library that was added to the CICS region's `DFHRPL`. The `ORXMFACx` member is the configuration DLL.

This section discusses the following topics:

- [How the configuration is changed](#)
- [Steps to change the configuration](#)
- [S390 Assembler program variables](#)

How the configuration is changed

Changing the configuration involves updating the configuration DLL. The DLL is updated by assembling and linking an S390 Assembler program that defines the configuration settings. See `orbixhlq.JCLLIB(MFACLINK)` for sample JCL to update the DLL. The sample JCL runs the Assembler and re-links the configuration in the DLL. The JCL contains the S390 Assembler program that defines the configuration settings.

Steps to change the configuration

Perform the following steps to update the configuration DLL:

Step	Action
1	Make a backup of your current configuration DLL. The configuration DLL is in <code>orbixhlq.MFA.LOADLIB(ORXMFACx)</code> .
2	Make the appropriate changes to the <code>orbixhlq.JCLLIB(MFACLINK)</code> JCL, as outlined in the JCL comments.
3	Change the S390 Assembler program to define the new configuration settings.
4	Submit the JCL.

Step	Action
5	Make the updated DLL available to your CICS region for the configuration changes to take effect.

S390 Assembler program variables

The following table lists the Assembler variables that can be changed in order to change the configuration:

Table 5: S390 Assembler Program Variables and Default Values

Assembler Variable	Description	Default Value
LOGLVL	Event logging level	2
MAXSEG	Maximum APPC segment size	32760
TIMEOUT	Not used by the Orbix runtime inside CICS	
SYMBDST	APPC symbolic destination	ORXCLNT1
LOCALLU	Not used by the Orbix runtime inside CICS	

Customizing Orbix Event Logging

Overview

For the Orbix runtime in CICS, most of the configuration settings are fixed. However, the level of event logging performed by the runtime can be customized for the client adapter.

This section discusses the following topics:

- [Customizing the level of event logging](#)
- [ORXMFACTx DLL setting](#)
- [Modifying the ORXMFACTx DLL setting](#)

Customizing the level of event logging

This is done by modifying the `ORXMFACTx` DLL. This DLL contains an S390 Assembler `CSECT` that supplies the event logging string to the runtime.

Event logging settings

The event logging settings are as follows:

Table 6: *Event Logging Settings for the Client Adapter*

Value	Description
0	<code>LOG_NONE</code> —no logging in CICS is performed.
1	<code>LOG_ERROR</code> —only log errors.
2	<code>LOG_WARNING</code> —log warnings and errors.
3	<code>LOG_INFO_HIGH</code> —log high priority informational messages, warnings and errors.
4	<code>LOG_INFO_MED</code> —log medium priority informational messages, high priority informational messages, warnings and errors.
5	<code>LOG_INFO_LOW</code> —log low priority informational messages, medium priority informational messages, high priority informational messages, warnings and errors.
6	<code>LOG_INFO_ALL</code> —log all messages.

ORXMFACTx DLL setting

The `ORXMFACTx` DLL shipped with the client adapter has a setting of 2 for event logging in CICS. This means that all warning and error messages are displayed, but none of the informational messages are displayed.

Modifying the ORXMFACTx DLL setting

The `ORXMFACTx` DLL setting can be modified to some other value. For example, to help trace a problem with a transaction in CICS, it can be changed to 6.

Customizing Orbix Maximum Segment Size

Overview

The Orbix runtime in CICS sends client transaction data to the client adapter in a stream of segments. The maximum size of these segments can be customized.

This section discusses the following topics:

- [ORXMFACT DLL setting](#)
- [Modifying the ORXMFACT DLL setting](#)
- [Maximum segment size constraints](#)

ORXMFACT DLL setting

The `ORXMFACT` DLL shipped with the client adapter has a setting of `32760` for the maximum segment size. (This is 32K rounded down to be a multiple of eight.)

Modifying the ORXMFACT DLL setting

The Orbix runtime in CICS builds up APPC segments of this size. For APPC, multiple segments of this size are used to transmit data. The 32K APPC limit for a single segment applies, but all the segments together can be more than 32K. Depending on your network definitions, these segments can be further broken up into smaller segments by VTAM and *chained* when they are transmitted.

The `ORXMFACT` DLL setting can be modified to be some other value if, for example, your installation has restrictions on the size of APPC buffers. For example, it might be changed to `4096` to meet an installation requirement. Change `MAXSEG` in the Assembler program to modify the maximum segment size.

Maximum segment size constraints

When choosing a value for the maximum segment size consider the following:

- The value must be a multiple of 8
- The minimum value is 32
- The maximum value is 32760
- The default value is 32760

Customizing Orbix APPC Symbolic Destination

Overview

The Orbix runtime in CICS uses APPC when communicating with the client adapter. It issues an “APPC allocate” to initiate an APPC conversation with the client adapter. The “APPC allocate” must identify the client adapter as the target of the allocate request. An APPC symbolic destination is used to identify the client adapter. The symbolic destination can be customized.

This section discusses the following topics:

- [ORXMFACTx DLL setting](#)
- [Modifying the ORXMFACTx DLL setting](#)
- [APPC symbolic destination restrictions](#)

ORXMFACTx DLL setting

The `ORXMFACTx` DLL shipped with the client adapter has a setting of `ORXCLNT1` for the APPC symbolic destination.

Modifying the ORXMFACTx DLL setting

The `ORXMFACTx` DLL setting can be modified to some other value. If your installation has naming standards for symbolic destinations, it can be changed to, for example, `PRODCADP`.

Change `SYMBDST` in the Assembler program to modify the APPC symbolic destination.

APPC symbolic destination restrictions

When choosing a value for the APPC symbolic destination consider the following:

- The default value is `ORXCLNT1`.
- The value must match the client adapter’s `AMTP_APPC` plug-in `plugins:amtp_appc:symbolic_destination` configuration item setting. Refer to [“APPC destination” on page 155](#) for more information on the `AMTP_APPC` plug-in configuration setting.
- Refer to [“Defining an APPC Destination Name for the Client Adapter” on page 142](#) for more information on how to define a symbolic destination to APPC/MVS.

Part 4

Securing and Using the CICS Server Adapter

In this part

This part contains the following chapters:

Securing the CICS Server Adapter	page 173
Mapping IDL Interfaces to CICS	page 199
Using the CICS Server Adapter	page 223

Securing the CICS Server Adapter

This chapter provides details of security considerations involved in using the CICS server adapter. It provides a review of general Orbix security implications and the relevant CICS security mechanisms. It describes the various security modes that the EXCI-based and APPC-based server adapters support, with particular emphasis on how each mode affects the existing CICS security mechanisms.

In this chapter

The following topics are discussed in this chapter:

Security Configuration Items	page 174
Common Security Considerations	page 181
EXCI-Based Security Considerations	page 184
APPC-Based Security Considerations	page 191

Security Configuration Items

Overview

This section provides an example and details of how to configure the CICS server adapter to run with Transport Layer Security (TLS) enabled. The sample configuration includes an `isf` sub-scope that highlights the configuration items required to integrate with the IONA Security Framework (iSF) and, in particular, enable CSly2-based authentication using the off-host Security service. The `isf` sub-scope also includes configuration items that allow you to deploy a fully standalone CICS adapter service.

Sample configuration

[Example 10](#) provides an overview of the configuration items used to enable security with the server adapter.

Example 10: *Sample Security Configuration for CICS Server Adapter (Sheet 1 of 4)*

```
plugins:security:share_credentials_across_orbs = "true";

# By default, use TLS V1. Downgrade to SSL V3 if the remote
# peer is unable to support TLS V1.
policies:mechanism_policy:protocol_version = ["TLS_V1", "SSL_V3"];

# Please change the following if you have only export strength
# encryption available on the machine.
policies:mechanism_policy:ciphersuites = ["RSA_WITH_RC4_128_SHA",
                                          "RSA_WITH_RC4_128_MD5"];

plugins:systemssl_toolkit:saf_keyring
    = "%{LOCAL_SSL_USER_SAF_KEYRING}";

principal_sponsor:use_principal_sponsor = "true";
principal_sponsor:auth_method_id =      "security_label";

# By default, use the 'iona_services' certificate from the keyring
principal_sponsor:auth_method_data = ["label=iona_services"];

# By default the following policies are used to deploy a
# fully secure domain where client authentication is not required:
#
policies:target_secure_invocation_policy:requires =
    ["Confidentiality", "DetectMisordering",
```

Example 10: *Sample Security Configuration for CICS Server Adapter
(Sheet 2 of 4)*

```

    "DetectReplay", "Integrity"];
policies:target_secure_invocation_policy:supports =
    ["Confidentiality", "EstablishTrustInTarget",
     "EstablishTrustInClient", "DetectMisordering",
     "DetectReplay", "Integrity"];
policies:client_secure_invocation_policy:requires =
    ["Confidentiality", "EstablishTrustInTarget",
     "DetectMisordering", "DetectReplay", "Integrity"];
policies:client_secure_invocation_policy:supports =
    ["Confidentiality", "EstablishTrustInClient",
     "EstablishTrustInTarget", "DetectMisordering",
     "DetectReplay", "Integrity"];

# For semi-secure services, the following policies would be used:
#
#policies:target_secure_invocation_policy:requires =
#    ["NoProtection"];
#policies:target_secure_invocation_policy:supports =
#    ["NoProtection", "Confidentiality",
#     "EstablishTrustInTarget", "EstablishTrustInClient",
#     "DetectMisordering", "DetectReplay", "Integrity"];
#policies:client_secure_invocation_policy:requires =
#    ["NoProtection"];
#policies:client_secure_invocation_policy:supports =
#    ["NoProtection", "Confidentiality",
#     "EstablishTrustInTarget", "EstablishTrustInClient",
#     "DetectMisordering", "DetectReplay", "Integrity"];
#
# If you are going to use a semi-secure approach, please
# search this file for "orb_plugins" and add "iiop" into
# the list.

orb_plugins = ["local_log_stream", "iiop_profile", "giop",
              "iiop_tls"];

IT_LocatorReplicas = ["iona_services.locator=corbaloc:iiops:1.2@%{LOCAL\
_HOSTNAME}:%{LOCAL_TLS_LOCATOR_PORT},it_iiops:1.2@%{LOCAL_HOSTNAME}:%{L\
OCAL_TLS_LOCATOR_PORT},iiop:1.2@%{LOCAL_HOSTNAME}:%{LOCAL_LOCATOR_PORT}\
/IT_LocatorReplica"];

iona_services
{
    orb_plugins = ["local_log_stream", "iiop_profile", "giop",
                  "iiop_tls", "ots"];

```

Example 10: *Sample Security Configuration for CICS Server Adapter
(Sheet 3 of 4)*

```

generic_server:wto_announce:enabled = "true";
...
cicsa
{
    #
    # Settings for well-known addressing:
    # (mandatory if direct_persistence is enabled)
    #
    # plugins:cicsa:iiop_tls:port = "5107";
    # plugins:cicsa:iiop_tls:host = "%{LOCAL_HOSTNAME}";
    #

    isf
    {
        # enable ISF authentication
        #

        orb_plugins = ["iiop_profile", "giop",
                     "iiop_tls", "local_log_stream",
                     "ots", "gsp", "portable_interceptor"];

        event_log:filters = ["IT_CSI=*", "IT_GSP=*",
                            "IT_IIOP_TLS=*",
                            "IT_MFA=INFO_HI+WARN+ERROR+FATAL"];

        binding:server_binding_list
            = ["CSI+GSP+OTS", "CSI+GSP", "CSI+OTS", "CSI"];

        # standalone ISF-enabled adapter
        #
        plugins:cicsa:direct_persistence = "yes";
        plugins:cicsa:iiop_tls:port = "5106";
        plugins:cicsa:iiop:port = "5006";

        # search for an access ID in the received credentials,
        # and if available, use that ID to perform SAF checks
        # when starting CICS transactions
        #
        plugins:cicsa:use_client_principal = "yes";
        plugins:cicsa:check_security_credentials = "yes";

        # IOR for the off-host Security Service -
        # not required if the adapter is only intended to

```


Example 10: *Sample Security Configuration for CICS Server Adapter
(Sheet 4 of 4)*

```
# perform identity assertion on the propagated
# CSI::IdentityToken.
#
initial_references:IT_SecurityService:reference = "";

policies:csi:auth_over_transport:target_supports =
    ["EstablishTrustInClient"];

# allow non-CSIV2 based requests to proceed for
# demonstrational purposes. Insert this config item
# to enforce CSIV2 authentication:
#
#     policies:csi:auth_over_transport:target_requires =
#         ["EstablishTrustInClient"];

policies:csi:auth_over_transport:server_domain_name =
    "IONA";

policies:csi:attribute_service:target_supports =
    ["IdentityAssertion"];
};
};
...
};
```

Summary of global scope configuration items

The following is a summary of the security-related configuration items associated with the global scope:

<code>plugins:security:share_credentials_across_orbs</code>	Enables own security credentials to be shared across ORBs. Normally, when you specify an own SSL/TLS credential (using the principal sponsor or the principal authenticator), the credential is available only to the ORB that created it. By setting this configuration item to "true", however, the own SSL/TLS credentials created by one ORB are automatically made available to any other ORBs that are configured to share credentials.
<code>policies:mechanism_policy:protocol_version</code>	Specifies the protocol version used by a security capsule (ORB instance). It can be set to <code>SSL_V3</code> or <code>TLS_V1</code> .
<code>policies:mechanism_policy:ciphersuites</code>	Specifies a list of cipher suites for the default mechanism policy.
<code>plugins:systemssl_toolkit:saf_keyring</code>	Specifies the RACF keyring to be used as the source of X.509 certificates.
<code>principal_sponsor:use_principal_sponsor</code>	This must be set to "true" to indicate that the certificate information is to be specified in the configuration file.
<code>principal_sponsor:auth_method_id</code>	This must be set to "security_label" to indicate that the certificate lookup should be performed using the label mechanism.
<code>principal_sponsor:auth_method_data</code>	If you are using TLS security, this specifies the label that should be used to look up the SSL/TLS certificate in the SAF key store. The specified label name must match the label name under which the server certificate was imported into, or created in, the key store (for example, in RACF).

<code>policies:target_secure_ invocation_policy:requires</code>	Specifies the invocation policy required by the server for accepting secure SSL/TLS connection attempts.
<code>policies:target_secure_ invocation_policy:supports</code>	Specifies the invocation policies supported by the server for accepting secure SSL/TLS connection attempts.
<code>policies:client_secure_ invocation_policy:requires</code>	Specifies the invocation policy required by the client for opening secure SSL/TLS connections.
<code>policies:client_secure_ invocation_policy:supports</code>	Specifies the invocation policies supported by the client for opening secure SSL/TLS connections.
<code>orb_plugins</code>	The <code>iiop_tls</code> plug-in must be added to this list, to enable TLS support. Note: Remove the <code>iiop</code> plug-in if you explicitly wish to disable all insecure communications.

Note: See the *Mainframe Security Guide* for more details of these configuration items.

Summary of iSF configuration items

The following is a summary of the configuration items associated with the `iona_services:cicsa:isf` security plug-in:

<code>orb_plugins</code>	List of standard ORB plug-ins the CICS server adapter should load when running in secure mode.
<code>event_log:filters</code>	Specifies the types of events that the CICS server adapter logs in secure mode.
<code>binding:server_binding_list</code>	Specifies a list of potential server-side bindings.
<code>plugins:cicsa:direct_persistence</code>	Specifies the persistence mode adopted by the CICS server adapter service in secure mode. This is an optional item. <code>iiop_tls:port</code> is required if this is specified as "yes".

<code>plugins:cicsa:iiop_tls:port</code>	Specifies the TCP/IP port number that the CICS server adapter uses to listen for incoming secure requests. Valid values are in the range 1025–65535. This is an optional item. Default is 5106.
<code>plugins:cicsa:iiop:port</code>	Specifies the TCP/IP port number that the CICS server adapter uses to listen for incoming insecure requests. Valid values are in the range 1025–65535. This is an optional item. Default is 5006.
<code>plugins:cicsa:use_client_principal</code>	Indicates whether the CICS server adapter should verify the client principal user ID with SAF before trying to start the target CICS program under that ID. The default is no.
<code>plugins:cicsa:check_security_credentials</code>	Indicates whether the CICS server adapter should query the CSI received credentials for a user ID before defaulting to the GIOP Principal value, on receiving a client request.
<code>initial_references: IT_SecurityService:reference</code>	Specifies the IOR for the off-host Security service.
<code>policies:csi:auth_over_transport: target_supports</code>	Specifies that the target server supports receiving username/password authentication data from the client.
<code>policies:csi:auth_over_transport: target_requires</code>	Specifies that the target server requires the client to send username/password authentication data.
<code>policies:csi:auth_over_transport: server_domain_name</code>	Specifies the server's CSIv2 authentication domain name.
<code>policies:csi:attribute_service: target_supports</code>	Specifies that the target server supports receiving propagated user identities from the client.

Common Security Considerations

Overview

This subsection provides details of common security considerations involved in using the CICS server adapter. These security considerations are relevant regardless of which protocol the server adapter is using to communicate with CICS.

This subsection discusses the following topics:

- [Orbix SSL/TLS](#)
- [iSF integration](#)
- [Client authorization](#)
- [SAF plug-in](#)
- [Mapping client principal values to z/OS user IDs](#)
- [RACF program control](#)

Orbix SSL/TLS

Orbix provides transport layer security (TLS) that enables secure connectivity over IIOP. TLS includes authentication, encryption, and message integrity. As with all Orbix servers, you can configure the CICS server adapter to use TLS. See the *Mainframe Security Guide* for details on securing CORBA applications with SSL/TLS.

iSF integration

The IONA security framework (iSF) provides a common security framework for all Orbix components in your system. This framework is involved at both the transport layer (using TLS) and the application layer (using the CORBA CSiv2 protocol and the IONA generic security plug-in (GSP)). At the application level, one of the following authentication credentials can be passed, using the CSiv2 protocol:

- username/password/domain name
- propagated username
- Single sign-on (SSO) token

You can configure the CICS server adapter to use CSI/GSP support. See the *Mainframe Security Guide* for details on iSF and integration with an off-host Security service.

Note: The GSP realm/role authorization functionality is not supported in Orbix Mainframe 6.2.

Client authorization

Even though Orbix Mainframe 6.2 does not support GSP authorization functionality, authorization checks can be performed against the client's Principal value. These authorization checks can be performed in the following ways:

- Using the SAF plug-in, which provides Principal-based access control. Refer to [“SAF plug-in” on page 182](#) for more details.
- As part of the Orbix security mechanisms (for example, checking that the client has invoke rights to the server). Refer to the *Mainframe Security Guide* for more details.
- As part of the CICS security mechanisms (for example, checking that the user is allowed to run the specified program). Refer to [“CICS Security Mechanisms when Using EXCI” on page 185](#) and [“CICS Security Mechanisms when Using APPC” on page 192](#) for more details.

The client's Principal value is a string that is passed as part of an Orbix request that identifies the user on the client side. If Orbix SSL/TLS has not been configured, this value cannot be authenticated in any way. Sophisticated client-side users could fabricate this value, and therefore gain access to server-side resources that those users would not otherwise be allowed to use.

SAF plug-in

This Orbix plug-in provides optional Principal-based access control, similar to that found in IONA's Orbix 2.3-based mainframe solutions. A server might accept or reject incoming requests, based upon a `CORBA::Principal` value in the request header. The value is treated as a z/OS user ID and access is checked against an operation-specific SAF profile name. Access can therefore be controlled on a per-operation basis, or (using generic profiles) on a per-server basis. More details can be found in the `orbixhlq.DOC` PDS which is created as part of the software installation.

Mapping client principal values to z/OS user IDs

For the purposes of checking access to CICS resources, the only translation that the server adapter performs between the client Principal value and the z/OS user ID is to convert lowercase letters to uppercase. This means that users must have the same name on the client platform and z/OS.

RACF program control

If RACF program control is in use on your system, appropriate RACF definitions must be defined for Orbix. Refer to your RACF manuals for further details.

EXCI-Based Security Considerations

Overview

This section provides details of security considerations that are specific to using the EXCI-based server adapter. It describes the various security modes that the EXCI-based server adapter supports, with particular emphasis on how each mode affects the existing CICS security mechanisms.

In this section

The following topics are discussed in this section:

CICS Security Mechanisms when Using EXCI	page 185
Orbix CICS Server Adapter Security Modes for EXCI	page 188

CICS Security Mechanisms when Using EXCI

Background to CICS security mechanisms for EXCI

CICS provides a number of mechanisms for securing access to CICS resources. The EXCI-based server adapter uses EXCI to transfer data into and out of a CICS region. It is therefore bound by the security restrictions that CICS places on it, such as link security, user security, and surrogate checks.

This subsection discusses the following topics:

- [Overview of CICS security mechanisms for EXCI](#)
- [MRO logon security](#)
- [MRO connect security](#)
- [Link security](#)
- [User security](#)
- [Further reading](#)

Overview of CICS security mechanisms for EXCI

[Figure 7](#) provides a graphical overview of the security mechanisms that are relevant to the operation of the EXCI-based server adapter.

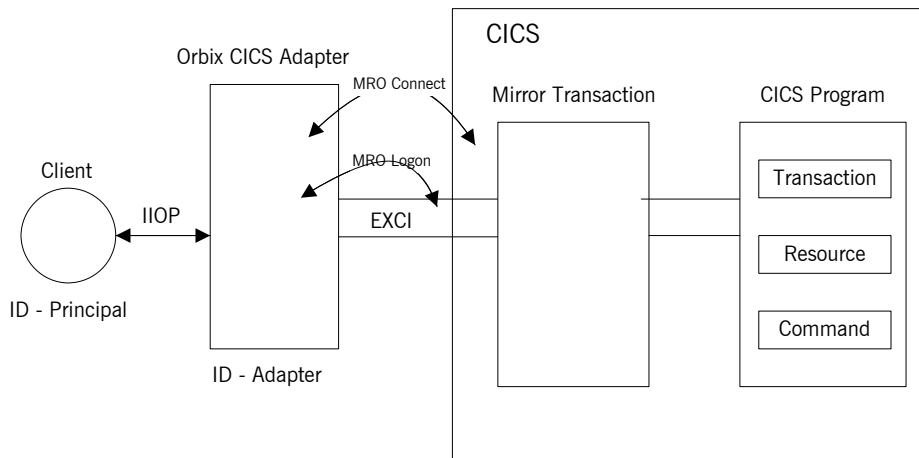


Figure 7: CICS Security Mechanisms for EXCI-Based Server Adapter

MRO logon security

CICS EXCI is designed to allow non-CICS programs (such as the server adapter) to call a program running in a CICS region, without that program needing to be aware that it has been invoked from outside CICS. The program runs as if it were being linked to by another CICS program. EXCI accomplishes this by allowing each EXCI client program to act as a CICS pseudo-region. EXCI uses MRO logon security to ensure that a particular user has the authority to start this particular “pseudo-region”. The pseudo-region is named via the `NETNAME` attribute of the EXCI connection that is to be used.

You can use the `plugins:cics_exci:pipe_name` configuration item to specify the `NETNAME` of a particular EXCI `SPECIFIC` connection, which the server adapter uses for communicating with CICS. When this connection is first used, MRO logon security checks that the user ID under which the server adapter is running is allowed to use that connection. It does this by checking that the user ID has `UPDATE` access to the RACF `FACILITY` class profile named `DFHAPPL.pipename`. If the user ID does not have `UPDATE` access to this RACF `FACILITY` class profile, the server adapter cannot send data into the CICS region.

Note: This check is not made if the server adapter uses the EXCI `GENERIC` connection, which is used by default if you do not specify the `plugins:cics_exci:pipe_name` configuration item when starting the server adapter.

MRO connect security

MRO connect security is normally used to check the authorization of one CICS region to access resources in another region. Because CICS EXCI clients are treated as regions in their own right, this check applies to them also.

You can use the `plugins:cics_exci:pipe_name` configuration item to specify the CICS region to which to connect. Access rights to the CICS region that is specified with the `plugins:cics_exci:pipe_name` configuration item must therefore be checked. This is done by checking for `READ` access to a profile named `DFHAPPL.applid` in the RACF `FACILITY` class.

Link security

Link security checks are made to ensure that a user has access to all the CICS resources that it wants to use. In the case of the server adapter, the following checks can occur:

- If CICS transaction-attach security is enabled (that is, `XTRAN=YES` in the CICS system initialization parameters), access to the EXCI mirror transaction (which is specified via the `plugins:cics_exci:default_tran_id` configuration item) is checked via the RACF `GCICTRNR` and `TCICSTRN` resource classes.
- If CICS resource security is enabled (that is, `RESSEC=ALWAYS` in the CICS system initialization parameters or `RESSEC=YES` in the mirror transaction definition), a whole range of checks can be made for access to resources used by the EXCI mirror transaction. This can include checking for access to the program to be run, if `XPPT=YES` is specified in the CICS system initialization parameters. It can also include checking for resources that program might use, such as files (if `XFCT=YES`), journals (if `XJCT=YES`), and other started transactions (if `XPCT=YES`).

Refer to the *CICS-RACF Security Guide* for more details about which CICS parameters need to be specified to protect the various kinds of resources.

- If CICS command-security checking is enabled, checks are made if the program issues system programming-type (SP-type) CICS commands. Refer to the *CICS-RACF Security Guide* for more details about these commands.

User security

User security performs the same checks as link security. User security checks are only made if the EXCI connection that the server adapter uses (whether `GENERIC` or `SPECIFIC`) is defined with the `ATTACHSEC(IDENTIFY)` attribute. Otherwise, user security is disabled.

Further reading

Refer to the following IBM manuals for full details about securing CICS in general, and EXCI clients in particular:

- *SC33-1185 CICS/ESA CICS-RACF Security Guide*
- *SC33-1390 CICS/ESA External CICS Interface*

Orbix CICS Server Adapter Security Modes for EXCI

Overview

The Orbix CICS server adapter supports two modes of operation with regard to security. The two modes are distinguished by which user identity is made available to CICS for MRO connect and link security checks.

This section discusses the following topics:

- [“Determining the user ID” on page 188.](#)
- [“Default mode” on page 189.](#)
- [“use_client_principal mode” on page 189.](#)
- [“Choosing between the two security modes for EXCI” on page 189.](#)
- [“check_security_credentials iSF option” on page 190.](#)

Determining the user ID

For every incoming client request, the CICS server adapter has two user IDs at its disposal:

- Its own user ID (that is, the ID under which the server adapter executable is running). This is always used for MRO logon security checks.
- The client user ID (that is, the Principal value converted to uppercase, and potentially truncated, to match the requirements of z/OS). This is always used for CICS user security checks (if they are enabled).

By default, the client user ID is the string value that is passed in the GIOP Principal field. For GIOP 1.2 or later versions, the `CORBA::Principal` field has been deprecated; however, as an alternative, Orbix can be configured to pass the Principal user ID in a special service context that is marshaled by the GIOP plug-in.

For installations that have been configured to use the Security service, the client user ID can be obtained from the CSI received credentials. If a user ID is not available in the security credentials, the GIOP Principal value is used instead. See [“check_security_credentials iSF option” on page 190](#) for more details.

The Orbix CICS security mode that is chosen when starting the server adapter determines the mode used for CICS MRO connect and link security.

Default mode

In the default mode, it is the user ID of the server adapter itself that CICS uses to verify access to the region, the EXCI mirror transaction, and the other items already described. If CICS resource security is enabled (that is, `RESSEC=YES` on the mirror transaction definition, or `RESSEC=ALWAYS` in the CICS system initialization parameters), this can include a check for access to the program being invoked and the resources it uses. This means that the server adapter's user ID must be given access to every CICS resource that any potential client can access. Otherwise, the incoming request fails, even though the client itself does have access to every CICS resource it needs.

Running in default mode means that the only security checks made against the client principal are user security checks for EXCI, and then only if user security is enabled.

use_client_principal mode

If you set the `plugins:cicsa:use_client_principal` configuration item to `yes`, the client Principal is used for the two types of checks. In this mode, the server adapter is more transparent, and security checking is similar to that of a user working from a 3270 terminal. Although the user now requires access to the CICS region (the connect check) and the mirror transaction (one of the link checks), the remaining resources that user needs access to should be the same as if that user had signed in from a terminal.

If the `use_client_principal` configuration item is specified, user security checks (which duplicate the link security checks) become redundant and should be disabled by setting `ATTACHSEC(LOCAL)` on the connection.

Choosing between the two security modes for EXCI

The following table summarizes which user ID is used for the CICS security checks in the two modes:

Table 7: *Summary of user IDs used for the CICS Security Checks*

Mode	MRO Logon	MRO Connect	Link	User
Default	Server Adapter	Server Adapter	Server Adapter	Principal
<code>plugins:cicsa:use_client_principal</code>	Server Adapter	Principal	Principal	Principal

Note: In default mode, if the client request does not contain a user principal, the server adapter's user ID is used for user security. This is because the server adapter's user ID is the only one available in this case. This does not apply to `use_client_principal` mode, where such requests are rejected by the server adapter.

check_security_credentials iSF option

If you set the `plugins:cicsa:check_security_credentials` configuration item to `yes`, the CICS server adapter queries the CSI received credentials for a user ID before defaulting to the GIOP Principal value, on receiving a client request. Assuming that the CICS server adapter is running in `use_client_principal` mode, it then attempts to verify that this user ID is authorized to run the specified transaction.

When using the `check_security_credentials` iSF option, the client access ID that is used is one of the following (in order of priority):

1. The propagated user ID that is passed using the identity assertion mechanism.
2. The GSSUP token username
3. The GIOP Principal.

If a user ID is not available from any of these sources, the client request is rejected.

Note: The `check_security_credentials` iSF option only takes effect if the Orbix domain has been configured to use iSF. See the *Mainframe Security Guide* for more details.

APPC-Based Security Considerations

Overview

This section provides details of security considerations that are specific to using the APPC-based server adapter. It describes the various security modes that the APPC-based server adapter supports, with particular emphasis on how each mode affects the existing CICS security mechanisms.

In this section

The following topics are discussed in this section:

CICS Security Mechanisms when Using APPC	page 192
Orbix CICS Server Adapter Security Modes for APPC	page 198

CICS Security Mechanisms when Using APPC

Overview of APPC (LU 6.2 Protocol)

APPC is an implementation of the SNA LU 6.2 protocol for program-to-program communication across networks. An LU allocates a conversation to another LU and exchanges data with it. LU 6.2 defines a number of characteristics that can be established for a conversation. These include throughput, transactional behavior, and levels of security. APPC provides a set of programming interfaces that are used to construct programs that can send or receive LU 6.2 conversations.

This subsection discusses the following topics:

- [Overview of CICS security mechanisms for APPC](#)
- [Characteristics of the APPC-based server adapter](#)
- [LU 6.2 conversation security levels](#)
- [Preventing unauthorized access](#)
- [Security for users already logged on](#)
- [Session-level verification](#)
- [APPCLU class profiles](#)
- [Restricting authorized use of LU names](#)
- [Setting bind security on CONNECTION resource](#)

Overview of CICS security mechanisms for APPC

Figure 8 provides a graphical overview of the security mechanisms that are relevant to the operation of the APPC-based server adapter.

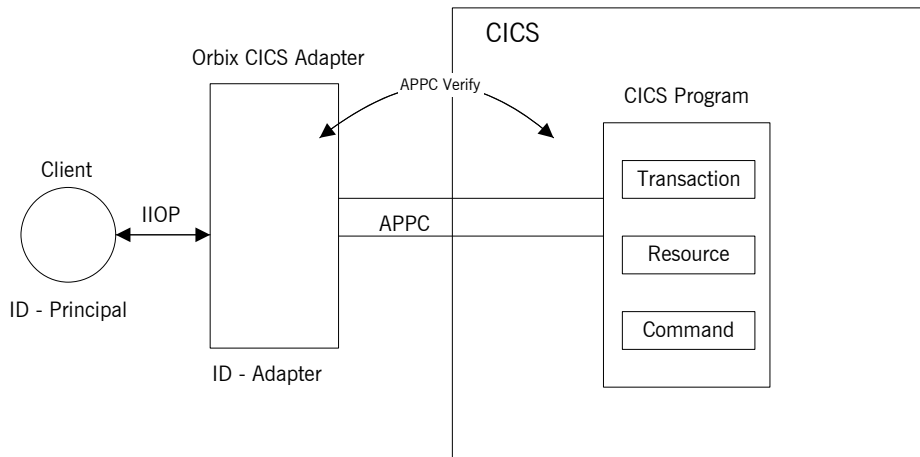


Figure 8: CICS Security Mechanisms for APPC-Based Server Adapter

Characteristics of the APPC-based server adapter

The APPC-based server adapter has been constructed as an outbound LU. This means that it accepts data from CORBA clients on a TCP/IP network, sends that data on to the CICS LU via an LU 6.2 conversation, and then returns the data it receives from CICS back to the TCP/IP network.

LU 6.2 conversation security levels

The LU 6.2 protocol, of which APPC/MVS is an implementation, defines three levels of conversation security:

- `security_none` No user identification is passed during the conversation. Access to resources on the receiving (inbound) side is limited to those that are universally available. In RACF terms, this means that the only resources used are those protected by profiles with a UACC other than `NONE`.

`security_same` The identity of the initiating (outbound) user is passed when starting the conversation. On the receiving side, access is granted to all resources for which that user has appropriate permissions. Essentially, the program running on the receiving side is expected to have the same access privileges as if the user had logged in directly. No authentication of the user is performed, because the inbound side of the conversation is expected to pass an `already verified` flag, to indicate that the user's identity has already been checked.

The CICS server adapter attempts to use `security_same` when allocating its conversations with the APPC/CICS inbound transaction program. This allows the CICS transaction that is being scheduled to be associated with a particular user, so that existing CICS mechanisms can be used for resource-access checking and auditing. However, `security_none` might be used if VTAM refuses `already verified` connections to the LU. Refer to [“Session-level verification” on page 195](#) for further details.

`security_pgm` The initiating side sends a user identity value to be used on the receiving side. This is not necessarily the identity of the user initiating the conversation. The program on the receiving side is expected to run with the privileges of the specified user. For authentication purposes, the inbound side must also send an associated password value for the user, which is checked via RACF services.

A conversation using `security_pgm` is not possible with the CICS server adapter, because it has no access to passwords for its clients.

Note: Although the LU 6.2 protocol can be used for network communication, the CICS server adapter is only intended to be run on the same machine as the CICS region with which it is communicating.

Preventing unauthorized access

Generally, in a network environment, it is a ridiculous idea that a client should be authenticated by a server merely on the basis that it claims to have been `already-verified`. After all, it is possible for a sophisticated user on a workstation to forge any desired identity merely by fabricating the appropriate LU 6.2 protocol exchanges with the z/OS host. Therefore, to

prevent such unauthorized access, z/OS provides a way to specify what information must be passed, to connect to a particular LU. This is done by specifying the `SECACPT=CONV` key in the `APPL` definition for the VTAM ACB associated with the LU.

When allocating a conversation with an LU defined in this way, the initiating LU must provide a user ID and password: the `already-verified` indicator is not accepted. If the required data is not passed, VTAM permits the connection, but the level of conversation security is reduced to `security_none`, and only universally available resources are accessible on the receiving side. Therefore, to get access to resources on the inbound side, the outbound user must provide a password.

Security for users already logged on

Consider the special case of a user already logged onto the host, who is using APPC/MVS to communicate with an LU on the same z/OS host. This is known as an `LU=LOCAL` conversation. In this case, the security information that is passed between the two sides for a `security_same` conversation is contained entirely within APPC/MVS itself: the outbound LU extracts the user's identity automatically for presentation to the inbound LU. There is no opportunity for the user to insert a fabricated identity. In such cases, there should be no need for APPC/MVS to enforce the password requirement: the user has already provided a password to gain access to the host in the first place.

When running on z/OS, the CICS server adapter is in a similar situation to a logged-on user. If it initiates conversations to the CICS LU under its own identity (the default mode), that identity has either been verified when the user that started the server adapter logged on (if the server adapter is submitted as a job or started interactively), or it has been assigned by the security product when the work is started by an operator (if the server adapter is run as a started task). Even if the server adapter is initiating conversations under the identity of its clients, with the `plugins:cicsa:use_client_principal` configuration item set to `yes`, it can only do that if it is running under a user ID that has been given authority to do that. Additionally, it must have gone through at least one of the checks already mentioned, to run under that user ID.

Session-level verification

A secure but efficient APPC environment is, therefore, one that permits only `security_pgm` conversations from remote machines, but which allows `security_same` for `LU=LOCAL` conversations. In fact, prior to OS/390 V1R3,

this is what APPC/MVS provided for LUs defined with `SECACPT=CONV`, because VTAM did not enforce the `SECACPT=CONV` specification for `LU=LOCAL` conversations. Since OS/390 V1R3, however, this is enforced¹, so an alternate means of allowing `security_same` for `LU=LOCAL` conversations must be used. This is accomplished on z/OS, using *session-level verification*.

Session-level verification introduces the concept of a *session key* that can be used instead of a password for conversations between two specific LU names only. If `VERIFY=OPTIONAL` is coded on the `APPL` definition of the VTAM ACB for an LU, VTAM allows a `security_same` conversation to be established, provided the other LU can correctly respond to a demand for the session key that has been defined for these two LU names. On z/OS, these session keys are maintained by RACF in `APPCLU` class profiles.

APPCLU class profiles

`APPCLU` class profiles have names that take the following form:

```
'networkid.local-lu-name.partner-lu-name'
```

They contain information to be used by APPC/MVS on one side of a conversation. Even if both LUs are on the same z/OS host, each LU examines a different profile, because each side of the conversation considers itself to be the local LU.

For example, if an LU named `OUTLU` initiates a conversation with an LU named `INLU` that has `SECACPT=CONV` and `VERIFY=OPTIONAL` coded on its ACB, APPC/MVS on the inbound side determines the correct session key by consulting the `networkid.INLU.OUTLU` `APPCLU` profile. On the outbound side, when challenged for a session key, the initiating APPC/MVS consults the `networkid.OUTLU.INLU` profile, for the key value to return. VTAM, on the inbound side, permits the conversation to proceed as `security_same`, only if the key values in the two profiles match and `CONVSEC (ALREADYV)` is also coded in the inbound `APPCLU` profile.

Restricting authorized use of LU names

Additionally, because *session-level verification* is performed on the basis of LU name rather than on the basis of user name, it is necessary to restrict the users that are authorized to use those particular LU names. This is done via the RACF `APPCPORT` class. By defining a profile in this class with the name of an LU, you can use its access list to control who can initiate or accept APPC conversations with that LU on this system.

1. Refer to the IBM publication *GC28-1747 OS/390 V1R3.0 MVS Conversion Notebook* for more details.

**Setting bind security on
CONNECTION resource**

The aim of the APPC-based server adapter is to integrate with CICS in such a way that all the existing mechanisms continue to work. For CICS and APPC, this is regulated by the setting of the bind security on the `CONNECTION` resource, as described in [“Bind Time Security with APPC” on page 84](#).

Orbix CICS Server Adapter Security Modes for APPC

Overview

The APPC-based CICS server adapter supports two modes of operation with regard to security. These are discussed as follows:

- [Default mode](#)
- [use_client_principal mode](#)

Default mode

In the default mode, CICS and APPC use the server adapter's user ID to verify access to the LU names, to the CICS region, to the CICS transaction, to databases, and so on. This means that the server adapter's user ID must be given access to not just the APPC resources, but also to every CICS resource that any potential client can access. Otherwise, an incoming request might fail, even though the client itself has access to every CICS resource it needs.

use_client_principal mode

If you set the `plugins:cicsa:use_client_principal` configuration item to `yes`, the server adapter assumes the identity of the client before initiating the APPC conversation. This means that the client Principal is used for the APPC and CICS checks. In this mode, the server adapter is somewhat more transparent, and security checking is similar to that of a user working from a 3270 terminal. Although users now require access to the server adapter LU and the CICS LU, the remaining resources to which users need access should be the same as if they had signed in from a terminal.

The `plugins:cicsa:use_client_principal` mode works by having the server adapter use the services of z/OS to establish a thread-level security environment with the identity of the client for portions of its processing. This causes APPC and CICS to use that user ID for their checks. This does incur some extra overhead on each client request compared to the default mode.

Mapping IDL Interfaces to CICS

This chapter provides information on how a CICS server adapter exposes CICS transactions as CORBA servers. It details the role that the mapping file plays in mapping CORBA operations and attributes for a given interface to a target transaction. It also details the role of the type information source (IFR or type_info store) in marshalling data from a client request.

In this chapter

This chapter discusses the following topics:

The Mapping File	page 200
Using the IFR as a Source of Type Information	page 206
Using type_info store as a Source of Type Information	page 216

The Mapping File

Overview

This section describes how the mapping file is used by the CICS server adapter. It also describes the contents of the file and how it can be generated using the Orbix IDL compiler.

In this section

This section discusses the following topics:

Characteristics of the Mapping File	page 201
Generating a Mapping File	page 203

Characteristics of the Mapping File

Overview

This subsection describes the mapping file, its format, how it supports IDL attributes, and its relationship with type information sources. It discusses the following topics:

- [Description](#)
- [Mapping file format](#)
- [Support for IDL attributes](#)

Description

The mapping file is a simple text file that determines what interfaces and operations the CICS server adapter supports, and the transaction names to which it should map each operation. The file is read when the CICS server adapter starts, and can be written or re-read during the server adapter operation by using the `MappingGateway` interface or the `itadmin mfa` commands. Refer to [“Making runtime modifications to mappings” on page 205](#) for more details.

Mapping file format

Each mapping entry in the file is specified as a tuple that specifies the following:

```
(interface name, operation name, CICS program/transaction name)
```

Tuples can span lines. All white space (including blanks embedded in names) is ignored.

In the tuples, if an IDL interface is scoped within a module or modules, the module name or names must then be included in the interface name. The module names are separated from each other and from the interface name with `/` characters. The interface name therefore has the following layout if it is scoped within two modules:

```
module_name/module_name/interface_name
```

For the EXCI plug-in, the third element in the tuple is an eight character program name. This is the program name of the Orbix server running inside CICS for this interface and operation. For the APPC plug-in, the third element in the tuple is a four character transaction name. This is the transaction name that is used by APPC to run the Orbix server inside CICS for this interface and operation.

Additionally, for the EXCI plug-in, you can also choose to specify the EXCI mirror transaction for each individual entry in the mapping file. In this case, each mapping in the file is specified as follows:

```
(interface_name, operation_name, program_name:mirror_tran_name)
```

For example, the following entry maps the set operation on the simple interface (see the `Simple` IDL below) to the `SIMPLESV` CICS program and `ORX2` EXCI mirror transaction:

```
(Simple/SimpleObject, call_me, SIMPLESV:ORX2)
```

Ensure that there are no spaces before or after the colon that separates the CICS program name and mirror transaction name. If the mirror transaction name is not specified, which is the default situation, the server adapter uses the transaction name that you can specify with the `plugins:cics_exci:default_tran_id` configuration item when starting the server adapter.

Support for IDL attributes

Attributes of IDL interfaces are supported by using `_get_attribute` and `_set_attribute` to read and write a particular attribute. For example, consider the `Simple` IDL:

```
module Simple {
    interface SimpleObject
    {
        void
        call_me();
    };
};
```

The following file maps the operation `call_me` on the `SimpleObject` interface to the CICS transaction named `SIMPLESV`:

```
(Simple/SimpleObject, call_me, SIMPLESV)
```

If the `SimpleObject` interface had a read-only attribute; for example, `something` (which it does not have in the sample application supplied by IONA), it needs an entry as follows in the mapping file:

```
(Simple/SimpleObject, _get_something, SIMPLESV)
```

Because the `something` attribute of the `SimpleObject` interface is specified as read-only in the IDL file, no `_set_something` operation is necessary.

Generating a Mapping File

Overview

An IDL compiler plug-in is available, called `mfa`, that is used to generate CICS server adapter mapping files.

This subsection discusses the following topics:

- [Adapter mapping file versus other mapping files](#)
- [Sample IDL](#)
- [Generating mapping files on z/OS UNIX System Services](#)
- [Generating mapping files on native z/OS](#)
- [Making runtime modifications to mappings](#)

Adapter mapping file versus other mapping files

The CICS server adapter mapping file is completely unrelated to the mapping file used by the COBOL and PL/I IDL compilers. The CICS server adapter mapping file is used by the server adapter to select which transaction to run inside CICS, while the mapping file used by the COBOL and PL/I IDL compilers changes the names of specific items of source code generated by the IDL compiler.

Sample IDL

The code samples for generating a CICS server adapter mapping file are based on `Simple` IDL:

```
module Simple {
    interface SimpleObject
    {
        void
        call_me();
    };
};
```

Generating mapping files on z/OS UNIX System Services

To generate a mapping file on z/OS UNIX System Services, run the following command:

```
idl -mfa:-tSIMPLESV simple.idl
```

The `-t` parameter specifies the program or transaction that is run inside CICS for each IDL operation. For EXCI, it is the eight-character program name. For APPC, it is the four-character transaction name.

Refer to [“Mapping file format” on page 201](#) for details of the format of the mapping file generated.

Generating mapping files on native z/OS

The following is an example of JCL you can use to generate a mapping file on native z/OS:

```
//MAPFILE JOB      (),
//          CLASS=A,
//          MSGCLASS=X,
//          MSGLEVEL=(1,1),
//          NOTIFY=&SYSUID,
//          REGION=0M,
//          TIME=1440
//*
//          JCLLIB ORDER=(HLQ.ORBIX62.PROCLIB)
//          INCLUDE MEMBER=(ORXVARS)
//*
//*
//* Generate an operation mapping file CICS Server Adapter
//*
//IDLMAP EXEC ORXIDL,
//          SOURCE=SIMPLE,
//          IDL=&ORBIX..DEMOS.IDL,
//          IDLPARAM='-mfa:-tSIMPLESV'
//IDLMFA DD DISP=SHR,DSN=&ORBIX..DEMOS.CICS.MFAMAP
```

The `-t` parameter specifies the program or transaction that is run inside CICS for each IDL operation. For EXCI, it is the eight-character program name. For APPC, it is the four-character transaction name.

Note: If the `-mfa` option is specified to the Orbix IDL compiler, the `IDLMFA DD` statement defines the PDS used to store the generated CICS server adapter mapping file.

Refer to [“Mapping file format” on page 201](#) for details of the format of the mapping file generated.

Making runtime modifications to mappings

A CICS server adapter caches mapping files internally during execution. This cache can be modified allowing mappings to be added, changed, or deleted. This functionality is exposed by the `itadmin mfa` command (refer to [“Using the MappingGateway Interface” on page 234](#) for a complete list of `itadmin mfa` commands). The syntax is as follows:

```
mfa
  add      -interface <name> -operation <name> <mapped value>
  change   -interface <name> -operation <name> <mapped value>
  delete   -interface <name> -operation <name>
```

The contents of this internal cache can be re-written (using `mfa save`) to file, to ensure that the mapping file is kept up-to-date. To refresh an internal cache from file, you can use `mfa reload` or `mfa switch`. The syntax is as follows:

```
mfa
  reload
  save   [<mapping_file name>]
  switch <mapping_file name>
```

Using the IFR as a Source of Type Information

Overview

This section describes how the IFR can be used as the source of type information by the CICS server adapter.

In this section

This section discusses the following topics:

Introduction to Using the IFR	page 207
Registering IDL interfaces with the IFR	page 209
Informing CICS Server Adapter of a New Interface in the IFR	page 212
Using an IFR Signature Cache file	page 214

Introduction to Using the IFR

Overview

This subsection introduces how the IFR can be used to supply type information to the CICS server adapter. It details how interfaces can be registered with the IFR, and the operation of the server adapter when using the IFR. It also describes how an IFR cache can be employed to improve performance.

This subsection discusses the following topics:

- [Description of the IFR](#)
- [Configuration of the IFR](#)
- [Operation of IFR when no IFR signature cache file is specified](#)
- [Steps for using the IFR](#)

Description of the IFR

The IDL for the interfaces and operations specified in the mapping file must be available to the IFR server that the CICS server adapter uses. This information is required by the server adapter to marshal a request from a client. Therefore, IDL for supported interfaces must be added to the IFR. The steps for doing this are detailed below. To improve performance the IFR can be used with an optional IFR signature cache file.

Configuration of the IFR

If you want to use the IFR you must ensure that the appropriate configuration variables are set. Additionally, if you want to use an IFR signature cache file, the relevant configuration variable must also be set. Refer to [“IFR signature cache file” on page 64](#) for more information.

Operation of IFR when no IFR signature cache file is specified

The server adapter contacts the IFR during start-up and attains operation signatures for operations defined in the mapping file. If an operation signature changes (for example, changing the return type from `void` to `float`) and the server adapter is notified (for example, if `itadmin mfa refresh` is called), it contacts the IFR to retrieve this modified signature.

If you want to use the IFR signature cache file refer to [“Using an IFR Signature Cache file” on page 214](#).

Steps for using the IFR

To use the IFR follow these steps:

Step	Action
1	Register IDL interfaces with the IFR. Refer to “Registering IDL interfaces with the IFR” on page 209 for further details.
2	Inform the CICS server adapter that the contents of the IFR have been modified. Refer to “Informing CICS Server Adapter of a New Interface in the IFR” on page 212 for more details.

Registering IDL interfaces with the IFR

Overview

This subsection describes how to register IDL interfaces with the IFR. It discusses the following topics:

- [Sample IDL](#)
- [Registering IDL on native z/OS](#)
- [Registering IDL on z/OS UNIX System Services](#)
- [Specifying a -ORB argument](#)

Sample IDL

The code samples for registering IDL with the IFR are based on the following `Simple::SimpleObject` interface in the `simple.idl` file:

```
module Simple {  
    interface SimpleObject  
    {  
        void  
        call_me();  
    };  
};
```

Registering IDL on native z/OS

To add IDL (for example, the `SIMPLE` IDL member) to the IFR on native z/OS, use the following JCL:

```
//ADDIFR JOB (),
// CLASS=A,
// MSGCLASS=X,
// MSGLEVEL=(1,1),
// NOTIFY=&SYSUID,
// REGION=0M,
// TIME=1440
//*
// JCLLIB ORDER=(HLQ.ORBIX62.PROCLIB)
// INCLUDE MEMBER=(ORXVARS)
//*
/* Make the following changes before running this JCL:
/*
/* 1. Change 'SET DOMAIN='DEFAULT@' to your configuration
/* domain name.
/*
// SET DOMAIN='DEFAULT@'
/*
/* Add an interface to the IFR
/*
//IDLMAP EXEC ORXIDL,
// SOURCE=SIMPLE,
// IDL=&ORBIX..DEMOS.IDL,
// IDLPARM='-R'
//ITDOMAIN DD DSN=&ORBIXCFG(&DOMAIN),DISP=SHR
```

Registering IDL on z/OS UNIX System Services

To add IDL (for example, the `simple.idl` file) to the IFR on z/OS UNIX System Services, use the following command:

```
$ idl -R simple.idl
```

Specifying a -ORB argument

When registering IDL with the IFR, the `idl -R` command invokes an IDL back end that acts as a CORBA client to the IFR server. The client sends the IDL definitions by invoking CORBA calls on the IFR. Therefore, you might want to specify an ORB argument that can be used in the client's `ORB_init()` call before it communicates with the IFR. For example, to specify a different Orbix domain name on z/OS UNIX System Services, enter the following command:

```
idl -R:-ORBdomain_name=domain2
```

Informing CICS Server Adapter of a New Interface in the IFR

Overview

After you add an interface to the IFR, the CICS server adapter must be notified for the updates to take effect. If adding support for a new interface or operation, the `itadmin mfa add` command can be used. In addition to creating a new binding between operation and CICS transaction in the mapping file, it also causes the CICS server adapter to contact the IFR to retrieve the operation signature for the new operation.

This subsection discusses the following:

- [Informing the server adapter of a new IDL interface on native z/OS](#)
- [Informing the server adapter of a new IDL interface on z/OS UNIX System Services](#)
- [Notifying the server adapter of modifications to the IFR](#)

Informing the server adapter of a new IDL interface on native z/OS

To inform the CICS server adapter that the `SimpleObject` interface (see “[Sample IDL](#)” on page 203 for an example) has been added to the IFR on native z/OS, use the following JCL:

```
//ADDMFA JOB (),
// CLASS=A,
// MSGCLASS=X,
// MSGLEVEL=(1,1),
// NOTIFY=&SYSUID,
// REGION=0M,
// TIME=1440
//*
// JCLLIB ORDER=(HLQ.ORBIX62.PROCLIB)
// INCLUDE MEMBER=(ORXVARS)
//*
/* Make the following changes before running this JCL:
/*
/* 1. Change 'SET DOMAIN='DEFAULT@' to your configuration
/* domain name.
/*
// SET DOMAIN='DEFAULT@'
/*
```

```

/** Add an interface mapping to the CICS Adapter
/**
//CICSADD EXEC ORXADMIN,
// PARM='-ORBname iona_services.cicsa'
//SYSIN DD *
    mfa add \
        -interface Simple/SimpleObject \
        -operation call_me \
        SIMPLESV
/**
//ITDOMAIN DD DSN=SHR,DSN=&ORBIXCFG(&DOMAIN),DISP=SHR

```

Informing the server adapter of a new IDL interface on z/OS UNIX System Services

To inform the CICS server adapter that the `SimpleObject` interface (see [“Sample IDL” on page 203](#) for an example) has been added to the IFR on z/OS UNIX System Services, use the following command:

```

$ itadmin -ORBname iona_services.cicsa mfa add -interface
Simple/SimpleObject -operation call_me SIMPLESV

```

Notifying the server adapter of modifications to the IFR

The `itadmin mfa refresh` command is used to notify the CICS server adapter that an already supported operation signature has changed. It causes the CICS server adapter to contact the IFR and retrieve the updated operation signature and place this in its internal cache.

You can also use `refreshInterface()` or `refreshOperation()`. These functions are available via the `MappingGateway` interface and can be used to refresh the server adapter's internal cache of operation signatures by contacting the IFR. This requires that a corresponding entry exist for the operation(s) in the mapping file.

Using an IFR Signature Cache file

Overview

This subsection describes how an IFR signature cache file can be used in conjunction with the IFR to improve performance of the CICS server adapter. It discusses the following topics:

- [Prerequisites to using the IFR signature cache file](#)
- [First run of the server adapter after configuration](#)
- [Subsequent runs of the server adapter](#)
- [Runtime modifications to the IFR](#)
- [Updating an IFR signature cache file](#)

Prerequisites to using the IFR signature cache file

Before you use a signature cache file you must specify the name of the signature cache file you want to use, in the `plugins:cicsa:ifr:cache` configuration item in the `iona_services:cicsa` configuration scope. Refer to [“IFR signature cache file” on page 64](#) for more details.

First run of the server adapter after configuration

When the server adapter is started after this configuration item is set, a new signature cache file is generated with this name, and the contents of the IFR are saved to it. If an operation signature is not available for an operation defined to the CICS server adapter via the mapping file, a warning message is output. For example, the warning message for an IDL interface called `Simple/SimpleObject` with a single operation called `call_me` is similar to the following:

```
Tue, 03 Dec 2002 12:35:30.000000 [MYMACHINE:16777601]
(IT_MFA:100) W - synchronization problem occurred for mapping
(Simple/SimpleObject,call_me) - unable to obtain type
information for the operation
```

Subsequent runs of the server adapter

With subsequent runs of the server adapter the IFR is not contacted during start-up. Instead it reads the list of operation signatures directly from the signature cache file. This should lead to an improvement in how long it takes to start the server adapter, especially if you need to start multiple server adapters simultaneously. This means the server adapters can be ready and available more quickly for client requests.

Runtime modifications to the IFR

During runtime, the CICS server adapter can contact the IFR to load or refresh an operation entry. Upon shutdown, the server adapter updates the signature cache file with the operation signatures it has used.

Note: The IFR signature cache file is only ever accessed twice. First, it is accessed in read mode during start-up. This boosts performance by preventing the IFR being contacted initially. Second, it is accessed in write mode during shutdown. This dumps the operation signatures used by the server adapter to a signature cache file, so that this can be used when the server adapter is restarted.

Updating an IFR signature cache file

If type information subsequently changes in the IFR, you can update the information in the signature cache file using `refreshInterface()` or `refreshOperation()`.

If you are using the IFR signature cache file, either or both of these can be used on the *MappingGateway* interface, to consult the IFR and update the cached IFR operation signatures in-memory in the CICS server adapter with a specified interface or operation (or both).

Using type_info store as a Source of Type Information

Overview

This section describes how a type_info store can be used as the source of type information by the CICS server adapter.

In this section

This section discusses the following topics:

Introduction to Using a type_info Store	page 217
Generating type_info Files using the IDL Compiler	page 219
Informing CICS Server Adapter of a new type_info Store File	page 221

Introduction to Using a type_info Store

Overview

This section describes the type_info store in terms of how the Orbix IDL compiler can be used to generate these files, the operation of the server adapter when using a type_info store, and how the store can be updated.

This section discusses the following topics:

- [Description](#)
- [Configuration](#)
- [Operation of CICS server adapter using type_info stores](#)
- [Steps for using a type_info store](#)

Description

The type_info store is one method of supplying IDL interface information to the CICS server adapter. It is an alternative approach to the IFR, and uses a file-based approach to represent operation signatures. The CICS server adapter can access these files at start-up and runtime, to obtain operation signatures, which it requires to marshal data from the CORBA client.

Note: If you are using a type_info store, the CICS server adapter does not require the IFR. This means that a CICS server adapter that is using a type_info store can be run in standalone mode, by configuring it to run in direct persistent mode.

Configuration

If you want to use a type_info source you must ensure that the appropriate configuration items are set. Refer to [“type_info store” on page 65](#) for more information.

Operation of CICS server adapter using type_info stores

The Orbix IDL compiler generates type_info files. When the CICS server adapter is started it accesses the type_info store and, for all operations for which an operation-to-transaction mapping entry exists, it loads the operation signatures into an internal cache. These operation signatures are required by the CICS server adapter to unmarshal operation arguments from a client request, and to marshal the response back.

During runtime, the `type_info` store can be updated dynamically (for example, to add support for a new interface, or to reflect a change in one or more operation signatures). This simply requires generating a new `type_info` file and then requesting the CICS server adapter to refresh its internal operation signature cache with the latest version in the `type_info` store.

Steps for using a `type_info` store

To use a `type_info` store do the following:

Step	Action
1	Use the IDL compiler to generate (or regenerate for subsequent additions or other modifications) a <code>type_info</code> file for IDL. Refer to “Generating <code>type_info</code> Files using the IDL Compiler” on page 219 for further details.
2	Inform the CICS server adapter of a new or modified interface. Refer to “Informing CICS Server Adapter of a new <code>type_info</code> Store File” on page 221 for further details.

Generating type_info Files using the IDL Compiler

Overview

This subsection describes the process of generating type_info store files. It discusses the following topics:

- [Sample IDL](#)
- [On z/OS UNIX System Services](#)
- [On native z/OS](#)

Sample IDL

The code samples for generating a type_info file are based on `Simple` IDL

```
module Simple {
    interface SimpleObject
    {
        void
        call_me();
    };
};
```

On z/OS UNIX System Services

To generate a type_info file on z/OS UNIX System Services for the `Simple` IDL, run the IDL compiler as follows:

```
idl -mfa:-inf simple.idl
```

This generates a type_info file named `simpleB.inf`.

Note: By default, the mfa backend generates type_info files with a suffix of `B`. This can be modified by editing the `MFAMappings` scope in `orbixhlq.CONFIG(IDL)`.

On native z/OS

To generate a `type_info` file on native z/OS for the `Simple` IDL, submit the following JCL to run the IDL compiler:

```
//ADMFJA JOB (),
//      CLASS=A,
//      MSGCLASS=X,
//      MSGLEVEL=(1,1),
//      NOTIFY=&SYSUID,
//      REGION=0M,
//      TIME=1440
//*
//      JCLLIB ORDER=(HLQ.ORBIX62.PROCLIB)
//      INCLUDE MEMBER=(ORXVARS)
//*
//*
/* Add an interface mapping to the CICS Server Adapter
/*
//IDLCBL EXEC ORXIDL,
//      SOURCE=SIMPLE,
//      IDL=&ORBIX..DEMOS.IDL,
//      COPYLIB=&ORBIX..DEMOS.CICS.CBL.COPYLIB,
//      IMPL=&ORBIX..DEMOS.CICS.CBL.SRC,
//      IDLPARM='-mfa:-inf'
//IDLTPEI DD DISP=SHR,DSN=&ORBIX..DEMOS.TYPEINFO
```

This generates a `type_info` file named `orbixhlq.DEMOS.TYPEINFO(SIMPLEB)`.

Note: By default, the `mfa` backend generates `type_info` files with a suffix of `B`. This can be modified by editing the `MFAMappings` scope in `orbixhlq.CONFIG(IDL)`.

Note: If the `-mfa:-inf` option is specified to the Orbix IDL compiler, the `IDLTPEI DD` statement defines the PDS used to store the generated `type_info` file.

Informing CICS Server Adapter of a new type_info Store File

Overview

After you add a file to the type_info store, the CICS server adapter must be notified for the updates to take effect. If adding support for a new interface or operation, the `itadmin mfa add` command can be used. In addition to creating a new binding between operation and CICS transaction in the mapping file, it also causes the CICS server adapter to access the type_info store to retrieve the operation signature for the new operation.

This subsection discusses the following:

- [Informing the server adapter of a new IDL interface on native z/OS](#)
- [Informing the server adapter of a new IDL interface on z/OS UNIX System Services](#)
- [Notifying the server adapter of modifications to the type_info store](#)

Informing the server adapter of a new IDL interface on native z/OS

To inform the CICS server adapter that the `SimpleObject` interface (see [“Sample IDL” on page 219](#) for an example) has been added to the type_info store on native z/OS, use the following JCL:

```
//ADDMFA JOB (),
// CLASS=A,
// MSGCLASS=X,
// MSGLEVEL=(1,1),
// NOTIFY=&SYSUID,
// REGION=0M,
// TIME=1440
//*
// JCLLIB ORDER=(HLQ.ORBIX62.PROCLIB)
// INCLUDE MEMBER=(ORXVARS)
//*
/* Make the following changes before running this JCL:
/*
/* 1. Change 'SET DOMAIN='DEFAULT@' to your configuration
/* domain name.
/*
// SET DOMAIN='DEFAULT@'
/*
/* Add an interface mapping to the CICS Adapter
/*
```

```
//CICSADD EXEC ORXADMIN,
// PPARM='-ORBname iona_services.cicsa'
//SYSIN DD *
mfa add \
  -interface Simple/SimpleObject \
  -operation call_me \
SIMPLESV
/*
//ITDOMAIN DD DSN=&ORBIXCFG(&DOMAIN) ,DISP=SHR
```

Informing the server adapter of a new IDL interface on z/OS UNIX System Services

To inform the CICS server adapter that the `SimpleObject` interface (see [“Sample IDL” on page 219](#) for an example) has been added to the `type_info` store on z/OS UNIX System Services, use the following command:

```
$ itadmin -ORBname iona_services.cicsa mfa add -interface
Simple/SimpleObject -operation call_me SIMPLESV
```

Notifying the server adapter of modifications to the `type_info` store

The `itadmin mfa refresh` command is used to notify the CICS server adapter that an already supported operation signature has changed. (Refer to [“Using the MappingGateway Interface” on page 234](#) for a complete list of `itadmin mfa` commands.) It causes the CICS server adapter to access the `type_info` store and retrieve the updated operation signature and place this in its internal cache.

You can also use `refreshInterface()` or `refreshOperation()`. These functions are available via the `MappingGateway` interface and can be used to refresh the server adapter’s internal cache of operation signatures by accessing the `type_info` store. This requires that a corresponding entry exists for the operation(s) in the mapping file.

Using the CICS Server Adapter

This chapter provides information on running and using the CICS server adapter. It provides details on how to start and stop the server adapter. It provides details on how to use the server adapter to act as a dynamic bridge to pass IDL-based requests into CICS. It describes how to use the MappingGateway interface of the server adapter. It also explains how to add a portable interceptor to the server adapter and gather accounting information in the server adapter.

In this chapter

This chapter discusses the following topics:

Preparing the Server Adapter	page 225
Starting the Server Adapter	page 229
Stopping the CICS Server Adapter	page 231
Running Multiple Server Adapters Simultaneously	page 232
Using the MappingGateway Interface	page 234
Locating CICS Server Adapter Objects Using itmfaloc	page 237
Adding a Portable Interceptor to the CICS Server Adapter	page 240

Enabling the GIOP Request Logger Interceptor	page 251
Gathering Accounting Information in the Server Adapter	page 253
Exporting Object References at Runtime	page 260

Preparing the Server Adapter

Overview

This section describes what needs to be done to run the server adapter in prepare mode. It discusses the following topics:

- [Prerequisites to running the server adapter in prepare mode](#)
 - [Running the CICS server adapter in prepare mode](#)
 - [Sample JCL to run the CICS server adapter in prepare mode](#)
 - [Location of CICS server adapter IORs](#)
 - [The IT_MFA IOR](#)
 - [The IT_MFA_CICSRAW IOR](#)
 - [Sample configuration file](#)
 - [Running the CICS server adapter on z/OS UNIX System Services](#)
-

Prerequisites to running the server adapter in prepare mode

If you are using a type_info store as the type information source (as is the default), you can run the CICS server adapter in standalone mode, if you wish. This requires setting the CICS server adapter to run in direct persistent mode. In direct persistent mode, the CICS server adapter does not require the other Orbix Mainframe services.

If you are using the IFR as the type information source, you must first run the locator, node daemon, and IFR in prepare mode. Ensure that these are prepared as described in the *Mainframe Installation Guide* and that they are running.

Additionally, if you are running the server adapter in prepare mode by using the batch prepare JOB, ensure that the `initial_references:IT_cicsraw:plugin` configuration item is set to "cics_exci". This avoids non-zero return codes being issued by the prepare JOB.

Running the CICS server adapter in prepare mode

Run the server adapter in prepare mode. This generates IORs and writes them to a file, which you can then include in your configuration file. A job to run the CICS server adapter in prepare mode is provided in

`orbixhlq.JCLLIB(PREPCICA)`.

Sample JCL to run the CICS server adapter in prepare mode

This JCL contains the default high-level qualifier, so change it to reflect the proper value for your installation:

```
//PREPCICA JOB (),
//      CLASS=A,
//      MSGCLASS=X,
//      MSGLEVEL=(1,1),
//      NOTIFY=&SYSUID,
//      REGION=0M,
//      TIME=1440
//*
//      JCLLIB ORDER=(HLQ.ORBIX62.PROCLIB)
//      INCLUDE MEMBER=(ORXVARS)
//      SET CICSHLQ=CICSTS13
//*
/* Prepare the Orbix CICS Adapter
/*
/* Make the following changes before running this JCL:
/*
/* 1. If you ran DEPLOY1 (or DEPLOYT) to configure in a domain
/*    other than the default, please ensure that dataset
/*    &ORBIXCFG(ORBARGS) has the domain name used by DEPLOY1
/*    (or DEPLOYT).
/*
//PREPARE EXEC PROC=ORXG,
//      PROGRAM=ORXCICSA,
//      LOADLIB=&CICSHLQ..SDFHEXCI,
//      PPARM='prepare -publish_to_file=DD:ITCONFIG(IORCICSA) '
//TYPEINFO DD DUMMY
//MFAMAPS DD DUMMY
//ORBARGS DD DSN=&ORBIXCFG(ORBARGS),DISP=SHR
/*
/* Update configuration domain with CICS Adapter's IOR
/*
//ITCFG1 EXEC ORXADMIN
//SYSIN DD *
      variable modify \
        -type string \
        -value --from_file:3 //DD:ITCONFIG(IORCICSA) \
        LOCAL_MFA_CICS_REFERENCE
/*
//ORBARGS DD DSN=&ORBIXCFG(ORBARGS),DISP=SHR
/*
/* Update configuration domain with CICSRAW IOR
/*
```

```
//ITCFG2 EXEC ORXADMIN
//SYSIN DD *
    variable modify \
        -type string \
        -value --from_file:6 //DD:ITCONFIG(IORCICSA) \
        initial_references:IT_MFA_CICSRAW:reference
/*
//ORBARGS DD DSN=&ORBIXCFG(ORBARGS),DISP=SHR
```

Location of CICS server adapter IORs

When complete, the IORs for the server adapter should be in `orbixhlq.CONFIG(IORCICSA)`. The file contains two IORs.

The IT_MFA IOR

One IOR is for `IT_MFA`. This is the IOR for the server adapter `MappingGateway` interface. The `orbixhlq.JCLLIB(PREPCICA)` JCL copies this IOR into the `LOCAL_MFA_CICS_REFERENCE` configuration item, which is found in the `orbixhlq.CONFIG` PDS, in the member that corresponds to your configuration domain name. (The default configuration domain name is `DEFAULT@.`) This IOR is used by `itadmin` to contact the correct server adapter. Refer to [“Using the MappingGateway Interface” on page 234](#) for more details.

The IT_MFA_CICSRAW IOR

The other IOR is for `IT_MFA_CICSRAW`. This IOR is only produced if the EXCI plug-in is used. It is not produced if the APPC plug-in is used. This is the IOR for the CICS server adapter `cicsraw` interface. This IOR should be made available to client programs of the server adapter that want to use the `cicsraw` interface. Refer to the [“The CICS Server Adapter cicsraw Interface” on page 26](#) for more details.

Sample configuration file

The following is an extract from a working configuration file for you to compare your file with.

Note: The position of the first quote is moved to the next line, directly preceding the start of the IOR. (Ellipses denote text omitted for the sake of brevity.)

```

...
LOCAL_MFA_CICS_REFERENCE =
    "IOR:000000000000002549444c3a696f6e612e636f6d2f49545f/
4c6f636174696f6e2f4c6f6361746f723a312e30000000000000001000000/
0000007e00010200000000056a756e6f00003a990000000253a3e0233311752/
5706c69636174656453696e676c65746f6e504f410007d3968381a39699000/
000000003000000010000001c00000001002041700000001000100010001/
10000000001000101090000001a0000000401000000000000600000006000/
0000001c";
...

```

Running the CICS server adapter on z/OS UNIX System Services

You can also run the CICS server adapter in prepare mode from the UNIX System Services prompt. The command is as follows:

```
$ itcicsa -ORBname iona_services.cicsa prepare
```

The two IORs for `IT_MFA` and `IT_MFA_CICSRW` are then displayed on the console. You can copy them to the appropriate places as described above. However, in general, it might be easier to obtain the `IT_MFA` IOR, using the `orbixhlq.JCLLIB (PREPCICA) JCL`. This is because it automatically copies the IOR into the PDS-based configuration file.

Starting the Server Adapter

Overview

This section describes how to start the CICS server adapter. It discusses the following topics:

- [Starting the server adapter on native z/OS](#)
 - [Starting the server adapter on z/OS UNIX System Services](#)
 - [Adapter logging information](#)
-

Starting the server adapter on native z/OS

In a native z/OS environment, you can start the CICS server adapter in any of the following ways:

- As a batch job.
- Using a TSO command.
- As a started task (by converting the batch job into a started task).

The default CICS server adapter is the server adapter whose configuration is defined directly in the `iona_services.cicsa` scope, and not in some sub-scope of this. The following is sample JCL to run the default CICS server adapter:

```
//CICSA JOB ( ),
//      CLASS=A,
//      MSGCLASS=X,
//      MSGLEVEL=(1,1),
//      NOTIFY=&SYSUID,
//      REGION=0M,
//      TIME=1440
//*
//      JCLLIB ORDER=(HLQ.ORBIX62.PROCLIB)
//      INCLUDE MEMBER=(ORXVARS)
//      SET CICSHLQ=CICSTS13
//*
//* Run the Orbix CICS Adapter
//*
//* Make the following changes before running this JCL:
//*
```

```

/* 1. Change 'SET DOMAIN='DEFAULT@' to your configuration
/*   domain name.
/*
//           SET DOMAIN='DEFAULT@'
/*
//GO EXEC PROC=ORXG,
//   PROGRAM=ORXCICSA,
//   LOADLIB=&CICSHLQ..SDFHEXCI,
//   PPARM='run'
//MFAMAPS DD DUMMY
//TYPEINFO DD DUMMY
//ITDOMAIN DD DSN=&ORBIXCFG(&DOMAIN),DISP=SHR

```

Starting the server adapter on z/OS UNIX System Services

On z/OS UNIX System Services, you can start the CICS server adapter from the shell. The command to run the default CICS server adapter is similar to the following if you have an `initial_references:IT_MFA:reference` entry in the root scope (that is, not inside any `{}` brackets) of your configuration file:

```
$ itcicsa
```

The command to run extra server adapters is similar to the following:

```
$ itcicsa -ORBname iona_services.cicsa.gateway2
```

Refer to [“Running Multiple Server Adapters Simultaneously” on page 232](#) for more details on running multiple server adapters.

Adapter logging information

When the adapter is started, if a sufficient logging level is enabled, some basic information is displayed on how the particular adapter is configured, including which region it is going to connect with. If client principal support is not enabled, the logged information includes the user ID under which the server adapter is running. This is normally the TSO/E user ID running the adapter. However, if a `USERIDALLIASTABLE` is in use in z/OS UNIX System Services, the user ID that is displayed instead is the alias associated with the user ID. Regardless of which user ID (that is, TSO/E or alias) is displayed, for z/OS it is the same user ID, so it does not affect the functionality of the server adapter.

Stopping the CICS Server Adapter

Overview

This section describes how to stop the CICS server adapter. It discusses the following topics:

- [Stopping the adapter via the admin interface](#)
- [Stopping the adapter on native z/OS](#)
- [Stopping the adapter on z/OS UNIX System Services](#)

Stopping the adapter via the admin interface

The IONA administrative interface is used to configure and manage Orbix installations. This interface can be invoked via the `ORXADMIN JCL` on z/OS or the `itadmin` shell command on z/OS UNIX System Services. As with the other IONA services, you can stop the CICS server adapter by issuing an `admin stop` command that uses the appropriate admin plug-in (in this case, the `mfa` plug-in). For example, the format of the command is as follows on z/OS UNIX System Services:

```
% itadmin mfa stop
```

This instructs the adapter to shut down.

Stopping the adapter on native z/OS

To stop a CICS server adapter job on native z/OS, issue the `STOP (P)` operator command from the console.

Stopping the adapter on z/OS UNIX System Services

To stop a CICS server adapter process on z/OS UNIX System Services, use the `kill` command or, if the adapter is running in an active rlogin shell, press **Ctrl-C**.

Running Multiple Server Adapters Simultaneously

Overview

This section describes how to run multiple server adapters simultaneously. It discusses the following topics:

- [Running multiple server adapters simultaneously](#)
- [Using itadmin on z/OS UNIX System Services](#)

Running multiple server adapters simultaneously

To run multiple CICS server adapters perform the following steps:

Step	Action
1	Set up a configuration scope for each server adapter (for example, the <code>gateway2</code> scope) in the partial configuration file. (Refer to the example in “A CICS Server Adapter Sample Configuration” on page 42.)
2	Set up a corresponding configuration scope for usage with the <code>admin</code> utility. For example, add a <code>gateway2</code> sub-scope to the <code>iona_utilities.cicsa</code> scope in the configuration file, and add the following configuration setting under it: <code>initial_references:IT_MFA:reference=%{LOCAL_MFA_CICS_REFERENCE2}</code>
3	Specify a unique <code>cicsa:poa_prefix</code> variable for each server adapter if you are using the locator (indirect persistent). This is a good idea anyway, even for direct persistent server adapters, because the IORs are easier to distinguish when examined with the <code>iorump</code> utility.
4	Set the unique port number.

Step	Action
5	<p>Get the initial reference for each adapter.</p> <p>On native z/OS, change the CICS server adapter prepare JCL to use the new <code>ORBname</code>, and replace the <code>LOCAL</code> variable with the new <code>LOCAL_MFA_CICS_REFERENCE2</code> variable.</p> <p>On z/OS UNIX System Services, enter the following command to obtain the IOR:</p> <pre>\$ itcicsa -ORBname iona_services.cicsa.gateway2 prepare</pre> <p>Enter the following command on z/OS UNIX System Services, to add the new reference to the configuration file:</p> <pre>\$ itadmin variable create -value IOR:00000...0 LOCAL_MFA_CICS_REFERENCE2</pre>
6	<p>Ensure that each server adapter has:</p> <ul style="list-style-type: none"> • A unique mapping file. • A unique IFR signature cache file, if one is being used. • A unique type_info store, if one is being used. • A unique pipe member name, if EXCI is being used. • A unique resource manager name, if RRS is being used.

Using itadmin on z/OS UNIX System Services

It might be useful to run in shell mode, so that you do not have to type the long `ORBname` in the JCL's `itadmin` parameter. To run `itadmin` on z/OS UNIX System Services:

```
$ itadmin -ORBname iona_utilities.cicsa.gateway2
% mfa list
% mfa resolve .....
```

Note: When using JCL to issue `itadmin` commands on native z/OS, include the full `ORBname` in the JCL's `itadmin` parameter.

Using the MappingGateway Interface

Overview

The `MappingGateway` interface is used to control a running CICS server adapter. It discusses the following topics:

- [Uses of the MappingGateway interface](#)
 - [Access to the MappingGateway interface](#)
 - [Selecting a specific server adapter](#)
-

Uses of the MappingGateway interface

You can use the `MappingGateway` interface to list the transaction mappings that the server supports, to add or delete individual interfaces and operations, or to alter the transaction to which an operation is mapped. You can use it to read a new mapping file, or write existing mappings to a new file.

Additionally, the `MappingGateway` interface provides the means by which IIO clients can invoke on the exported interfaces. Using the `resolve` operation, an IOR can be retrieved for any exported interface. This IOR can then be used directly by IIO clients, or registered with an OrbixNames server as a way of *publishing* the availability of the interface.

Access to the MappingGateway interface

The `MappingGateway` interface is provided both via the `itadmin` interface and as an IDL interface. The IDL for the `MappingGateway` interface is provided with the other IDL in the installation and can be used by client applications to invoke operations on the `MappingGateway` interface.

Access to the `MappingGateway` interface, using `itadmin`, is provided as a plug-in. This plug-in is selected with the `mfa` keyword. This `itadmin mfa` plug-in is an IONA-supplied client of the `MappingGateway` interface and is provided to make it easier to access the `MappingGateway` interface. For example, to obtain a list of all the operations provided by the `itadmin mfa` plug-in, issue the following command (from the UNIX System Services shell or via JCL on native z/OS):

```
$ itadmin mfa -help
```

The output looks as follows:

```
mfa list
  add      -interface <name> -operation <name> <mapped value>
  change  -interface <name> -operation <name> <mapped value>
  delete  -interface <name> -operation <name>
  resolve <interface name>
  refresh [-operation <name>] <interface name>
  reload
  save    [<mapping_file name>]
  switch <mapping_file name>
  stats
  resetcon
  stop
```

Items shown in angle brackets (<...>) must be supplied and items shown in square brackets ([...]) are optional. Module names form part of the interface name and are separated from the interface name with a / character.

The parameter after `mfa` specifies the operation to be invoked. The options are:

<code>list</code>	This prints a list of the (interface, operation, and name) mappings that the CICS server adapter currently supports.
<code>add</code>	This allows you to add a new mapping.
<code>change</code>	This allows you to change the transaction to which an existing operation is mapped.
<code>delete</code>	This allows you to get the CICS server adapter to stop exporting a particular operation.
<code>resolve</code>	This prints a stringified IOR for the object in the server adapter that supports the specified interface. This IOR string can then be given to clients of that interface, or stored in an OrbixNames server. The IOR produced contains the TCP/IP port number for the locator if the CICS server adapter is running with direct persistence set to <code>no</code> ; otherwise, it contains the CICS server adapter's port number.
<code>refresh</code>	This causes the CICS server adapter to obtain up-to-date type information for the specified operation. If you omit the operation argument, all operations being mapped in the specified interface are refreshed.

<code>reload</code>	This causes the CICS server adapter to reload the list of mappings from its mapping file.
<code>save</code>	This causes the CICS server adapter to save its current mappings to either its current mapping file or to a filename you provide.
<code>switch</code>	This causes the CICS server adapter to switch over to a new mapping file, and to export only the mappings contained within it.
<code>stats</code>	Displays some statistical information on the running server adapter. Information includes the current time according to the server adapter, the pending request queue length, the total number of worker threads, worker threads currently active, total number of requests processed by the server adapter since start-up, and the server adapter start-up time.
<code>resetcon</code>	This command has no effect for the CICS server adapter.
<code>stop</code>	Instructs the CICS server adapter to shut down.

Note: The `add`, `change`, and `delete` operations only update the CICS server adapter internal information, unless a `save` operation is issued, in which case the new details are written to the server adapter mapping file.

Selecting a specific server adapter

To select a specific server adapter, provide the `ORBname` for the server adapter on a request. For example, to obtain the IOR for the `SimpleObject` interface, use the following command:

```
itadmin -ORBname iona_utilities.cicsa mfa resolve
Simple/SimpleObject
```

Locating CICS Server Adapter Objects Using itmfaloc

Overview

The CICS server adapter maintains object references that identify CORBA server programs running in CICS. A client must obtain an appropriate object reference to access the target server. The `itmfaloc` URL resolver plug-in supplied with your Orbix Mainframe installation facilitates and simplifies this task.¹

This section discusses the following topics:

- [Locating CICS servers using IORs](#)
- [Locating objects using itmfaloc](#)
- [Format of an itmfaloc URL](#)
- [What happens when itmfaloc is used](#)
- [Example of using itmfaloc](#)

Locating CICS servers using IORs

One way of obtaining an object reference for a target server, managed by the CICS server adapter, is to retrieve the IOR via the `itadmin` utility. This calls the `resolve()` method on the server adapter's `MappingGateway` interface and returns a stringified IOR. For example, to retrieve an IOR for the `SimpleObject` IDL interface, issue the following command:

```
itadmin mfa resolve Simple/SimpleObject
```

After it has been retrieved, the IOR can be distributed to the client and used to invoke on the target server running inside CICS.

Locating objects using itmfaloc

In some cases, the use of `itadmin` and the need to persist stringified IORs is not very manageable, and thus a more dynamic approach is desirable. The `itmfaloc` resolver is designed to provide an alternative approach. It follows a similar scheme to that of the `corbaloc` URL technique. (Refer to the *CORBA Programmer's Guide, C++* for more information.)

1. This plug-in is not yet available on other Orbix platforms.

In this way, the Orbix CORBA client can specify a very simple URL format which identifies the target service required. This text string can therefore be used programmatically in place of the rather cumbersome stringified IOR representation.

Format of an itmfaloc URL

An itmfaloc URL is a string of the format:

```
itmfaloc:<InterfaceName>
```

In the preceding example, *<InterfaceName>* represents the fully scoped name of the IDL interface implemented by the target CICS server, as specified in the server adapter mapping file.

What happens when itmfaloc is used

When an itmfaloc URL is used in place of an IOR, the Orbix client application contacts the server adapter to obtain an object reference for the desired CICS server. The itmfaloc URL string only encodes the interface name, not the server adapter's location. To establish the initial connection to the server adapter, the `IT_MFA:initial_references` configuration item is used.

If multiple server adapters are deployed, it is imperative that the client application specifies the correct `IT_MFA:initial_references` setting, to talk to the correct CICS server adapter. This can be achieved by specifying the appropriate ORBname which represents the particular configuration scope; for example, `-ORBname iona_utilities.cicsa`.

If the client application successfully connects to the server adapter, it then calls the `resolve()` operation on the `MappingGateway` object reference, thus retrieving an object reference for the target server managed by the CICS server adapter.

Example of using itmfaloc

The simple demonstration client code that is shipped with Orbix uses a file-based mechanism to access the target server's stringified IOR. If the target server resides in CICS, an alternative approach is to specify an itmfaloc URL string in the string-to-object call:

```
itmfaloc:Simple/SimpleObject
```

The relevant Orbix APIs are:

- `str2obj` (PL/I)
- `STRTOOBJ` (COBOL)
- `string_to_object()` (C++)

Adding a Portable Interceptor to the CICS Server Adapter

Overview

This section describes how to add a portable interceptor (or multiple interceptors) to the server adapter. This can be used to perform the usual functions available in portable interceptors. Refer to the *CORBA Programmer's Reference, C++* and *CORBA Programmer's Guide, C++* for more details on portable interceptors. Additionally, a portable interceptor can be used to manipulate the client principal that the CICS server adapter receives from the client. It can also be used to inspect the operation arguments sent in the request.

In this section

This section discusses the following topics:

Developing the Portable Interceptor	page 241
Compiling the Portable Interceptor	page 246
Loading the Portable Interceptor into the CICS Server Adapter	page 248

Developing the Portable Interceptor

Overview

A portable interceptor should be developed as described in the *CORBA Programmer's Guide, C++*. For the server adapter, only server-side interceptors are of interest, because the CICS server adapter is a CORBA server.

This subsection discusses the following topics:

- [Server adapter portable interceptor sample locations](#)
 - [Contents of the ORB plug-in implementation](#)
 - [Contents of the ORB initializer implementation](#)
 - [Contents of the server interceptor implementation](#)
 - [Server interceptor sample code](#)
 - [Server interceptor sample code explanation](#)
-

Server adapter portable interceptor sample locations

An example of a portable interceptor framework for use in the server adapter is provided in `orbixhlq.DEMOS.CPP.SRC` and `orbixhlq.DEMOS.CPP.H`. The header file members are `ORBINITI` and `SRVINTRC`. The source file members are `PLUGIN`, `ORBINITI`, and `SRVINTRC`.

For a z/OS UNIX System Services installation, the demonstration is located in `$IT_PRODUCT_DIR/asp/6.0/demos/corba/pdk/security_pi`. The header files are located in `orb_initializer_impl.h` and `server_interceptor_impl.h`. The implementation files are located in `plugin.cxx`, `orb_initializer_impl.cxx` and `server_interceptor_impl.cxx`.

The portable interceptor is packaged as a standard ORB plug-in, to enable it to be loaded by an existing Orbix server (in this case, the CICS server adapter).

Contents of the ORB plug-in implementation

The ORB plug-in implementation contains code to register this DLL as an ORB plug-in. The ORB plug-in implementation also contains code in its `ORB_init()` method to register the portable interceptor's ORB initializer object with the ORB. The ORB plug-in mechanism is used here to enable the server adapter to load this DLL when the adapter is started. (See

[“Loading the Portable Interceptor into the CICS Server Adapter” on page 248.](#)) Sample source is provided in the `PLUGIN` member on z/OS and in the `plugin.cxx` file on z/OS UNIX System Services.

Contents of the ORB initializer implementation

The ORB initializer implementation contains code to register the server request interceptor with the ORB. Refer to the *CORBA Programmer's Guide, C++* for details on how to implement an ORB initializer. The initializer is registered in the `IT_Security_Plugin` class (that is, the ORB plug-in implementation). Sample source is provided in the `ORBINITI` members on z/OS, and in the `orb_initializer.h` and `orb_initializer.cxx` files on z/OS UNIX System Services.

Contents of the server interceptor implementation

The server request interceptor implementation illustrates how you can intercept the incoming CORBA request and check the following:

- *Principal*—You can inspect the GIOP principal value, and potentially modify this principal value before it is subsequently used by the server adapter. (See [“Activating Client Principal Support” on page 103](#) for more details.) This is done by invoking on the GIOP `Current` API.
- *Arguments*—You can inspect the operation arguments that have been sent in the request. This is done by invoking on the server adapter's `IT_MFA Current` API.

To achieve this functionality, the interceptor only implements the `receive_request()` interception point. This is the point at which both the principal and operation arguments has been read in from the GIOP request message. Sample source is available in the `SRVINTRC` dataset members on z/OS, and in the `server_interceptor_impl.h` and `server_interceptor_impl.cxx` files on z/OS UNIX System Services.

The IT_MFA Current API

The `Current` API is specific to the server adapter and enables PDK application-level code to access the operation arguments in the form of a sequence of octets. The IDL is located in your Orbix Mainframe installation at `orbixhlq.INCLUDE.ORBIX@PD.IDL(MFA@CUR)` on z/OS or at `install-dir/asp/6.x/idl/orbix_pdk/mfa_current.idl` on z/OS UNIX System Services.

The `Current` API can only be used to inspect arguments for a "mapped" operation. This means that requests targeting the `cicsraw` interface or the `MappingGateway` interface cause a `CORBA::BAD_INV_ORDER` system exception

to be thrown. A `CORBA::BAD_INV_ORDER` exception is also thrown if the `Current` API is invoked from within an unsuitable interception point. The `request_message_body()` operation must be called in the `receive_request()` interception point. The `reply_body_length()` operation, which returns the length of the reply returned from CICS, must be called from the `send_reply()` interception point.

Server interceptor sample code

The `receive_request()` method makes calls to inspect the GIOF principal and the operation arguments (if appropriate). The following code example focuses on the GIOF principal checking:

Example 11: Sample Server Interceptor code (Sheet 1 of 2)

```

void
Demo_ServerInterceptorImpl::inspect_giop_principal(
    PortableInterceptor::ServerRequestInfo_ptr ri
) IT_THROW_DECL((
    CORBA::SystemException,
    PortableInterceptor::ForwardRequest
))
{
1  CORBA::OctetSeq_var received_val_binary =
    m_current->received_principal();
2  if (received_val_binary->length() != 0)
    {
3     if (received_val_binary[received_val_binary->length()-1]
        == '\0')
        {
            cout << "Received a string principal in PI" << endl;
        }
        else
        {
            cout << "Received a binary principal in PI" << endl;
            return;
        }
    }
    else
    {
        cout << "Did not received any principal!" << endl;
        return;
    }
}

```

Example 11: *Sample Server Interceptor code (Sheet 2 of 2)*

```
4 // Show the principal value
CORBA::String_var received_val =
    m_current->received_principal_as_string();

    if (strlen(received_val.in()) != 0)
    {
        cout << "Received principal string in PI "
            << received_val.in() << endl;
5 // This is very contrived, but shows how to change a principal
        cout << "If principal is JOHN, change to PETER" << endl;
        if (strcmp(received_val.in(),"JOHN") == 0)
        {
            char* new_user = "PETER";
6            m_current->change_received_principal_as_string(new_user);
        }
    }
    else
    {
        cout << "Did not received any principal!" << endl;
    }
}
```

Server interceptor sample code explanation

The sample server interceptor code can be explained as follows:

- 1 Obtain the principal in binary format. In binary format, the principal value does not undergo ASCII-to-EBCDIC conversion.
- 2 Check if a principal has been received.
- 3 Check if the principal value ends in a null terminator, which indicates that it is probably a string. (This depends on the conventions agreed with the client application.)
- 4 Because the interceptor returns if the principal value is not a string, it now re-obtains the principal value as a string with ASCII-to-EBCDIC conversion taking place.
- 5 In this example, it checks if the principal is `JOHN`.
If the principal is `JOHN`, it is changed to `PETER`. This is just an example to show how to change a principal. Production applications probably have more complex rules for modifying principals.
- 6 Other interceptor points can also be implemented. For example, the `send_exception()` interceptor point can be implemented if tracking or logging of exceptions is desired. The `receive_request_service_contexts()` interceptor can be implemented if access to additional service contexts is required. Additionally, `send_reply()` can be used to check the length of the reply message, using the `reply_body_length()` method from the `IT_MFA` Current API.

Compiling the Portable Interceptor

Overview

This subsection outlines the build information used to compile the portable interceptor demonstration. It also provides information about the naming of the compiled DLL, and the location of the readme files that provide additional information about compiling the portable interceptor.

This section discusses the following topics:

- [Compiling on native z/OS](#)
- [Compiling on z/OS UNIX System Services](#)
- [Specifying the correct DLL name when loading the portable interceptor](#)
- [Location of additional information for compiling the portable interceptor](#)

Compiling on native z/OS

Sample JCL to compile the portable interceptor can be found in `orbixhlq.DEMOS.CPP.BLD.JCLLIB(ADTPICL)`. This compiles the two sample source files and links them into a DLL called `SECPI1`.

Compiling on z/OS UNIX System Services

The `$IT_PRODUCT_DIR/asp/6.2/demos/corba/pdk/security_pi` directory contains a makefile that is used to build the `SECPI1` DLL on z/OS UNIX System Services.

Specifying the correct DLL name when loading the portable interceptor

The DLL name, `SECPI1`, has been chosen for this example, because it is a valid name in both a native z/OS and z/OS UNIX System Services environment. Any valid DLL name can be used for your target deployment environment. The correct DLL name must then be specified when selecting the portable interceptor that is to be loaded into the server adapter. Refer to [“Loading the Portable Interceptor into the CICS Server Adapter” on page 248](#) for more details.

Location of additional information for compiling the portable interceptor

On native z/OS, the `ADTPI` member in `orbixhlq.DEMOS.CPP.README` also provides a description of how to compile the portable interceptor. You can refer to this for additional information.

On z/OS UNIX System Services, similar information tailored to compiling the portable interceptor is provided in `$IT_PRODUCT_DIR/asp/6.2/demos/corba/pdk/security_pi/README_CXX.txt`.

Loading the Portable Interceptor into the CICS Server Adapter

Overview

This subsection describes how the portable interceptor is loaded into the CICS server adapter. It discusses the following topics:

- [Loading the portable interceptor on native z/OS](#)
 - [Loading the portable interceptor on z/OS UNIX System Services](#)
 - [Setting related configuration items](#)
 - [Sample CICS server adapter configuration scope](#)
-

Loading the portable interceptor on native z/OS

Add the PDS containing the portable interceptor DLL to the STEPLIB for the CICS server adapter. On native z/OS, this can be done by updating the JCL used to run the server adapter. For example, add a `LOADLIB` value as follows:

```
//GO EXEC PROC=ORXG,
// PROGRAM=ORXCICSA,
// LOADLIB=&ORBIX..DEMOS.CPP.LOADLIB,
// PPARM='run'
```

Note: If the `LOADLIB` symbolic is already in use, you might wish to update the `ORXG` procedure and add the PDS that contains the portable interceptor into the STEPLIB concatenation.

Loading the portable interceptor on z/OS UNIX System Services

If the server adapter is run from z/OS UNIX System Services, and the portable interceptor was built using JCL on native z/OS (that is, the `SECPI1` DLL resides in a PDS), add the PDS to the `STEPLIB` environment variable. The following is an example of how to do this, where `IT_PRODUCT_HLQ` is set to the relevant Orbix HLQ install area:

```
export STEPLIB=$IT_PRODUCT_HLQ.DEMOS.CPP.LOADLIB:$STEPLIB
```

If the server adapter is run from z/OS UNIX System Services, and the portable interceptor was built using a makefile on z/OS UNIX System Services, so the `SECPI1` DLL resides in a UNIX System Services directory, add the directory that contains the `SECPI1` DLL to the `LIBPATH` environment

variable. The following is an example of how to do this, where *IT_PRODUCT_DIR* is set to the relevant Orbix install area for z/OS UNIX System Services:

```
export LIBPATH=$IT_PRODUCT_DIR/asp/6.2/demos/corba/pdk/
security_pi:$LIBPATH
```

Setting related configuration items

The following configuration items must be set to load the plug-in:

`orb_plugins`

The list must include the `demo_sec` ORB plug-in, which is the name that was used in the ORB plug-in demonstration code. This plug-in must appear before the `portable_interceptor` plug-in in the `orb_plugins` list.

The list must also include the `portable_interceptor` plug-in, to allow for portable interceptor support to be activated.

`binding:server_binding_list`

The name of the server request interceptor must be added to this list, to allow it to gain control when a server request is being processed. For the purposes of this example, add the `DemoPI` interceptor.

`plugins:demo_sec:shlib_name`

Specifies the name of the ORB plug-in library, without the version suffix.

```
plugins:demo_sec:shlib_version
```

Specifies the version number of the ORB plug-in library.

Note: On z/OS, unlike on other platforms, a particular ORB plug-in DLL name is resolved from the Orbix configuration simply by appending the `shlib_version` to the `shlib_name`.

Sample CICS server adapter configuration scope

For example, the following can be added to the CICS server adapter's configuration scope:

```
orb_plugins = ["iiop_profile", "giop", "iiop",
              "local_log_stream", "ots", "demo_sec",
              "portable_interceptor"];
binding:server_binding_list = ["DemoPI"];
plugins:demo_sec:shlib_name = "SECPI";
plugins:demo_sec:shlib_version = "1";
```

When the CICS server adapter is then started, the portable interceptor should be loaded and included in the server-side communication bindings.

Enabling the GIOP Request Logger Interceptor

Overview

The request logger plug-in uses the interceptor approach to log accounting information for each request and reply message. The request logger uses the ORB's event log to perform the logging.

Format of log messages

The log messages take the following format:

```
Request message: [REQUEST], peer IP address, peer port number,
principal, operation, program name
Reply message: [REPLY], peer IP address, peer port number,
principal, operation, program name, reply status
```

The components of the preceding log messages can be explained as follows:

<i>principal</i>	This is the user ID as specified in the incoming GIOP request. <code>NO_PRINCIPAL</code> is displayed if the principal was not sent by the client.
<i>program name</i>	This field is specific to the <code>cicsraw</code> interface that is exposed by the server adapter (see “The CICS Server Adapter cicsraw Interface” on page 26). It refers to the program name as passed in the first argument of the <code>run_program</code> operations. For all other interfaces/operations, this field does not appear.
<i>reply status</i>	This indicates the success status of the invocation. Values can be: <ul style="list-style-type: none"> <code>NO_EXCEPTION</code>—success: reply data is being sent back to the client. <code>SYSTEM_EXCEPTION</code>—failure: a CORBA system exception is being thrown. <code>USER_EXCEPTION</code>—failure: a CORBA user exception is being thrown.

Sample log output

The following is an example of some log output:

```
Mon, 01 May 2006 14:38:52.0000000 [thehost:CICSA,A=0040]
(IT_REQUEST_LOGGER:202) I - [REQUEST] 10.2.100.8, 1408,
john DOE, run_transaction(), PART
Mon, 01 May 2006 14:38:53.0000000 [thehost:CICSA,A=0040]
(IT_REQUEST_LOGGER:202) I - [REPLY] 10.2.100.8, 1408,
john DOE, run_transaction(), PART, NO_EXCEPTION
```

Configuration

To enable the request logger, the following configuration items must be modified:

<code>orb_plugins</code>	The <code>request_logger</code> plug-in must be added to the <code>orb_plugins</code> list. Also, ensure that this list includes a log stream plug-in (for example, the <code>local_log_stream</code>).
<code>binding:server_binding_list</code>	The name of the server request interceptor must appear in the list of allowable server bindings. The interceptor is also called "request_logger".
<code>event_log:filters</code>	The request logger event subsystem can be enabled by adding "IT_REQUEST_LOGGER=*" to the list of filters. This indicates that all event log messages from this plug-in are to be enabled.

Sample configuration scope

For example, the following can be added to the CICS server adapter's configuration scope:

```
orb_plugins = ["local_log_stream", "iiop_profile",
              "giop", "iiop", "request_logger"];
binding:server_binding_list = ["request_logger"];
event_log:filters = ["IT_REQUEST_LOGGER=*",
                    "IT_MFA=INFO_HI+WARN+ERROR+FATAL"];
```

Also ensure that the following global variables are specified in the `ORXINTRL` configuration file:

- `plugins:request_logger:shlib_name = "ORXRLOG";`
- `plugins:request_logger:shlib_version = "5";`

Gathering Accounting Information in the Server Adapter

Overview

This section describes how to add a DLL to the CICS server adapter which can gather and log accounting type information. This is done in the form of a user replaceable DLL. A sample DLL is provided, which can be modified to collate results and write them to the desired location; for example, some kind of log file.

In this section

This section discusses the following topics:

Developing the Accounting DLL	page 254
Compiling the Accounting DLL	page 258
Loading the Accounting DLL into the Server Adapter	page 259

Developing the Accounting DLL

Overview

The accounting DLL consists of a call to the function `IT_MFA_display_account_information()` for mapped requests, and a call to the function `IT_MFA_display_raw_interface_account_information()` for `cicsraw` requests, after each CICS server adapter request has been completed. You can implement your own version of these functions and replace the DLL called `ORXACCT1`, to gather the customized accounting information.

This section discusses the following topics:

- [IT_MFA_display_account_information\(\) parameters](#)
 - [Sample use of IT_MFA_display_account_information\(\)](#)
 - [Location of sample source code](#)
-

IT_MFA_display_account_information() parameters

The parameters for the function contain the following information:

Parameter	Description
<code>interface</code>	This is the interface name of the request.
<code>operation</code>	This is the operation name of the request.
<code>mapped_name</code>	This is the transaction or program name that is invoked in CICS.
<code>request_length</code>	This is the total length of inbound data received from TCP/IP, excluding the 12-byte fixed GIOP header.
<code>reply_length</code>	This is the total length of outbound data sent back via TCP/IP, excluding the 12-byte fixed GIOP header.
<code>principal</code>	The Client principal, if available; otherwise, an empty string.
<code>local_arglist</code>	This is an NVList of all the arguments for the request. This NVList is in the state after the reply has been transmitted back to the client application, so only limited data is available in it.

Parameter	Description
<code>dynany_set</code>	Indicates if the first argument has been saved in a dynamic <code>any</code> when the request was received from the client. This dynamic <code>any</code> is the next parameter. Saving the argument has to be activated via configuration.
<code>da</code>	First argument, if saved. Refer to the chapter on Any's and Dynamic Any's in the <i>CORBA Programmer's Guide, C++</i> for details on how to access the data contained in this parameter.
<code>orb</code>	Pointer to the CICS server adapter ORB, if needed, for example, to call <code>resolve_initial_references()</code> to obtain a current object.

**Sample use of
IT_MFA_display_account_inform
ation()**

Here is an example of what can be done in the function.

Example 12: *Sample use of IT_MFA_display_account_information() (Sheet 1 of 2)*

```
#include <it_cal/iostream.h>
#include <it_cal/fstream.h>
#include <string.h>
#include <it_mfa/account.h>

IT_USING_NAMESPACE_STD
void
IT_MFA_display_account_information(
    const char* interface,
    const char* operation,
    const char* mapped_name,
    CORBA::Long request_length,
    CORBA::Long reply_length,
    const char* principal,
    CORBA::NVList_ptr local_arglist,
    CORBA::Boolean dynany_set,
    DynamicAny::DynAny_ptr da,
    CORBA::ORB_ptr orb
)
{
    cout << "Accounting information: " << endl;
    cout << " Interface:  " << interface << endl;
    cout << " Operation:  " << operation << endl;
    cout << " Tran:       " << mapped_name << endl;
    cout << " Request len: " << request_length << endl;
    cout << " Reply len:  " << reply_length << endl;
    cout << " Principal:  " << principal << endl;
}
```


Example 12: *Sample use of `IT_MFA_display_account_information()` (Sheet 2 of 2)*

```

// Gather type information from the NVList
cout << " Number of Arguments: " << local_arglist->count() <<
endl;

// Display information from the first parameter
if (dynany_set == IT_TRUE)
{
    CORBA::TypeCode_ptr type = da->type();

    cout << " Kind: " << type->kind() << endl;
    cout << " Id: " << type->id() << endl;
    if ((type->kind() == CORBA::tk_struct))
    {
        cout << " Member count: " << type->member_count() <<
endl;
        for (int ii=0; ii < type->member_count(); ii++)
        {
            CORBA::TypeCode_ptr type1 = type->member_type(ii);
            cout << " Kind of member: " << type1->kind() <<
endl;
        }
    }
    cout << endl;
}
}

```

Location of sample source code

The source code for this sample function is contained in `orbixhlq.DEMOS.CPP.SRC(ACCOUNT)`. This example can be used as a basis for a function which logs the request accounting information in the desired format.

Compiling the Accounting DLL

Overview

The `IT_MFA_display_account_information()` and `IT_MFA_display_raw_interface_account_information()` functions must be compiled into a C++ DLL, called `ORXACCT1`. This is the DLL name which the CICS server adapter attempts to load if it is configured to produce accounting information.

This section discusses the following topics:

- [Location of sample JCL to compile `IT_MFA_display_account_information\(\)`](#)
- [Location of additional information for compiling `IT_MFA_display_account_information\(\)`](#)

Location of sample JCL to compile `IT_MFA_display_account_information()`

Sample JCL to compile the DLL can be found in `orbixh1q.DEMOS.CPP.BUILD.JCLLIB (ACCTCL)`.

Location of additional information for compiling `IT_MFA_display_account_information()`

The `orbixh1q.DEMOS.CPP.README (ACCOUNT)` file also provides a description of how to compile the DLL, which can be referred to for additional information.

Loading the Accounting DLL into the Server Adapter

Overview

This section describes how the accounting DLL is loaded into the CICS server adapter. It discusses the following topics:

- [Loading the accounting DLL on native z/OS](#)
 - [Loading the accounting DLL on z/OS UNIX System Services](#)
 - [Setting required configuration items](#)
-

Loading the accounting DLL on native z/OS

To load the accounting DLL on native z/OS, add the PDS containing the accounting DLL to the STEPLIB for the CICS server adapter. This can be done by updating the CICS server adapter JCL. For example, add a `LOADLIB` value as follows:

```
//GO EXEC PROC=ORXG,
// PROGRAM=ORXCICSA,
// LOADLIB=&ORBIX..DEMOS.CPP.LOADLIB,
// PPARM='run'
```

Loading the accounting DLL on z/OS UNIX System Services

To load the accounting DLL on z/OS UNIX System Services, add the PDS to the `STEPLIB` environment variable, for example using:

```
export STEPLIB=orbixhlq.DEMOS.CPP.LOADLIB:$STEPLIB
```

In the preceding example, *orbixhlq* represents the relevant high-level qualifier for the PDS.

Setting required configuration items

If the `plugins:cicsa:call_accounting_dll` configuration item is set to "yes", the DLL `ORXACCT1` is loaded by the CICS server adapter, and the function is called after each request.

If the `plugins:cicsa:capture_first_argument_in_dynany` configuration item is set to "yes", the first argument of the request, if it is an input argument, is also preserved and passed to the function.

Exporting Object References at Runtime

Overview

When you start the server adapter it can export object references for the interfaces it supports. These object references relate to the `MappingGateway` interface, the `cicsraw` interface, and (optionally) any other mapped interfaces that have been defined to the server adapter via its mapping file at start-up. The server adapter can export these object references to a file, to the Naming Service, or both.

In this section

This section discusses the following topics:

Configuration Items for Exporting Object References	page 261
Exporting Object References to a File	page 265
Exporting Object References to Naming Service Context	page 266
Exporting Object References to Naming Service Object Group	page 268

Configuration Items for Exporting Object References

Overview

This subsection describes the configuration items that are used to control the export of object references from the server adapter.

Configuration Items Summary

The following table summarizes the configuration items that are used to control the export of object references from the server adapter:

Note: None of these configuration items are included by default in the adapter configuration file. If you want to configure the server adapter to export object references, you must add these configuration items, as appropriate.

<code>plugins:cicsa:object_publishers</code>	This specifies where the adapter can publish its object references. Valid options are "naming_service" to publish object references to the Naming Service, and "filesystem" to publish object references to file. The default value is "".
<code>plugins:cicsa:write_iors_to_file</code>	This item has now been deprecated and is superseded by the <code>plugins:cicsa:object_publisher:filesystem:filename</code> configuration item described next.
<code>plugins:cicsa:object_publisher:filesystem:filename</code>	This supersedes the <code>plugins:cicsa:write_iors_to_file</code> configuration item. It specifies the file that is to be used if you want the adapter to export object references to a file. You can specify the full path to an HFS filename, a PDS member name, or a PDS name as the value for this item. If this configuration item is not included in the adapter's configuration, no object references are exported to file. See "Configuration Example" on page 265 for more details.

<code>plugins:cicsa:write_iors_to_ns_context</code>	This item has now been deprecated and is superceded by the <code>plugins:cicsa:object_publisher:naming_service:context</code> configuration item described next.
<code>plugins:cicsa:object_publisher:naming_service:context</code>	This supercedes the <code>plugins:cicsa:write_iors_to_ns_context</code> configuration item. It specifies the Naming Service context that is to be used if you want the adapter to export object references to a Naming Service context. If this configuration item is not included in the adapter's configuration, no object references are exported to a Naming Service context. If you specify a value of "", the object references are written to the root context of the Naming Service.
<code>plugins:cicsa:object_publisher:naming_service:update_mode</code>	This specifies whether adapter-deployed objects are to be published during start-up only or whether updates are also to be published. Valid options are "startup" and "current". The default value is "startup".
<code>plugins:cicsa:place_iors_in_nested_ns_scopes</code>	This item has now been deprecated and is superceded by the <code>plugins:cicsa:object_publisher:naming_service:nested_scopes</code> configuration item described next.

<pre>plugins:cicsa:object_publisher: naming_service:nested_scopes</pre>	<p>This supercedes the <code>plugins:cicsa:place_iors_in_nested_ns_scopes</code> configuration item. If this configuration item is set to "false", the IOR is stored in the specified scope in the Naming Service. If this configuration item is set to "true", the module name(s) of the interface for the IOR are used to navigate subscopes from the configured scope, with the same names as the module names, and the IOR is then placed within the relevant subscope. The default is "false".</p>
<pre>plugins:cicsa:publish_all_iors</pre>	<p>If this is set to "yes", the object references for the <code>MappingGateway</code> interface, the <code>cicsraw</code> interface, and all interfaces specified in the adapter mapping file are exported. If this is set to "no", only the object references for the <code>MappingGateway</code> and <code>cicsraw</code> interfaces are exported. The default is "no".</p>
<pre>plugins:cicsa:remove_ns_iors _on_shutdown</pre>	<p>If this is set to "yes", the server adapter attempts to unbind the object references from the Naming Service when it shuts down normally (for example, via an operator <code>stop</code> command). The default is "no".</p>
<pre>plugins:cicsa:write_iors_to_ns _group_with_prefix</pre>	<p>This item has now been deprecated and is superceded by the <code>plugins:cicsa:object_publisher:naming_service:group:prefix</code> configuration item described next.</p>

- `plugins:cicsa:object_publisher:` This supercedes the `plugins:cicsa: naming_service:group:prefix` `write_iors_to_ns_group_with_prefix` configuration item. It specifies the prefix that is to be added to each generated name indicating an interface. The specified prefix is attached to the generated name, to specify the object group that is to be used. If a prefix of "" is specified, no prefix is added. If this configuration setting is not present, no object references are exported to any object groups.
- `plugins:cicsa:write_iors_to_ns_group_member_name` This item has now been deprecated and is superceded by the `plugins:cicsa:object_publisher: naming_service:group:member_name` configuration item described next.
- `plugins:cicsa:object_publisher: naming_service:group:member_name` This supercedes the `plugins:cicsa: write_iors_to_ns_group_member_name` configuration item. It specifies the member name that the server adapter is to use in the object group. A unique member name must be specified for each adapter; otherwise, one adapter might end up replacing the object group members of another adapter.

Exporting Object References to a File

Overview

When it comes to the server adapter exporting object references, the simplest option is to have the adapter export them to a file. This subsection provides an example of the configuration settings that are required to enable the export of object references to a file, and the subsequent output produced.

Configuration Example

The following configuration settings indicate that the server adapter should export object references for all the interfaces it supports to the home directory of user1:

```
plugins:cicsa:object_publisher:filesystem:filename =  
    "/home/user1/test.txt";  
plugins:cicsa:publish_all_iors = "yes";
```

Alternatively, the following configuration settings indicate that the server adapter should export object references for only the `MappingGateway` and `cicsraw` interfaces to a data set called `MFAIORS`:

```
plugins:cicsa:object_publisher:filesystem:filename =  
    "DD:MFAIORS";  
plugins:cicsa:publish_all_iors = "no";
```

Example Output

The following is an example of the output produced in the file for the first of the preceding configuration examples, assuming the `simple` demonstration has been added to the adapter mapping file:

```
IT_MFA = IOR:0000000000000027494...  
Simple:SimpleObject = IOR:000000000000001c4944...  
IT_MFA_CICS:cicsraw = IOR:00000000000000254944...
```

Exporting Object References to Naming Service Context

Overview

When it comes to exporting object references to the Naming Service, the server adapter can be configured to export to either a Naming Service context or a Naming Service object group. This subsection provides details about exporting to a Naming Service context.

Note: The simultaneous exporting of object references to both a Naming Service context and a Naming Service object group is not supported.

Prerequisites

If the server adapter is configured to export its object references to a Naming Service context, the following prerequisites apply:

- The Naming Service used must support the `CosNaming::NamingContextExt` interface.
- The initial reference for this Naming Service must be supplied to the adapter either in the adapter's configuration file or via the command line at start-up.

Configuration

The `plugins:cicsa:object_publisher:naming_service:context` configuration item specifies the Naming Service context to which the adapter should export its object references. If a value of "" (that is, an empty context) is specified for this item, the object references are written to the root context. To indicate a nested context, the specified value must take a format of `"context/context/context"`.

Note: The context must exist when the adapter is started. See the *Orbix Administrator's Guide* for details of how to create contexts with `itadmin`, in particular how to create and specify nested Naming Service contexts.

If `plugins:cicsa:remove_ns_iors_on_shutdown` is also specified, the adapter calls `unbind()` on the object references in the Naming Service as part of a normal shut-down operation.

Object ID

The ID for the object bound into the Naming Service is derived from the module and interface name. First, all the module names are used and then the interface name, each separated by a colon. For example, the ID for the interface for the `simple` demonstration is `Simple:SimpleObject`. The `kind` parameter is always left empty. The `MappingGateway` interface uses `IT_MFA` as the ID.

rebind() function

The adapter uses `rebind()` to add the object references to the Naming Service, so any existing object reference with the same name in the same context is replaced.

Example

The following `itadmin` command creates a context called "test" in the Naming Service:

```
itadmin ns newnc test
```

Note: You can also create a context via an equivalent piece of JCL.

The following configuration settings indicate that when the adapter starts, it should write all of its object references to the Naming Service context called `test`, and subsequently remove the object references again on shutting down (during a normal shut-down):

```
plugins:cicsa:object_publisher:naming_service:context = "test";
plugins:cicsa:publish_all_iors = "yes";
plugins:cicsa:remove_ns_iors_on_shutdown = "yes";
```

Exporting Object References to Naming Service Object Group

Overview

When it comes to exporting object references to the Naming Service, the server adapter can be configured to export to either a Naming Service context or a Naming Service object group. This subsection provides details about exporting to a Naming Service object group.

Note: The simultaneous exporting of object references to both a Naming Service context and a Naming Service object group is not supported. See the Orbix *Administrator's Guide* for more details on Naming Service object groups.

Prerequisites

If the server adapter is configured to export its object references to a set of Naming Service object groups, the following prerequisites apply:

- The Naming Service used must support the Orbix load balancing extensions to the Naming Service.
- The initial reference for the Naming Service must be available to the adapter either in the adapter's configuration file or via the command line at start-up.
- The object group must be predefined, so that the load balancing algorithm defined for each object group can be used—the load balancing algorithm might be round-robin, random, or some other custom load balancing algorithm.

Summary of rules

The following rules apply when mapping object references to a Naming service object group:

- An object group must be created for each object before the adapter is started; otherwise, the objects will not be exported. If you are unsure about the names of the object groups, start the adapter without any object groups created and check the error messages to see which object groups are needed.
- The object groups must then be bound to “objects”, so that clients can locate them. The fact that object groups are used is transparent to the clients.

- Each adapter must have a unique member name to ensure that it does not overwrite object group members created by other adapters.
- Members are only removed if the adapter shuts down normally; for example, by using an operator `stop` command, by using `itadmin mfa stop`, or by calling the `stop` operation on the adapter's `MappingGateway` interface.

Configuration

Both the `plugins:cicsa:object_publisher:naming_service:group:prefix` and `plugins:cicsa:object_publisher:naming_service:group:member_name` configuration items indicate that the adapter should write its object references to a Naming Service object group.

If a value of "" (that is, an empty prefix) is specified for `plugins:cicsa:object_publisher:naming_service:group:prefix`, the object references are written to object groups derived from the interface name only; otherwise, the prefix is attached to the derived names for each object group.

Note: The object groups must exist when the adapter is started. See the *Orbix Administrator's Guide* for details on how to create and specify nested Naming Service contexts.

The object reference for each interface is placed in the relevant object group, with the member name obtained from the `plugins:cicsa:object_publisher:naming_service:group:member_name` configuration variable. A unique member name must be specified for each adapter that is to use the set of object groups.

Object group name

The object group name used for each object bound into the Naming Service is derived from the module and interface name. First, all the module names are used and then the interface name, each separated by a colon. For example, the object group name for the interface for the `simple` demonstration is `Simple:SimpleObject`. If the prefix is not blank, it is attached to the start of each derived object group name before the object group is located in the naming service. The `MappingGateway` interface uses `IT_MFA` as the object group name.

rebind() function

The adapter uses `rebind()` to add the object references to the Naming Service, so any existing member in the object group is replaced.

Example

For example, consider the following configuration settings:

```
plugins:cicsa:object_publisher:naming_service:group:prefix =
  "group1_";
plugins:cicsa:object_publisher:naming_service:group:member_name
  = "adapter1";
plugins:cicsa:publish_all_iors = "yes";
plugins:cicsa:remove_ns_iors_on_shutdown = "yes";
```

Assuming the interface for the `simple` demonstration is the only one exported by the adapter, the following `itadmin` commands create object groups called `group1_IT_MFA`, `group1_IT_MFA_CICS:cicsraw`, and `group1_Simple:SimpleObject`:

```
itadmin nsog create -type rr group1_IT_MFA
itadmin nsog create -type rr group1_IT_MFA_CICS:cicsraw
itadmin nsog create -type rr group1_Simple:SimpleObject
```

Note: You can also create object groups via an equivalent piece of JCL.

Now, with the three round-robin object groups created, each needs to be bound to a context in the Naming Service, so that clients can locate the object references. For example, the following command creates a context called `testog`:

```
itadmin ns newnc testog
```

Each object group should be subsequently created in this context, using the following commands, so that clients can locate the objects:

```
itadmin nsog bind -og_name group1_IT_MFA testog/IT_MFA
itadmin nsog bind -og_name group1_IT_MFA_CICS:cicsraw
  testog/cicsraw
itadmin nsog bind -og_name group1_Simple:SimpleObject
  testog/simple
```

Based on the preceding command, the content of the `testog` context should now be listed as follows (when you specify an `itadmin ns list testog` command):

```
IT_MFA Object
cicsraw Object
simple Object
```

If a client now resolves one of the object references before any adapter is started, a nil object will be returned. For example, consider the following command:

```
itadmin ns resolve testog/cicsraw
```

If the preceding `itadmin` command is entered before an adapter is started, the following output is returned:

```
IOR:00000000000000001000000000000000
```

If the preceding `itadmin` command is entered after an adapter is started, the following output is returned:

```
IOR:0000000000000000254944...
```

Running simultaneous adapters

If more than one adapter is started, each time `resolve()` is used it gives a different object reference, based on the load balancing algorithm specified when the object group was created. If all the adapters are stopped normally and `plugins:cicsa:remove_ns_iors_on_shutdown` has been specified, `resolve` again returns a nil object reference.

Part 5

Securing and Using the Client Adapter

In this part

This part contains the following chapters:

Securing the Client Adapter	page 275
Using the Client Adapter	page 289

Securing the Client Adapter

This chapter provides details of security considerations involved in using the client adapter. It provides a review of general Orbix security implications and the relevant CICS security mechanisms. It describes the various security modes that the APPC-based client adapter supports, with particular emphasis on how each mode affects the existing CICS security mechanisms.

In this chapter

This chapter discusses the following topics:

Security Configuration Items	page 276
Common Security Considerations	page 281
APPC Security Considerations	page 283

Security Configuration Items

Overview

This section provides an example and details of how to configure the client adapter to run with Transport Layer Security (TLS) enabled. The sample configuration includes a `csiv2` sub-scope that highlights the configuration items required to propagate CSiv2 user/password credentials to CSiv2-enabled targets.

Sample configuration

[Example 13](#) provides an overview of the configuration items used to enable security with the client adapter.

Example 13: *Sample Security Configuration for Client Adapter (Sheet 1 of 3)*

```
plugins:security:share_credentials_across_orbs = "true";

# By default, use TLS V1.  Downgrade to SSL V3 if the remote
# peer is unable to support TLS V1.
policies:mechanism_policy:protocol_version = ["TLS_V1", "SSL_V3"];

# Please change the following if you have only export strength
# encryption available on the machine.
policies:mechanism_policy:ciphersuites = ["RSA_WITH_RC4_128_SHA",
                                          "RSA_WITH_RC4_128_MD5"];

plugins:systemssl_toolkit:saf_keyring
    = "%{LOCAL_SSL_USER_SAF_KEYRING}";

principal_sponsor:use_principal_sponsor = "true";
principal_sponsor:auth_method_id =      "security_label";

# By default, use the 'iona_services' certificate from the keyring
principal_sponsor:auth_method_data = ["label=iona_services"];

# By default the following policies are used to deploy a
# fully secure domain where client authentication is not required:
#
policies:target_secure_invocation_policy:requires =
    ["Confidentiality", "DetectMisordering",
     "DetectReplay", "Integrity"];
policies:target_secure_invocation_policy:supports =
```

Example 13: Sample Security Configuration for Client Adapter (Sheet 2 of 3)

```

["Confidentiality", "EstablishTrustInTarget",
 "EstablishTrustInClient", "DetectMisordering",
 "DetectReplay", "Integrity"];
policies:client_secure_invocation_policy:requires =
["Confidentiality", "EstablishTrustInTarget",
 "DetectMisordering", "DetectReplay", "Integrity"];
policies:client_secure_invocation_policy:supports =
["Confidentiality", "EstablishTrustInClient",
 "EstablishTrustInTarget", "DetectMisordering",
 "DetectReplay", "Integrity"];

iona_services
{
...
  cics_client
  {
    plugins:cicsa:iiop_tls:host = "%{LOCAL_HOSTNAME}";
    plugins:cicsa:iiop_tls:port = "5172";

    orb_plugins = ["local_log_stream", "iiop_profile", "giop",
                  "iiop_tls", "ots", "amtp_appc"];

    ots
    {
      orb_plugins = ["local_log_stream", "iiop_profile",
                    "giop", "iiop_tls"];
    };

    csiv2
    {
      # enable csiv2 authentication
      #

      orb_plugins = ["iiop_profile", "giop", "iiop",
                    "iiop_tls", "local_log_stream",
                    "ots", "gsp", "amtp_appc"];

      event_log:filters = ["IT_CSI=*", "IT_GSP=*",
                           "IT_IIOP_TLS=*",
                           "IT_MFA=INFO_HI+WARN+ERROR+FATAL"];

      binding:client_binding_list
        = ["OTS+TLS_Coloc+POA_Coloc",
           "TLS_Coloc+POA_Coloc",

```

Example 13: *Sample Security Configuration for Client Adapter (Sheet 3 of 3)*

```

        "OTS+POA_Coloc", "POA_Coloc",
        "CSI+OTS+GIOP+IIOP_TLS", "OTS+GIOP+IIOP_TLS",
        "CSI+GIOP+IIOP_TLS", "GIOP+IIOP_TLS",
        "CSI+OTS+GIOP+IIOP", "OTS+GIOP+IIOP",
        "CSI+GIOP+IIOP", "GIOP+IIOP"];

principal_sponsor:csi:use_principal_sponsor = "true";
principal_sponsor:csi:auth_method_id = "GSSUPMech";

# Provide the correct username, password, and domain
# for the user you would like to authenticate.
principal_sponsor:csi:auth_method_data = ["username=IONAAdmin",
                                          "password=admin",
                                          "domain=IONA"];

policies:csi:auth_over_transport:client_supports = ["EstablishTrustInClient"];

};
};

```

Summary of global scope configuration items

The following is a summary of the security-related configuration items associated with the global scope:

```
plugins:security:share_
  credentials_across_orbs
```

Enables own security credentials to be shared across ORBs. Normally, when you specify an own SSL/TLS credential (using the principal sponsor or the principal authenticator), the credential is available only to the ORB that created it. By setting this configuration item to "true", however, the own SSL/TLS credentials created by one ORB are automatically made available to any other ORBs that are configured to share credentials.

```
policies:mechanism_policy:
  protocol_version
```

Specifies the protocol version used by a security capsule (ORB instance). It can be set to `SSL_V3` or `TLS_V1`.

<code>policies:mechanism_policy: ciphersuites</code>	Specifies a list of cipher suites for the default mechanism policy.
<code>plugins:systemssl_toolkit: saf_keyring</code>	Specifies the RACF keyring to be used as the source of X.509 certificates. This must match the keyring you specified in the <code>GENCERT</code> JCL.
<code>principal_sponsor:use_principal_ sponsor</code>	This must be set to "true" to indicate that the certificate information is to be specified in the configuration file.
<code>principal_sponsor:auth_method_id</code>	This must be set to "security_label" to indicate that the certificate lookup should be performed using the label mechanism.
<code>principal_sponsor:auth_method_ data</code>	If you are using TLS security, this specifies the label that should be used to look up the SSL/TLS certificate in the SAF key store. The specified label name must match the label name under which the server certificate was imported into, or created in, the key store (for example, in RACF).
<code>policies:target_secure_ invocation_policy:requires</code>	Specifies the invocation policy required by the server for accepting secure SSL/TLS connection attempts.
<code>policies:target_secure_ invocation_policy:supports</code>	Specifies the invocation policies supported by the server for accepting secure SSL/TLS connection attempts.
<code>policies:client_secure_ invocation_policy:requires</code>	Specifies the invocation policy required by the client for opening secure SSL/TLS connections.
<code>policies:client_secure_ invocation_policy:supports</code>	Specifies the invocation policies supported by the client for opening secure SSL/TLS connections.
<code>orb_plugins</code>	The <code>iiop_tls</code> plug-in must be added to this list, to enable TLS support. Note: Remove the <code>iiop</code> plug-in if you explicitly wish to disable all insecure communications.

Note: See the *Mainframe Security Guide* for more details of these configuration items.

Summary of CSIV2 configuration items

The following is a summary of the configuration items associated with the `iona_services:cics_client:csiv2` security plug-in:

<code>orb_plugins</code>	The <code>csi</code> plug-in must be added to this list for CSIV2 credentials propagation. Note: The <code>iiop_tls</code> plug-in is a prerequisite for CSIV2 and must also be included if the <code>csi</code> plug-in is used.
<code>event_log:filters</code>	All CSIV2-specific messages (informational and otherwise) can be enabled by adding <code>"IT_CSI=*</code> " to this list.
<code>binding:client_binding_list</code>	Specifies a list of potential client-side binding chains. The CSI binding must be added to the relevant chains to effect CSIV2 credential propagation at invocation time.
<code>principal_sponsor:csi: use_principal_sponsor</code>	This must be set to <code>"true"</code> to indicate that the CSIV2 credential information is to be specified in the configuration file.
<code>principal_sponsor:csi: auth_method_id</code>	This must be set to <code>"GSSUPMech"</code> .
<code>principal_sponsor:csi: auth_method_data</code>	This list is used to specify the credentials information.
<code>policies:csi:auth_over_transport: client_supports</code>	This must be set to <code>"EstablishTrustInClient"</code> to indicate that the client is capable of propagating credentials.

Common Security Considerations

Overview

This section provides details of common security considerations involved in using the CICS client adapter. It discusses the following topics:

- [Orbix SSL/TLS](#)
- [iSF integration](#)
- [Principal propagation](#)

Orbix SSL/TLS

Orbix provides Transport Layer Security (TLS) that enables secure connectivity over IIOP. TLS includes authentication, encryption, and message integrity. As with all Orbix applications, you can configure the CICS client adapter to use TLS. See the *Mainframe Security Guide* for details on securing CORBA applications with SSL/TLS.

iSF integration

The IONA security framework (iSF) provides a common security framework for all Orbix components in your system. This framework is involved at both the transport layer (using TLS) and the application layer (using the CORBA CSiv2 protocol and the IONA generic security plug-in (GSP)). At the application level, in terms of the CICS client adapter, one of the following authentication credentials can be passed:

- username/password/domain name
- Single sign-on (SSO) token

You can configure the client adapter to use CSI/GSP support. See the *Mainframe Security Guide* for details on iSF and integration with an off-host Security service.

Principal propagation

By default, when an Orbix CICS client invokes a request via the client adapter, it passes the user ID of the running CICS transaction to the client adapter as part of the requesting message. The client adapter will then interact with the GIOP `Current` interface to set the outgoing principal identifier to this CICS user ID. If the GIOP plug-in has been configured appropriately, this ID is then sent as part of the CORBA request to the target server.

The following table highlights the pertinent GIOP configuration settings:

<pre>policies:giop:interop_policy: send_principal = "true";</pre>	<p>This instructs GIOP to propagate a principal value if one has been specified for the outgoing client request. For example, the <code>local_principal_as_string()</code> attribute in the <code>GIOP_Current</code> interface can be used to set a text-based user ID.</p>
<pre>policies:giop:interop_policy: enable_principal_service_context</pre>	<p>For GIOP 1.2, if this item is set to <code>"true"</code>, it instructs the client adapter to insert the outgoing principal string in a service context. This is required because the <code>CORBA::Principal</code> field is not available in the request header for GIOP 1.2 messages. The default value is <code>"false"</code>.</p>
<pre>policies:giop:interop_policy: principal_service_context_id</pre>	<p>This item specifies the service context ID into which the CICS client adapter attempts to insert the principal string, if <code>policies:giop:interop_policy:enable_principal_service_context</code> has been set to <code>"true"</code>. If this configuration setting is not specified, a default ID of <code>0x49545F44</code> is used to create the service context.</p> <p>Note: You cannot configure the default processing behavior of the client adapter. For example, setting the <code>use_client_principal</code> configuration item has no effect in this case. To customize the processing behavior of the client adapter (for example, to map the CICS user ID to a network ID), you can use the Orbix PDK to develop a client-side interceptor.</p>

APPC Security Considerations

Overview

This section provides details on how to secure the client adapter in an APPC environment. It discusses the following topics:

- [Overview of APPC security](#)
 - [APPC LU security](#)
 - [Define the CICS connection with BINDSECURITY](#)
 - [Define APPCLU RACF profiles](#)
 - [APPC conversation security](#)
 - [Controlling access to the client adapter LU](#)
 - [Controlling access to the CICS local LU](#)
-

Overview of APPC security

APPC/MVS provides the following levels of security:

- LU security
 - Conversation security
-

APPC LU security

The client adapter processes client transactions from CICS. Therefore, CICS should be allowed to establish sessions with the client adapter. Other APPC applications on the network, however, are not intended to process requests via the client adapter. In some environments it might be considered a security breach if any application other than CICS establishes an APPC connection with the client adapter.

To prevent applications other than CICS from establishing sessions with the client adapter, APPC LU security can be used. Enable APPC LU security by doing the following:

- Define the VTAM APPLs for the system base LU and the client adapter with the appropriate keywords
- Define the CICS CONNECTION with BINDSECURITY
- Define APPCLU RACF profiles
- Define VTAM APPLs with Security Keywords

For the system base LU, make sure the following keywords are defined on the VTAM `APPL` definition:

Table 8: *APPC LU Security System Base LU Keyword Definitions*

Keyword	Description
SECACPT=CONV	This keyword allows CICS to provide security information on a request to allocate a conversation. The security information includes the user ID making the request to allocate the conversation, the user's group ID, and an "already verified" indicator.
VERIFY=OPTIONAL	This setting makes the definition compatible with the client adapter.

For the client adapter LU, make sure the following keywords are defined on the VTAM `APPL` definition:

Table 9: *APPC LU Security Client Adapter LU Keyword Definitions*

Keyword	Description
SECACPT=CONV	Allows security information on the allocate request as described above.
VERIFY=REQUIRED	This keyword requires that a RACF <code>APPCLU</code> profile is defined for this LU and for any LU that attempts to establish a session with it. If RACF <code>APPCLU</code> profiles do not exist, the session cannot be established. If profiles do exist, the session keys in each profile must match; otherwise, the session cannot be established.

Define the CICS connection with BINDSECURITY

Setting `BINDSECURITY` on the CICS `CONNECTION` causes CICS to perform bind time security when attempting to establish sessions with the client adapter. Set `BINDSECURITY (YES)` on the `CONNECTION` definition. Refer to [“Bind Time Security with APPC” on page 84](#) for more information on bind time security and the prerequisites for its use.

Define APPCLU RACF profiles

The CICS local LU and the client adapter LU require RACF `APPCLU` profiles. The names have the following pattern:

```
NETID.LU01.LU02
```

`NETID` represents your network ID. `LU01` and `LU02` are the LU names to be secured. Each LU requires its own profile. The profile name in the preceding example would be for `LU01`. The profile name for `LU02` would be as follows:

```
NETID.LU02.LU01
```

Even though CICS makes use of the system base LU to establish sessions with the client adapter, it is not the LU that must be secured. The LU defined in the CICS `SIT APPLID` parameter is the LU that must be secured. The following is an example of defining the profiles for the CICS local LU and the client adapter LU:

```
RDEFINE APPCLU P390.CICSTS1.ORXLUCA1
UACC(NONE) SESSION(SESSION(137811C0) CONVSEC(ALREADYV))

RDEFINE APPCLU P390.ORXLUCA1.CICSTS1
UACC(NONE) SESSION(SESSION(137811C0) CONVSEC(ALREADYV))
```

To activate the profiles in RACF, use the following command:

```
SETROPTS CLASSACT(APPCLU)
```

To refresh the profile in VTAM, use the following VTAM command:

```
F VTAM,PROFILES,ID=CICSTS1
F VTAM,PROFILES,ID=ORXLUCA1
```

In the preceding example, `VTAM` is the name of the procedure used to start VTAM.

Note: Although APPC can be used for networked communication, the client adapter is only intended to be run on the same machine as the CICS region with which it is communicating.

APPC conversation security

There are three levels of conversation security:

- `security_none`
- `security_same`
- `security_pgm`

The Orbix runtime inside CICS uses `security_same` when allocating its conversations with the client adapter.

A conversation using `security_pgm` is not possible with the client adapter, because the Orbix runtime inside CICS has no access to client passwords.

APPC conversation security allows for:

- Controlling which users are permitted access to the client adapter LU
- Controlling which users are permitted to access the CICS local LU

Refer to [“LU 6.2 conversation security levels” on page 193](#) for more details on each conversation security level.

Controlling access to the client adapter LU

Some environments might want very strict controls regarding which users are permitted access to the client adapter. A RACF `APPL` class can be defined for the client adapter LU specifying a universal access of `NONE`. Individual users can then be permitted access to the client adapter LU.

An example of defining the RACF `APPL` class is as follows:

```
RDEFINE APPL ORXLUCA1 UACC(NONE)
```

Individual users can then be permitted access to the client adapter LU:

```
PERMIT ORXLUCA1 CLASS(APPL) ID(USER1) ACCESS(READ)
PERMIT ORXLUCA1 CLASS(APPL) ID(USER2) ACCESS(READ)
...
```

Activate the `APPL` class as follows:

```
SETROPTS CLASSACT(APPL) RACLIST(APPL)
```

Refresh the `RACLIST` as follows:

```
SETROPTS RACLIST(APPL) REFRESH
```

Controlling access to the CICS local LU

Access to the client adapter LU can be controlled by controlling access to the CICS local LU that wants to establish communications with the client adapter LU. The CICS local LU is considered an APPC port of entry and can be secured with the RACF `APPCPORT` class.

Define the `APPCPORT` profile for the CICS local LU as follows:

```
RDEFINE APPCPORT CICSTS1 UACC(NONE)
```

This profile defines a universal access of `NONE` to the system base LU. To permit access to users, use the RACF `PERMIT` command:

```
PERMIT MVSLU01 CLASS(APPCPORT) ID(USER1) ACCESS(READ)
PERMIT MVSLU01 CLASS(APPCPORT) ID(USER2) ACCESS(READ)
...
```

Activate the `APPCPORT` class as follows:

```
SETROPTS CLASSACT(APPCPORT) RACLIST(APPCPORT)
```

When changes are made to an `APPCPORT` profile, refresh the profile for the change to take effect:

```
SETROPTS RACLIST(APPCPORT) REFRESH
```


Using the Client Adapter

This chapter provides information on running and using the client adapter. It provides details on how to start and stop the client adapter, and also provides details on how to run multiple client adapters.

In this chapter

This chapter discusses the following topics:

Starting the Client Adapter	page 290
Stopping the Client Adapter	page 292
Running Multiple Client Adapters Simultaneously	page 293

Starting the Client Adapter

Overview

This section describes how to start the client adapter. It discusses the following topics:

- [Starting the client adapter on native z/OS](#)
- [Starting the client adapter on z/OS UNIX System Services](#)
- [Running with a different configuration scope](#)

Starting the client adapter on native z/OS

In a native z/OS environment, you can start the client adapter in any of the following ways:

- As a batch job.
- Using a TSO command.
- As a started task (by converting the batch job into a started task).

The default client adapter is the client adapter for which configuration is defined directly in the `iona_services.cics_client` scope, and not in some sub-scope of this. The following is sample JCL to run the default client adapter:

```
//CICSCA JOB ( ),
//      CLASS=A,
//      MSGCLASS=X,
//      MSGLEVEL=(1,1),
//      NOTIFY=&SYSUID,
//      REGION=0M,
//      TIME=1440
//*
//      JCLLIB ORDER=(HLQ.ORBIX62.PROCLIB)
//      INCLUDE MEMBER=(ORXVARS)
//*
//* Run the Orbix CICS Client Adapter
//*
//* Make the following changes before running this JCL:
//*
//* 1. Change 'SET DOMAIN='DEFAULT@' to your configuration
//*     domain name.
//*
//      SET DOMAIN='DEFAULT@'
```

```

/*
//GO EXEC PROC=ORXG,
//  PROGRAM=ORXCICSA,
//  PPARM='run -ORBname iona_services.cics_client'
//TYPEINFO DD DUMMY
//ITDOMAIN DD DSN=&ORBIXCFG(DOMAIN),DISP=SHR

```

Starting the client adapter on z/OS UNIX System Services

On z/OS UNIX System Services, you can start the client adapter from the shell. The following command is used to run the default client adapter:

```
$ itcicsca
```

Running with a different configuration scope

To run the client adapter with a different configuration scope:

- On native z/OS set the value of `PPARM` to the new scope, for example:

```
PPARM='-ORBname iona_services.cics_client'
```

- On z/OS UNIX System Services run a command similar to the following:

```
$ itcicsca -ORBname iona_services.cics_client
```

Refer to [“Running Multiple Client Adapters Simultaneously” on page 293](#) for more details on running multiple client adapters.

Stopping the Client Adapter

Overview

This section describes how to stop the client adapter. It discusses the following topics:

- [Stopping the client adapter on native z/OS](#)
- [Stopping the client adapter on z/OS UNIX System Services](#)

Stopping the client adapter on native z/OS

To stop a client adapter job on native z/OS, issue the `STOP (P)` operator command from the console.

Stopping the client adapter on z/OS UNIX System Services

To stop a client adapter process on z/OS UNIX System Services, use the `kill` command or press **Ctrl-C** if it is running in an active rlogin shell.

Running Multiple Client Adapters Simultaneously

Overview

This section describes how to run multiple client adapters simultaneously.

In this section

This section discusses the following topics:

Load Balancing with Multiple Client Adapters	page 294
Running Two Client Adapters on the Same z/OS Host	page 296

Load Balancing with Multiple Client Adapters

Overview

The client adapter is a multithreaded application that can concurrently service multiple requests. However, an installation can choose to run multiple client adapters to spread the workload over multiple address spaces.

This subsection discusses the following topics:

- [Load balancing scenario](#)
- [Graphical overview](#)
- [Load balancing scenario explanation](#)

Load balancing scenario

Suppose there are three CICS regions that might run client transactions to be processed via the client adapter. An installation might choose to run two client adapters to process the load. If one of the client adapters is stopped, the other can still service client requests from CICS.

Graphical overview

[Figure 9](#) illustrates the load balancing scenario.

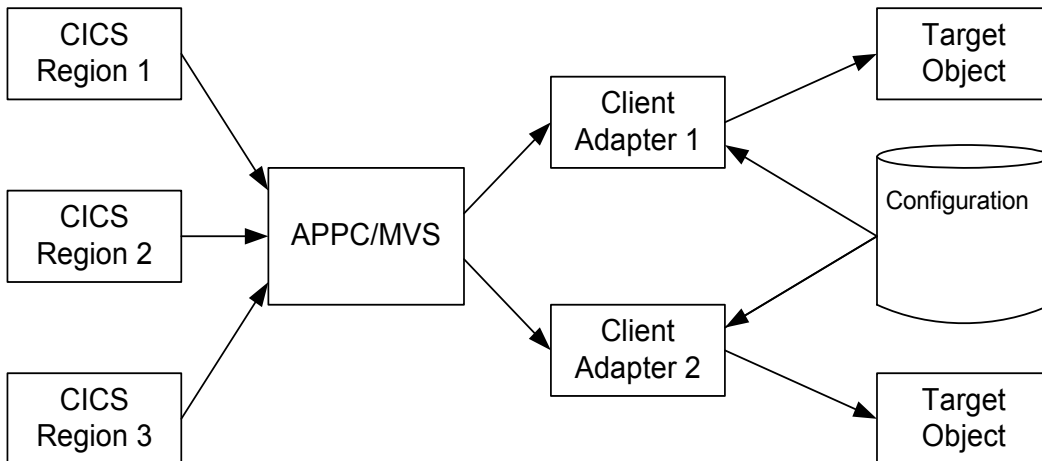


Figure 9: Graphical Overview of a Load Balancing Scenario

**Load balancing scenario
explanation**

Each CICS region contains an Orbix runtime. Each Orbix runtime has a configuration that specifies the same symbolic destination. The symbolic destination determines the client adapter that CICS client transaction requests are being directed to. From the CICS perspective, it appears as if there is only one client adapter running.

APPC/MVS processes the CICS client transaction requests. It queues the requests in an allocation queue. The allocation queue is determined by the symbolic destination. Because all CICS regions are using the same symbolic destination, CICS client transaction requests are directed to a single allocation queue.

Both client adapters are using the same configuration file and same configuration scope. Therefore, they are using the same symbolic destination, and share the same allocation queue that APPC/MVS uses for CICS client transaction requests. Each client adapter has one or more threads that are waiting for allocation requests from APPC/MVS, all from the same allocation queue.

APPC/MVS hands off an allocation request to a thread in one of the client adapters. Determining which thread to give an allocation request to is an internal function of APPC/MVS. Therefore, it is APPC/MVS that spreads the load over the two client adapters. If one of the client adapters is stopped, APPC/MVS hands off all allocation requests to the client adapter that is still running.

Running Two Client Adapters on the Same z/OS Host

Overview

An installation might choose to run a test and production client adapter on the same z/OS host. In this scenario, it is not desirable for the client adapters to share the APPC/MVS allocate queues.

This subsection discusses the following topics:

- [Running a test and production client adapter on the same host](#)
 - [Graphical overview](#)
 - [Setting up a test and production client adapter on the same host](#)
-

Running a test and production client adapter on the same host

Each CICS region contains an Orbix runtime. Each Orbix runtime has a configuration that specifies different symbolic destinations. The production CICS region is configured to communicate with the production client adapter. The test CICS region is configured to communicate with the test client adapter.

APPC/MVS processes the CICS client transaction requests. It queues the requests to separate allocation queues—one for the production client adapter using the production symbolic destination, and one for the test client adapter using the test symbolic destination.

Both client adapters are using the same configuration file but different configuration scopes. The configuration scopes can define different symbolic destinations. Therefore, the client adapters each have their own allocation queues.

Graphical overview

Figure 10 illustrates how two client adapters can run on the same z/OS host.

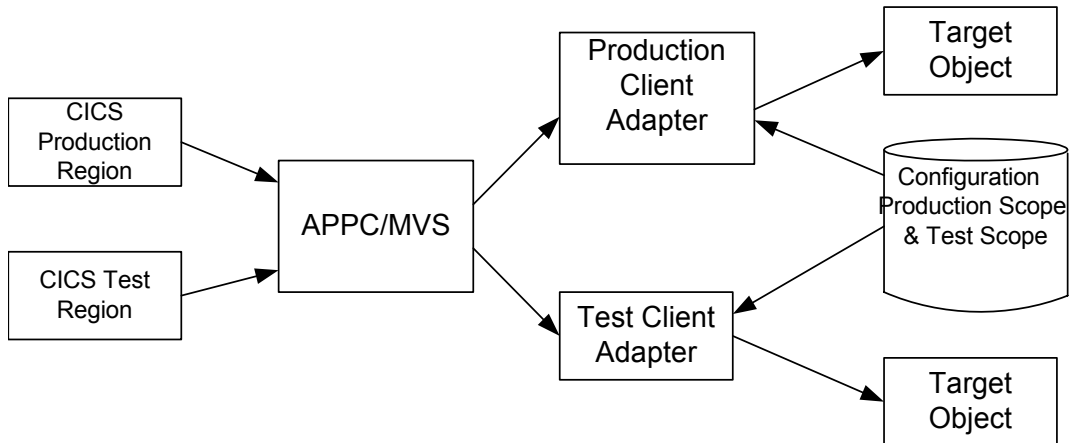


Figure 10: *Running Two Client Adapters on the Same z/OS Host*

Setting up a test and production client adapter on the same host

The steps to set up a test and production client adapter on the same z/OS host are as follows:

Step	Action
1	Define separate symbolic destinations in APPC/MVS for the test and production client adapters to use. Refer to “Defining an APPC Destination Name for the Client Adapter” on page 142 for more information on defining symbolic destinations.
2	Configure the Orbix runtime inside CICS for the test and production regions. The test region is configured with the test symbolic destination. The production region is configured with the production symbolic destination. Refer to “Customizing Orbix APPC Symbolic Destination” on page 169 for more information on configuring the symbolic destination.

Step	Action
3	<p>Define a test configuration scope in the client adapter configuration file such as <code>iona_services.cics_test_client</code>. The existing <code>iona_services.cics_client</code> configuration scope can be used for production. Set the test symbolic destination in the test configuration scope, and set the production symbolic destination in the production configuration scope. Refer to “APPC destination” on page 155 for more information on configuring the symbolic destination.</p>
4	<p>Start the production client adapter, specifying a configuration scope of <code>iona_services.cics_client</code>. Start the test client adapter specifying the test configuration scope defined in step 3 (that is, <code>iona_services.cics_test_client</code>). Refer to “Starting the Client Adapter” on page 290 for more information on running the client adapter with a different configuration scope.</p>

Part 6

Appendices

In this part

This part contains the following chapters:

Troubleshooting	page 301
Glossary of Acronyms	page 305

Troubleshooting

This chapter provides an overview of the MCLOOKUP utility that can be used for troubleshooting.

In this chapter

This chapter discusses the following topics:

Overview	page 302
Starting the MCLOOKUP utility on native z/OS	page 302
Starting the MCLOOKUP utility on z/OS UNIX System Services	page 303

Overview

The `MCLOOKUP` utility is supplied with your Orbix Mainframe installation and can be used to perform lookups on system exception minor codes. It serves as a troubleshooting tool in cases where an errant CORBA application reports a minor code but does not display a useful message.

Starting the `MCLOOKUP` utility on native z/OS

In a native z/OS environment, you can start the `MCLOOKUP` utility using the following sample JCL:

Note: In the following example, a minor code value of `0x49540102` is passed across to `MCLOOKUP` for investigation.

```
//MCLOOKUP JOB      (),
//          CLASS=A,
//          MSGCLASS=X,
//          MSGLEVEL=(1,1),
//          NOTIFY=&SYSUID,
//          REGION=0M,
//          TIME=1440
//**
//          JCLLIB ORDER=(HLQ.ORBIX62.PROCLIB)
//          INCLUDE MEMBER=(ORXVARS)
//**
/** Run the Minor Code Lookup utility
/**
/** Please customise the search criteria via the PPARM variable
/** before running this utility
/**
/** Usage:
/**  MCLOOKUP .query options.
/**
/** Query options (include a subset of the following):
/**  -mcv/-minor_code_value .val.  Specify minor code value
/**                               as search criteria
/**  -exn/-exception_name .val.   Specify exception name
/**                               as search criteria
/**  -sbn/-subsystem_name .val.   Specify subsystem name
/**                               as search criteria
/**  -mcn/-minor_code_name .val.  Specify minor code name
/**                               as search criteria
/**
/** Examples:
/**  MCLOOKUP -mcv 0x49540102
/**  MCLOOKUP -mcv 1230242050 -exn TRANSIENT
```

```
//*  
//*  
//GO EXEC PROC=ORXG,  
// PROGRAM=ORXMCLUP,  
// PPARM='-mcv 0x49540102'
```

Starting the MCLOOKUP utility on z/OS UNIX System Services

On z/OS UNIX System Services, use the following command to run the MCLOOKUP utility:

```
mcllookup -mcv minor_code
```

For example:

```
mcllookup -mcv 0x49540102
```


Glossary of Acronyms

This glossary provides an expansion for each of the acronyms used in this guide.

For more details of each of these terms, refer to the following, as appropriate:

- The IBM documentation series at <http://www.ibm.com>.
- The OMG CORBA specification at <http://www.omg.org>.
- The Sun Microsystems J2EE specification at <http://www.sun.com>.

Table 10: *Glossary of Acronym Extensions*

Acronym	Extension
ACB	Access Control Block
ACEE	Accessor Environment Entry
APAR	Application Program Authorized Report
APPC	Advanced Program to Program Communication
ASCII	American National Standard Code for Information Interchange
CICS	Customer Information Control System
CORBA	Common Object Request Broker Architecture

Table 10: *Glossary of Acronym Extensions*

Acronym	Extension
CSD	CICS System Definition Data Set
DASD	Direct Access Storage Device
DLL	Dynamic Link Library
EBCDIC	Extended Binary-Coded Decimal Interchange Code
EJB	Enterprise Java Beans
GIOP	General Inter-ORB Protocol
HFS	Hierarchical File System
IDL	Interface Definition Language
IFR	Interface Repository
IIOB	Internet Inter-ORB Protocol
IOR	Interoperable Object Reference
IPL	Initial Program Load
IRC	Inter Region Communication
JCL	Job Control Language
LE	Language Environment
LU	Logical Unit
MVS	Multiple Virtual Systems
OMG	Object Management Group
OMVS	Open Multiple Virtual Systems
ORB	Object Request Broker
OTS	Object Transaction Service
PADS	Program Access to Data Sets
PCB	Program Control Block

Table 10: *Glossary of Acronym Extensions*

Acronym	Extension
PDS	Partitioned Data Set
PSB	Program Specification Block
RACF	Resource Access Control Facility
RRS	Resource Recovery Services
SAF	System Authorization Facility
SNA	System Network Architecture
SPA	Save Program Area
TCP/IP	Transmission Control Protocol over Internet Protocol
TP	Transaction Program
TPN	Transaction Program Name
TSL	Transport Security Layer
TSO	Time Sharing Option
UACC	Universal Access Authority
USS	UNIX System Services
VTAM	Virtual Telecommunications Access Method
XCF	Cross Coupling Facility
WFI	Wait For Input
WTO	Write-To-Operator

Index

A

- ACBNAME= parameter 81, 146
- amtp_appc plug-in configuration items 129
- AMTP function timeout 155
- APF authorization 100
- APPC/MVS side information dataset, specifying 140
- APPC data segment length 89
- APPC destination 155
- APPC destination name 78, 88, 142
 - multiple 143
- APPCLU class profiles 81
 - format 196
- APPCLU profile name 85
 - and LU name 77
- APPCLU profiles 152
- APPCLU profiles, user IDs 85
- APPCLU RACF definitions 84
- APPCLU RACF profiles, defining 285
- APPC maximum communication threads 156
- APPC minimum communication threads 156
- APPCPORT profile
 - CICS local LU 287
- APPC resources to CICS 150
- APPC-side information data set example 78
- APPL class, Client Adapter LU 286
- APPLID 72
- ASCII-to-EBCDIC translation 30
- ATBSEDFMU utility program 78
- ATTACHSEC(IDENTIFY) 71
- ATTACHSEC operand, specifying 87

B

- BINDSECURITY 284
- bind time security 84
 - CONNECTION resource 197
- BPX.SERVER 107
 - and Adapter user ID 110
- BPX.SRV.* resource 110
- BPX.SRV.userid resource 110
- ByteSegments attribute 30

C

- C++ demonstration for cicsraw 33
- C++ standard classes support 114
- CEDA transaction 70
- CharSegments attribute 30
- CICS
 - configuring inside 164
 - customizing 114
 - defining APPC resources to 82
- cicsa plug-in configuration items 46, 103
- cics_appc plug-in configuration items 52
- CICS APPLID 72
- CICS commit processing 46
- CICS connection name 72
- CICS Connection Type 72
- CICS connection type 72
- cics_exc1 plug-in configuration items 52
- CICS local LU 139
 - access to 154, 287
- CICS mirror transaction ID, default 73
- CICS pseudo-region 186
- cicsraw IDL interface 26, 27
 - ByteSegments attribute 30
 - C++ demo client 33
 - CharSegments attribute 30
 - CICS mirror transaction ID 73
 - din parameter 30
 - modifications to 26
 - run_program_binary operation 30
 - run_program_binary_with_tran operation 31
 - run_program operation 30
 - run_program_with_tran operation 31
 - tran_name parameter 30
- CICS resource definitions
 - installing 115
- CICS resources, access permissions 71
- cics_rrs plug-in configuration items 53
- CICS security mechanisms
 - for APPC 193
 - for EXCI 185
- CICS system initialization parameters 187
- CICS transaction-attach security 187
- Client Adapter

APPC security 283
 change configuration scope 291
 characteristics 35
 configuration scope 127
 functions 36
 graphical overview 38
 load balancing 294
 LU-LU security 152
 multiple on same host 296
 plug-ins 129
 starting 290
 stopping 292
 Client Adapter LU 140
 access to 154, 286
 client_principal support configuration items 103
 client Principal value 182
 z/OS user IDs 183
 clients 7, 9
 authentication 182
 invoking on CORBA objects 11
 client stub code 10
 COMMAREA block size 73
 COMMAREA length, maximum 31
 Configuration domains 18
 configuration file 227
 CONNECTION resource
 ATTACHSEC operand 87
 bind security 197, 284
 BINDSECURITY option 84
 conversation security 286
 CONVSEC setting 85
 CORBA 5
 application basics 10
 introduction to 4
 CORBA::Principal 103
 SAF plug-in 182
 CORBA gateway to the CICS system 10
 CORBA objects 7
 and IDL 8
 client invocations on 11
 coupling facility log streams 94
 CSD group DFH\$EXCI 69
 CSECT 116, 166

D

DASD-only log streams 94
 data types defined in cicsraw 29
 default security mode for APPC 198
 default security mode for EXCI 189

DESTNAME 79, 143
 DFH\$EXCI 69
 DFHCSD DD cards 82
 DFHCSDUP, running 70, 115
 din parameter 30
 do_trans() operation 26

E

EBCDIC, translating from ASCII 30
 EPERM errors 110
 errors, EPERM 110
 event_log
 filters
 Client Adapter 133
 event_log filters 60
 event logging 60, 116, 166
 Client Adapter 133
 event logging settings 166
 exception information
 for APPC 32
 for EXCI 33
 exceptions
 address space 110
 defined in cicsraw 29
 EXCI
 default security mode 189
 user security 187
 EXCI GENERIC connection
 type 72
 update access 186
 EXCI limitation on request size 73
 EXCI mirror transaction
 Adapter default mode 71
 ID 73
 user security enables 71

G

GIOP, client_principal support 103
 global configuration scope 29

H

host name 58

I

IDL compiler 10
 -mfa plug-in 120
 operation parameters 11

- IDL interfaces 8
 - for CICS Adapter 26
 - location for Adapter 25
 - IDL operations 11
 - adapter processing of 25
 - COMMAREA block length 73
 - parameter-passing modes 11
 - IEFSSNxx member 99
 - IFR 18, 207
 - modifications to and Server Adapter 212, 221
 - registering IDL interfaces 209
 - running in prepare mode 225
 - IFR signature cache file 214
 - configuration 64, 158
 - runtime modifications 215
 - updating 215
 - IIOF 5
 - cicsa plug-in configuration 47
 - client_principal configuration 105
 - mapping gateway interface 234
 - TCP-IP port number 58
 - timestamps 63
 - initial_references:IT_cicsraw:plugin 46, 60
 - initial_references:IT_RRS:plugin 100
 - Interface Definition Language See IDL
 - Interface Repository See IFR
 - iona_services.cicsa configuration scope example 42
 - iona_services.mfu configuration scope 126
 - iordump utility 232
 - IORs 18
 - and itmfaloc 238
 - IT_MFA 227
 - IT_MFA_CICSRAW 227
 - locating Server Adapter 237
 - mapping gateway interface 234
 - POA prefix 63
 - sample 228
 - transactional processing support 92
 - IRC, enabling 69
 - IRC parameter 69
 - IsDefault 121
 - itadmin commands 233
 - itadmin mfa refresh command 213
 - itcicsa shell script 110
 - IT_MFA_CICS module 26
 - IT_MFA event logging subsystem 60
 - itmfaloc 237
 - format 238
 - using 239
 - IT_MFU event logging subsystem 133
 - IXCL1DSU 94
 - IXCMIAPU utility 98
- L**
- Language Environment Support 114
 - link security 87, 187
 - Location domains 17
 - locator 18
 - running Adapter in prepare mode 225
 - LOGR couple data set 96, 97
 - log streams
 - defining 98
 - IBM recommended sizes 95
 - running 95
 - types 94
 - LU=LOCAL conversations
 - security settings for 81
 - LU 6.2
 - and Adapter usage 194
 - connection to a remote system 84
 - conversation security levels 193
 - LU-LU security verification 152
 - LU-LU session-level verification 81
 - LU names
 - APPC destination 88
 - outbound LU 88
 - restricting use of 196
 - specifying 77
 - user access 86
 - LUs
 - access to 286
 - CICS local 139
 - Client Adapter 140
 - defined to VTAM 145
 - outbound 193
 - protecting 154
 - VTAM requirements for 80
 - LU security 283
- M**
- mapping file 25
 - errors 214
 - format 201
 - generating 203
 - IDL attribute support 202
 - runtime modifications to 205
 - Mapping Gateway interface 234

- maxCommareaSize attribute 31
- MCLOOKUP utility 301
- MFACLINK JCL member 117
- MFAMappingExtension 121
- MFAMappings 120
- MFAMappingSuffix 122
- mfa plug-in
 - options 235
 - using 234
- MODENAME 143
- MODENAME parameter 79
- MRO connect security 186
- MRO logon security 186

N

- naming clashe 29
- NETNAME of a CICS-specific EXCI connection 72
- networked environment, controlling access 194
- node daemon 17
 - running Adapter in prepare mode 225
- numeric data corruption 30

O

- object ID 15
- object key 63
- object references 8, 14
 - and the POA 15
 - map to servants 15
- ORB (Object Request Broker)
 - and the naming service 15
 - locating objects 18
- ORB_init() 62
- Orbix 5
- Orbix application 14
- Orbix CICS resource definitions, installing 70
- Orbix configuration inside CICS 164
- Orbix event logging 60
- Orbix runtime in CICS 116, 166
 - parameter-passing modes 11
- Orbix security mechanisms 182
- ORB-level plug-ins 62
- ORBname 42
 - Client Adapter 126
 - multiple adapters 233
- orb_plugins 62
 - Client Adapter 135
- ORX1 session 70
- ORXLU02 profile 86

- ORXMFAcX DLL 117, 167
 - segment size 168
- OTS plug-in 62
- outbound LU 193

P

- parameter-passing mode qualifiers 11
- PARTNER_LU 79, 143
- partner LU 81
- passwords
 - and session keys 81
 - partner LU 81
 - processing requests without 107
- persistence mode policy 58
- plugins:amtp_appc:function_wait 155
- plugins:amtp_appc:max_comm_threads 156
- plugins:amtp_appc:maximum_sync_level 156
- plugins:amtp_appc:min_comm_threads 156
- plugins:amtp_appc:symbolic_destination 155
- plugins:cicsa:alternate_endpoint 59
- plugins:cicsa:direct_persistence 58
- plugins:cicsa:display_timings 63
- plugins:cicsa:ifr:cache 64
- plugins:cicsa:iiop:host 58
- plugins:cicsa:iiop:port 58
- plugins:cicsa:mapping_file 64
- plugins:cicsa:poa_prefix 63
- plugins:cicsa:repository_id 64
- plugins:cicsa:type_info:source 65
- plugins:cicsa:use_client_password 105
- plugins:cicsa:use_client_principal 104
 - security 189, 198
- plugins:cicsa:use_client_principal_user_security 104
- plugins:cics_appc:appc_outbound_lu_name 77, 81, 88
- plugins:cics_appc:cics_destination_name 79, 88
- plugins:cics_appc:segment_length 89
- plugins:cics_appc:timeout 88
- plugins:cics_exci:applid 72
- plugins:cics_exci:check_if_cics_available 73
- plugins:cics_exci:default_tran_id 73
 - link security 187
- plugins:cics_exci:max_comm_area_length 73
- plugins:cics_exci:pipe_name 72, 186
- plugins:cics_exci:pipe_type 72
- plugins:client_adapter:ifr:cache 158
- plugins:client_adapter:repository_id 158
- plugins:client_adapter:type_info:source 159

- plugins:rrs:rmname 100
- POA (Portable Object Adapter) 15
- POA prefix used by adapter 63
- policies:giop:interop_policy
 - enable_principal_service_context 105
 - principal_service_context_id 106
- policies:iiop:client_version_policy 105
- policies:iiop:server_version_policy 105
- pragma prefix 29
- PREPCICA member 225
- PresetOptions 121
- principal values, mapping to z/OS user IDs 183
- proxy objects 11
- pthread_security_np() 109

R

- RACF 193
- RACF APPCPORT profiles, creating 86
- RACF FACILITY class profile
 - READ access 186
 - update access 186
- RACF GCICSTRN resource class 187
- RACF SURROGAT class 110
- RACF TCICSTRN resource class 187
- RACF user profile 107
- RECEIVECOUNT 70
- refreshInterface() 222
- refreshOperation() 222
- resource manager names 100
- RESSEC= parameter 187, 189
- RRS
 - setting up 93
 - starting and stopping 99
- run_program 30
- run_program_binary 30
- run_program_binary_with_tran 31
- run_program_with_tran 31

S

- S390 Assembler Program Variables 165
- SAF Plug-In 182
- sample applications 10
- SEC= parameter 84
- SECACPT=CONV key 195
- SECACPT= parameter 81, 146
- SECPRFX=YES 71
- security
 - APPC-based considerations 191

- common considerations 181
- default mode 189
- default mode APPC 198
- EXCI-based considerations 184
- link 87, 187
- MRO connect 186
- MRO logon 186
- use_client_principal mode 189
- user 87, 187
- security modes
 - default for APPC 198
 - default for EXCI 189
- security_none 193, 195
- security_pgm 194
- security_same 194, 195, 196
- segment size, customizing 168
- Server Adapter
 - access to 194
 - and logged on users 195
 - APPC based 193
 - APPC security modes 198
 - default mode EXCI requirements 71
 - first run 214
 - functions 22
 - graphical overview 24
 - locating 237
 - obtaining type information 25
 - old versions of 26
 - ORBname 42
 - plug-ins 46
 - programmed controlled 110
 - running in default mode 71
 - running multiple 232
 - security for users already logged on 195
 - security modes 188
 - starting 229
 - stopping 231
 - using type_info store 217
- servers 7, 9
- session key
 - bind requests 84
- session key, APPCLU profile name 85
- session keys 81
- session-level verification 195, 196
- session security, specifying 84
- SETRRS CANCEL command 99
- SETSSI ADD,SUBNAME=RRS command 99
- SETXCF operator commands 97
- skeleton code 10

INDEX

- SNA network
 - access to 81
 - and LUs 80
- SPECIFIC connection type 72
- S RRS command 99
- STEPLIB 82
 - updating CICS region 115
- SURROGAT RACF class 107
- SYS1.MIGLIB 98
- SYS1.SAMPLIB(ATBAPPL) definition 80, 145
- System Logger and RRS 95

T

- thread IDs 64
- thread-level security environments 107
- thread_pool
 - high_water_mark 53
 - and RECEIVEDCOUNT 70
 - initial_threads 53
- thread_pool:high_water_mark 59
- thread_pool:initial_threads 59
- timestamps 63
- TPNAME 79, 143
- tran_name parameter 30
- transaction processing times 63
- troubleshooting 301
- TypeinfoFileExtension 121
- TypeinfoFileSuffix 121
- type information mechanism 64
- type_info store
 - configuration 65, 159
 - generating files 219
 - introduction 217

U

- user ID
 - and access to BPX.SERVER 110
 - and ATTACHSEC=LOCAL 87
 - BPX.SERVER 107
 - for APPCLU profiles 85
 - UPDATE access 186
- user security 87, 187
 - enabled on EXCI 71

V

- VERIFY= parameter 81, 147
- VSAM data set name, specifying 77
- VTAM SECACPT= setting 85

W

- WTO announce plug-in 61, 62, 135

X

- XAPPC= parameter 84
- XPPT= parameter 187

Z

- z/OS user ID 182